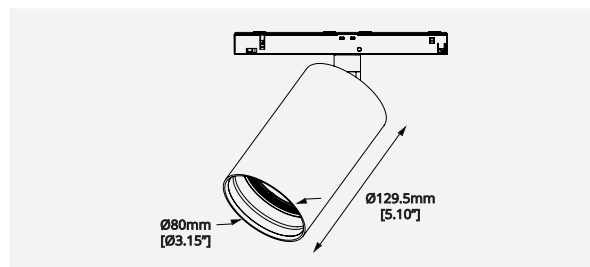


SOLO 20



OVERVIEW

Solo 20 Warm Dim brings the ambiance and warmth of traditional Halogen dimming into the modern age, with the added control and efficiency of advanced LED technology. As the fixture is dimmed, its colour temperature shifts smoothly from neutral 3,000K to a candlelight-like 1,800K, creating a cozy, inviting atmosphere. Powered by on-board intelligence within the fixture, Solo 20 Warm Dim is the perfect choice for residential, hospitality, or any space where mood-setting and warmth are key priorities.

KEY FEATURES

- Colour temperature becomes warmer with dimming
- No additional controls required for Warm Dim function
- Concealed hinge with 360° lockable pan, and 90° Tilt
- High output single source light engine
- Customisable with a range of optical accessories and holders
- Adapted for use with Stucchi Multisystem Evo 48V track

PERFORMANCE SUMMARY

	WARM DIM			
	Narrow	Medium	Wide	V. Wide
FWHM	21°	27°	38°	57°
Luminous Flux*	1,933 lm	1,765lm	1,790 lm	1,890 lm
Peak Intensity	11,335 Cd	6,820 Cd	4,289 Cd	2,294 Cd
CCT Range	1800 - 3000K			
CRI Min.	CRI 90			
Drive Current	700 mA			
Nom. Voltage	36 V			
Max. Wattage	25.4 W			
Max. Efficacy	82.8 lm/W			
Driver Type	Constant Current Remote			
Class	SELV Class III			

* Luminous Flux @ 3000K as delivered

ORDERING CODES

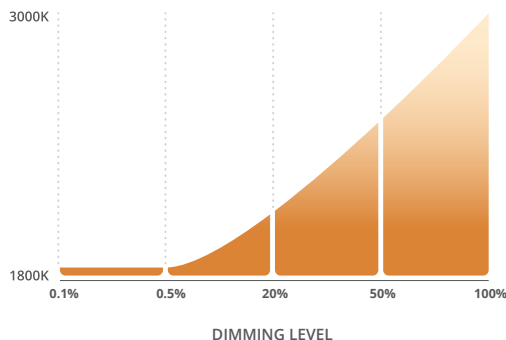
Luminaire:

Base Code	Engine	Track Adapter	Fixture Finish	CCT & CRI	Beam Angle	Driver*
1122		-				
	W Warm Dim	B Black T Traffic White	A Brushed Aluminium B Black T Traffic White R Rubbed Bronze P Polished Brass S Brushed Brass	W01 1800 - 3000K CRI 90 Min.	NA Narrow ME Medium WD Wide VW Very Wide	A 0-10V D DALI

* LED Driver integral to track adapter
48V PSU required to energise track system - see page 5

WARM DIM TECHNOLOGY

Precision's Warm Dim technology utilises fixture-integrated electronics that warm the colour temperature of the light as it dims; combining the beauty of Halogen with the efficacy of LEDs.



LIFETIME + ENVIRONMENTAL

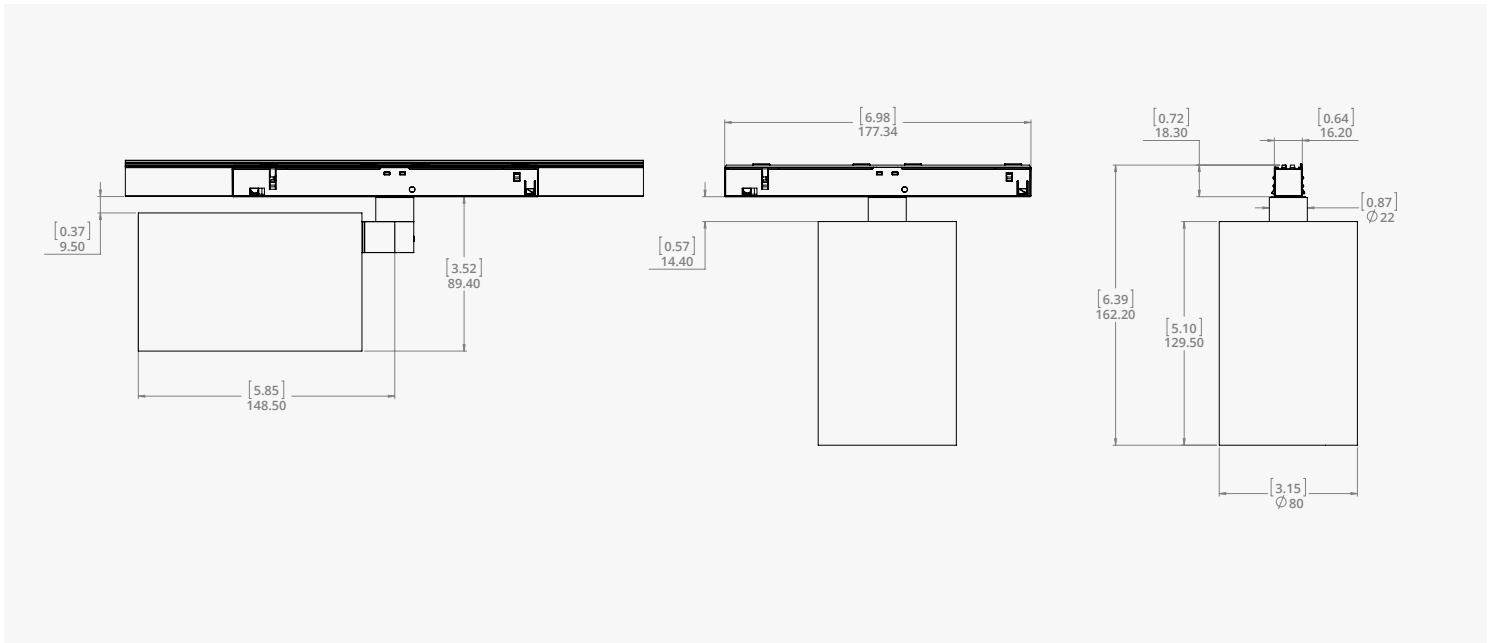
At Precision, we design and engineer our products with longevity in mind. Many of the components that make up our light fixtures are both modular, and re-usable, making it possible to service and repair them throughout their life in service. Once our products reach the end of their useful life, it is possible to re-work and renew them in to a new product. We prioritise the use of recyclable materials in both our products and packaging, and encourage our customers to engage responsibly in the correct disposal of any materials we supply.

WARM DIM

UK PART L

Part L1A / L1B (Dwellings)	●
Part L2A (General)	○
Part L2A (Display)	●
CIBSE TM65	28.023 Kg/CO ₂ e
CIBSE TM66	2.4

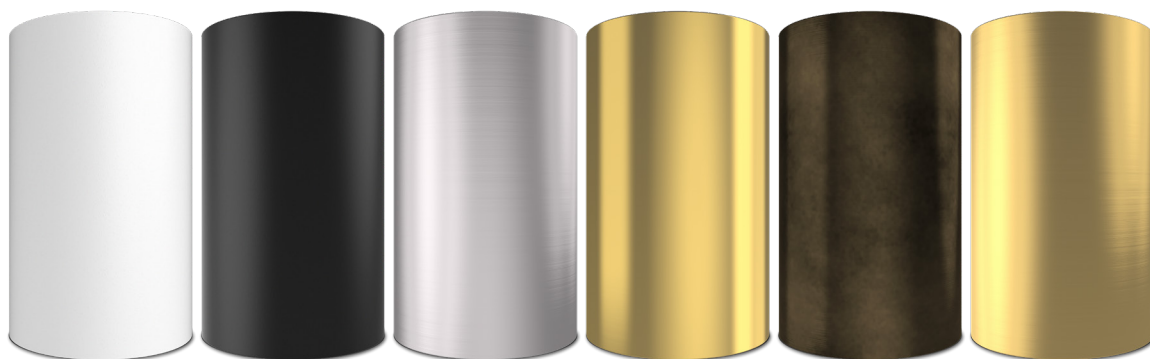
DIMENSIONS



MECHANICAL

Location	IP20 Indoor Dry Location Only
Mounting	Surface plate with decorative cover
Adjustability	360° Lockable Pan 90° Tilt
Material	Aluminium 6063 or Brass H59
Weight	0.80 Kg [1.76 lbs] or 1.38 Kg [3.04 lbs]

FINISHES



TRAFFIC WHITE
RAL 9016

BLACK
RAL 9005

BRUSHED
ALUMINUM

POLISHED
BRASS

RUBBED
BRONZE

BRUSHED
BRASS

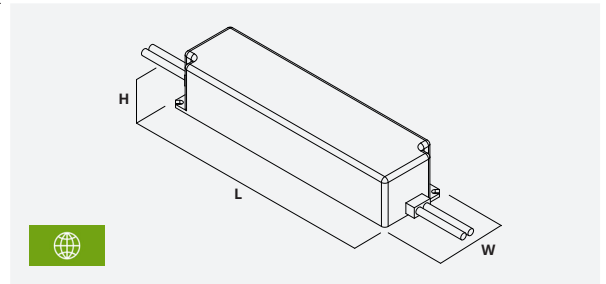
TRACK 48V PSU SELECTION

Remote | 100W

Input Voltage	230 VAC 50/60 Hz
Output Voltage	48 VDC
Driver Type	Remote Constant Voltage
Location	IP20 Indoor Dry Location Only
Usage Region	International

WARM DIM

Compatibility	
Max. Fixtures	3
Order Code	PSCV-100-48-N1-MW



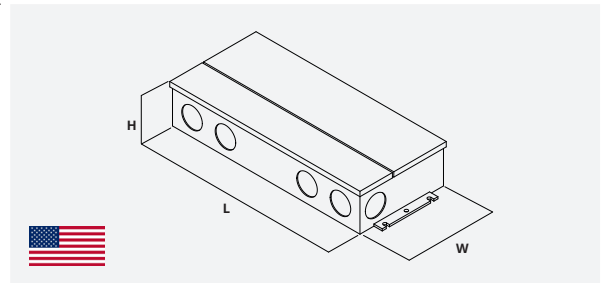
	L	W	H
mm	190	52	37
in	7.48	2.05	1.46

Remote | 96W

Input Voltage	120 - 277 VDC
Output Voltage	48 VDC
Driver Type	Remote Enclosure Constant Voltage
Location	IP20 Indoor Dry Location Only
Usage Region	North America Only

WARM DIM

Compatibility	
Max. Fixtures	3
Order Code	USCV-96-48-N1-SC-EN

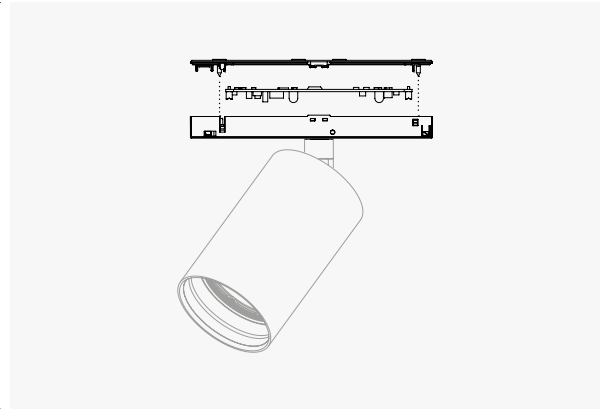


	L	W	H
mm	153	76.2	30.5
in	6.0	3.0	1.2

FIXTURE | INTEGRATED DRIVER DATA

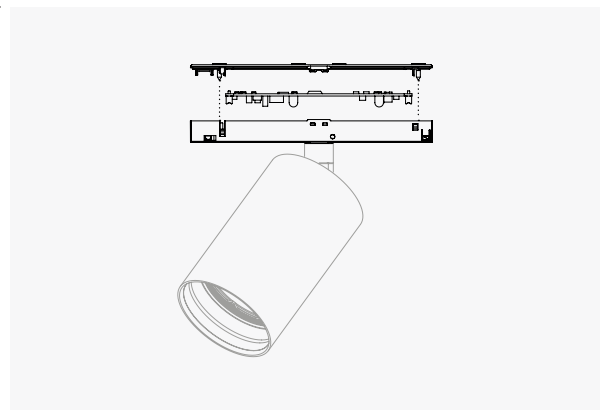
Fixture Integrated | 32W | 0-10V

Input Voltage	48 VDC
Dimming Control	0-10V
Min. Dim Level	0.5%
Flicker	No Observable Effect
Driver Type	Integral Constant Voltage
Location	IP20 Indoor Dry Location Only
Hotplug Protection	Yes



Fixture Integrated | 32W | DALI DT6

Input Voltage	48 VDC
Dimming Control	DALI
Min. Dim Level	0.1%
Flicker	IEEE P1789 Compatible No Observable Effect
Driver Type	Integral Constant Voltage
Location	IP20 Indoor Dry Location Only
Hotplug Protection	Yes



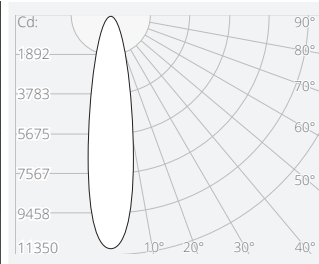
* Integrated driver is non-removable | data provided for information only

PHOTOMETRY DIAGRAMS

WARM DIM

Narrow | 21° Beam

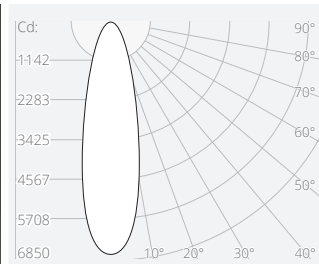
FWHM	21°
Delivered Flux	1,933 lm
Peak Intensity	11,335 Cd
UGR	UGR 10



Distance	Beam Diameter	Beam Area (lx)	Beam Area (fc)	Height (ft)	Height (m)
1m	0.37m	11335lx	1259fc	1.1ft	0.37m
2m	0.74m	2834lx	315fc	2.2ft	0.74m
3m	1.11m	1259lx	140fc	3.3ft	1.11m
4m	1.48m	708lx	79fc	4.4ft	1.48m
5m	1.85m	453lx	50fc	5.6ft	1.85m

Medium | 27° Beam

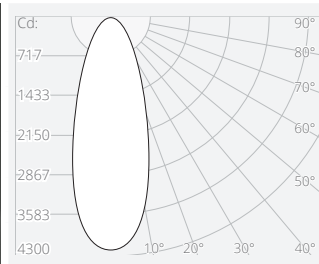
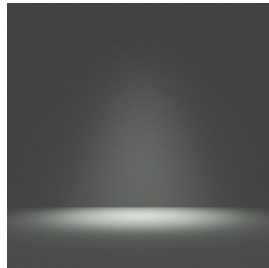
FWHM	27°
Delivered Flux	1,765 lm
Peak Intensity	6,820 Cd
UGR	UGR 12.9



Distance	Beam Diameter	Beam Area (lx)	Beam Area (fc)	Height (ft)	Height (m)
1m	0.48m	6820lx	758fc	1.4ft	0.48m
2m	0.96m	1705lx	189fc	2.9ft	0.96m
3m	1.44m	758lx	84fc	4.3ft	1.44m
4m	1.92m	426lx	47fc	5.8ft	1.92m
5m	2.40m	273lx	30fc	7.2ft	2.40m

Wide | 38° Beam

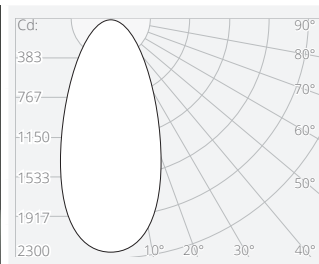
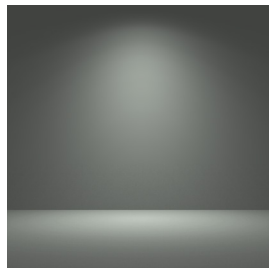
FWHM	38°
Delivered Flux	1,790 lm
Peak Intensity	4,289 Cd
UGR	UGR 12.6



Distance	Beam Diameter	Beam Area (lx)	Beam Area (fc)	Height (ft)	Height (m)
1m	0.69m	4289lx	477fc	2.1ft	0.69m
2m	1.38m	1072lx	119fc	4.1ft	1.38m
3m	2.07m	477lx	53fc	6.2ft	2.07m
4m	2.75m	268lx	30fc	8.3ft	2.75m
5m	3.44m	172lx	19fc	10.3ft	3.44m

Very Wide | 50° Beam

FWHM	50°
Delivered Flux	1,890 lm
Peak Intensity	2,284 Cd
UGR	UGR 20



Distance	Beam Diameter	Beam Area (lx)	Beam Area (fc)	Height (ft)	Height (m)
1m	0.93m	2294lx	255fc	2.8ft	0.93m
2m	1.87m	574lx	64fc	5.6ft	1.87m
3m	2.80m	255lx	28fc	8.4ft	2.80m
4m	3.73m	143lx	16fc	11.2ft	3.73m
5m	4.66m	92lx	10fc	14.0ft	4.66m

All diagrams and data as measured @ 3000K

PERFORMANCE SCALING BY CCT

CCT	Output Multiplier	Colour Consistency
1800K	x0.02	5 SDCM
2000K	x0.10	↑ 3 SDCM
2400K	x0.45	
2700K	x0.73	
3000K	x1.00	

Digital photometric files available as .LDT format.

Contact your sales rep or visit www.luminii.com for more information.



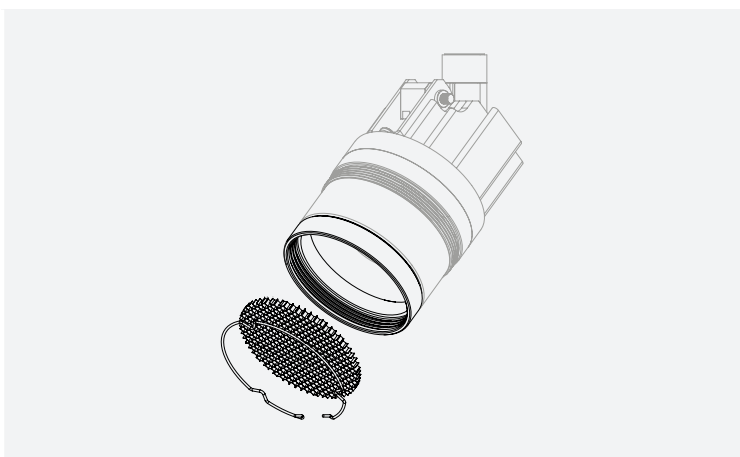
PRODUCT ANATOMY



**Optical accessories ordered separately*

- 1 High Output COB Light Engine with Warm Dim technology
- 2 Interchangeable Colour Mixing TIR Optic
- 3 Integral Double Accessory Holder
- 4 Range of Optical Accessories
- 5 Accessory Retention Clip

INTEGRATED ACCESSORY HOLDERS



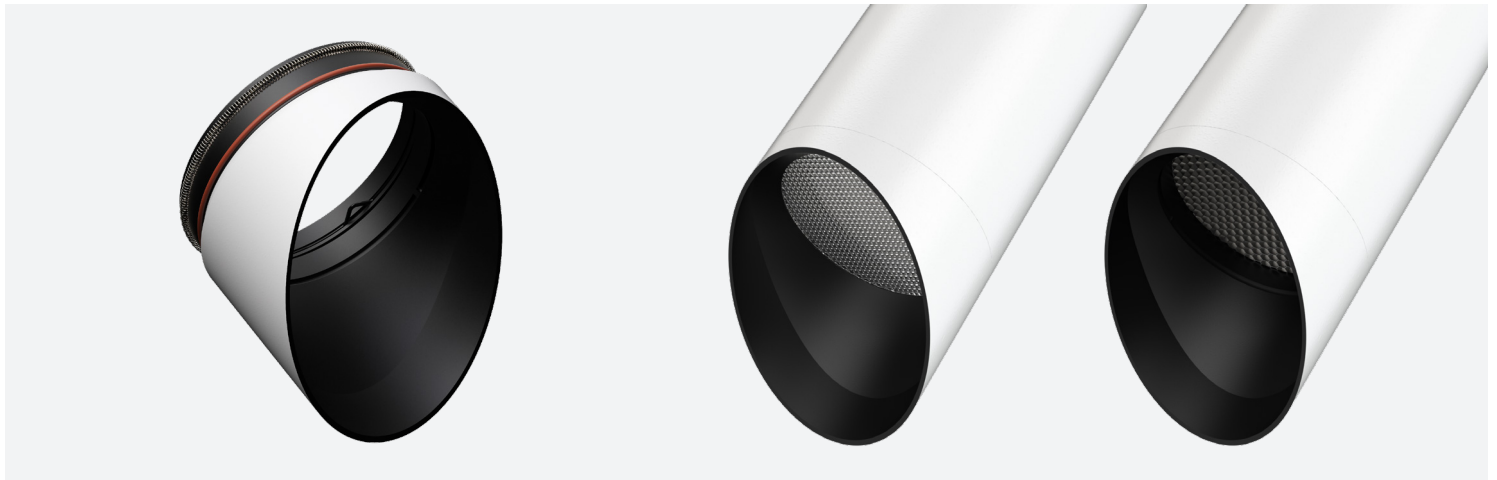
Double Accessory Holder

Built-in to Solo 20 Warm Dim

Accessory Dia. $\varnothing 68\text{mm}$ | $\varnothing 2.68''$

Capacity 5.0mm | $0.2''$ Max Thickness

GLARE GUARD ACCESSORY HOLDER

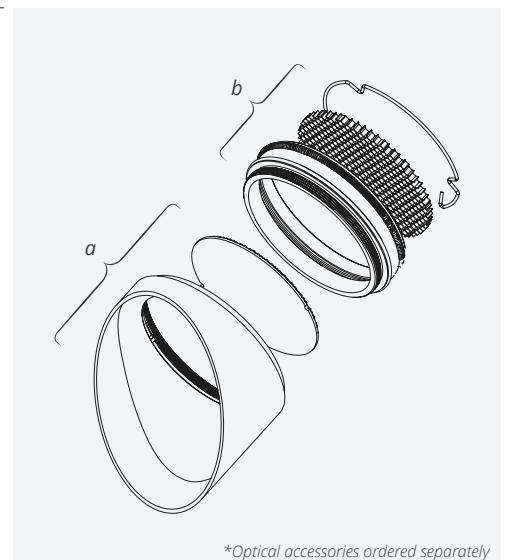


The Glare Guard Accessory Holder is an angled, snap-in snoot extension capable of holding a range of optical accessories, including honeycombs, gels, and beam shaping optics such as Wallwash and Linear Spread Lenses. The holder comprises of two halves, a front compartment and a rear compartment. The rear compartment is capable of holding a single accessory, whilst the front compartment is used to hold orientation dependent beam shaping optics such as the Wallwash and Linear Spread lens.

	a. Front Compartment	b. Rear Compartment
Accessory Diameter	Ø66 mm 2.60"	Ø68 mm 2.67"
Capacity	1.2mm 0.05" Max. Thickness	3.2mm 0.125" Max. Thickness
Orientation Indexing	Yes - Alignment Notches	No
Weight	Aluminium: 114g Brass: 287g	

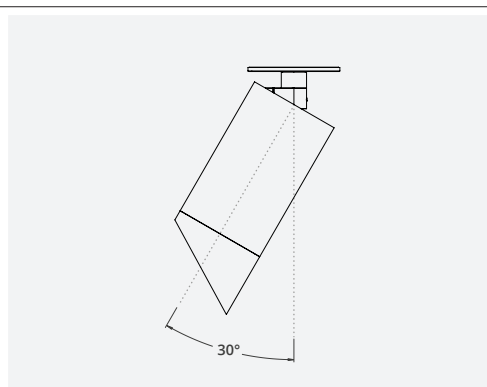
Ordering Codes*

	Black	1120-GLR-01-BK		Polished Brass	1120-GLR-02-PB
	Traffic White	1120-GLR-01-TW		Brushed Brass	1120-GLR-02-SB
	Brushed Aluminium	1120-GLR-01-AL		Rubbed Bronze	1120-GLR-02-RB



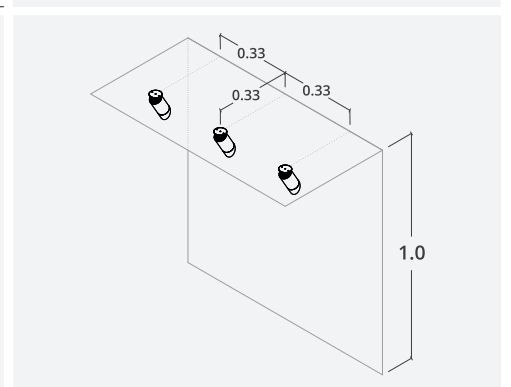
Orientation Indexing

For optical accessories that require a specific orientation, use their alignment notches to position them correctly within the Glare Guard Accessory Holder.



Wallwash Fixture Angle

For optimum performance, the fixture should be angled at approx. 30° from the vertical plane.



Wallwash Positioning and Pitch

Wallwash fixtures should be positioned one-third of the ceiling height away from the wall and spaced apart by the same distance.



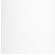



SNOOT ACCESSORY HOLDER



The Snoot Accessory Holder (sold separately) enhances the Solo 20's optical accessory capacity while adding decorative trim in a variety of complementary finishes. Its snap-in, snap-out mechanism is completely tool-free, making on-site adjustments simple and ensuring the holder fits flush with the snoot's front edge.

Accessory Diameter	Ø68 mm 2.67"
Capacity	3.2mm 0.125" Max. Thickness
Orientation Index	No
Weight	Aluminum 31g Brass 91g





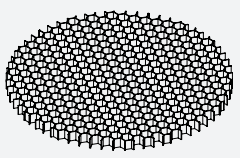
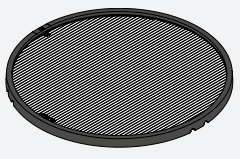
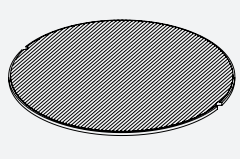
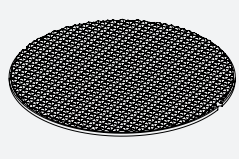
Ordering Codes*

 Black	1120-HOL-01-BK	 Polished Brass	1120-HOL-02-PB
 Traffic White	1120-HOL-01-TW	 Brushed Brass	1120-HOL-02-SB
 Brushed Aluminium	1120-HOL-01-AL	 Rubbed Bronze	1120-HOL-02-RB



*Optical accessories ordered separately

OPTICAL ACCESSORIES

SPARE OPTICS				
	Narrow TIR Optic For Solo 20 Warm Dim HKRG-68-15-PC	Medium TIR Optic For Solo 20 Warm Dim HKRG-68-24-PC	Wide TIR Optic For Solo 20 Warm Dim HKRG-68-36-PC	Very Wide TIR Optic For Solo 20 Warm Dim HKRG-68-50-PC
	GLARE CONTROL			
	 <p>Ø68 Honeycomb Louvre Ø68 x 3.2mm Ø2.67 x 0.125" Fits all accessory holders 995-68-BK</p>			
BEAM MODIFIERS				
	Ø68 Linear Spread Lens Ø68 x 3.0mm Ø2.67 x 0.12" Fits all accessory holders HKFD-68-LIN	Ø66 Linear Spread Lens Ø66 x 1.2mm Ø2.60 x 0.05" For Glare Guard Accessory only HKFD-68-LIN-1	Ø66 Wallwash Lens Ø66 x 1.2mm Ø2.60 x 0.05" For Glare Guard Accessory only HKFD-68-WAS-1	