



Wall-mount controller that controls LED lighting fixtures. Either as a wireless control in sync with a RGBW receiver, or hardwired in conjunction with a DMX decoder. All controller terminal outputs located on the back of the controller. Power supply (included) and all wiring fits inside a standard US switch box.

Control brightness levels with a single touch, personalize and memorize 3 different scenes, and even create 3 variations of white.

Features

- 2 in 1 in-Wall Controller: DMX Control or Wireless RGB-W
- 65,000 Color Options, Dimming and Speed Control
- Memory Function
- 50 Foot Wireless Range
- Easily Fits Standard US Switch Boxes
- Touch Sensitive Glass Surface
- Includes 10 Built in Programs

Operating voltage

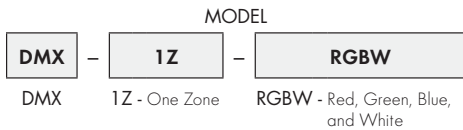
12 - 24V DC

Color parameters

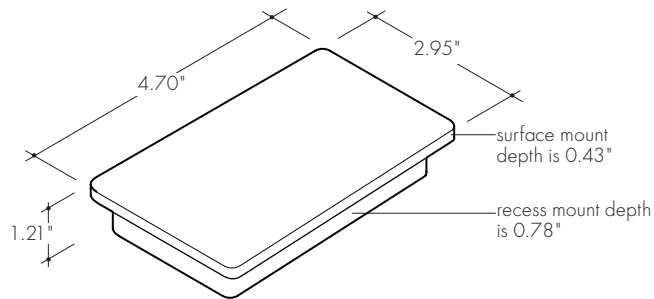
- Brightness
- Saturation
- Primary colors
- Fading
- Color changing speed

Interference may be caused if other devices are operating in close range of 869.5Mhz frequency.

Ordering code



Product dimensions



DMX decoder

DMX signal to RGBW decoder (required to operate DMX controller, decoder not needed if using PSDMX power supply)



Translates controller DMX512 programs for RGB and white LED strips.

Unique DMX address for the decoder can be set easily and displayed by the numeric display on the case. Changing and resetting the DMX address requires manual input.

Use power repeater to expand output.

Operating voltage

12-36 VDC

Power capacity

Up to 96W at 24V

Operating temperature range

from -4°F to +122°F in case

ORDERING CODE

DDMX-RGBW

DDMX-RGBW - DMX Decoder

RGBW-RC-R

RGBW receiver (required to enable controller)



ORDERING CODE

RGBW - RC - R

RGBW-RC-R - RGBW Receiver

The RGBW receiver is easily paired with controller by the click of a button. Receiver can be reset to factory settings at any time.

Each receiver can store one static RGB color, one color sequence, and one brightness setting for the white LED strip. Receivers assigned to the same scene within the same zone will have the same LED static color and color sequence.

Operating voltage

12-36 VDC

Power capacity

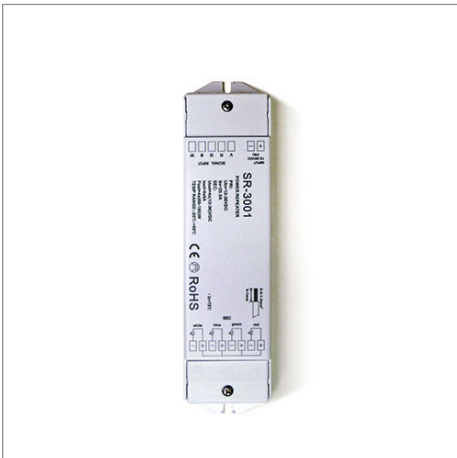
Up to 96W at 24V

Operating temperature range

from -4°F to +122°F in case

RGBW-SR

Signal repeater for RGBW LineLED



ORDERING CODE

RGBW - SR

RGBW-SR - RGBW signal repeater

Extends identical signal when connected in series to an RGBW LED control system. The RGBW signal repeater works with Luminii RGB and RGBW controllers, receivers, and decoders.

RGBW signal can be extended indefinitely when adequate power supply (not included) is connected to the system.

Operating voltage

12-36 VDC

Power capacity

Up to 96W at 24V

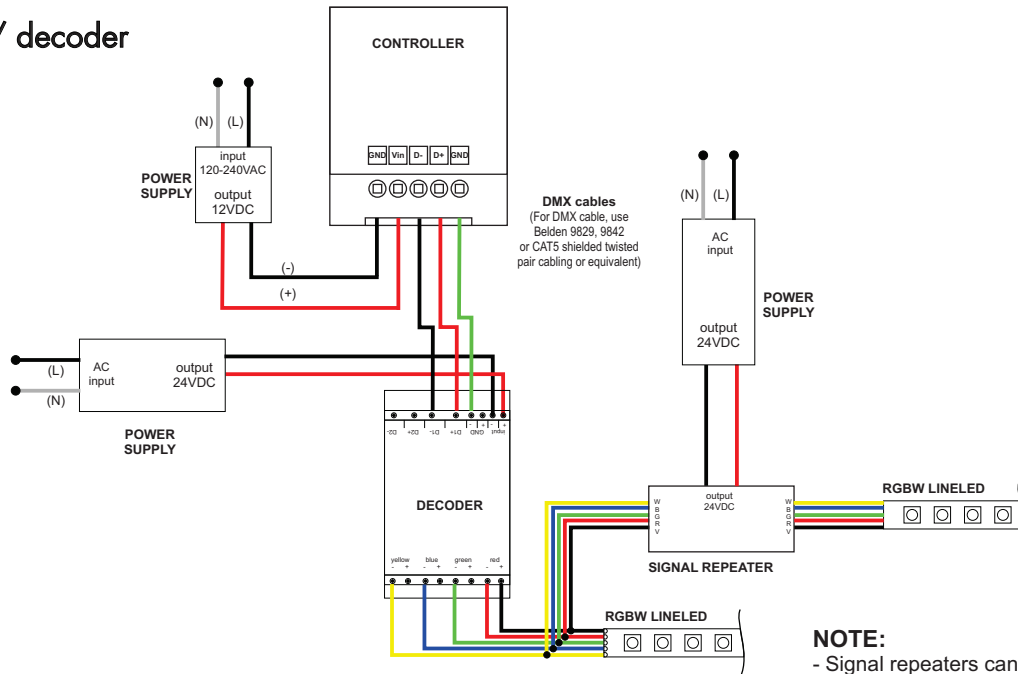
Operating temperature range

from -4°F to +122°F in case

System Diagram

All parts sold separately

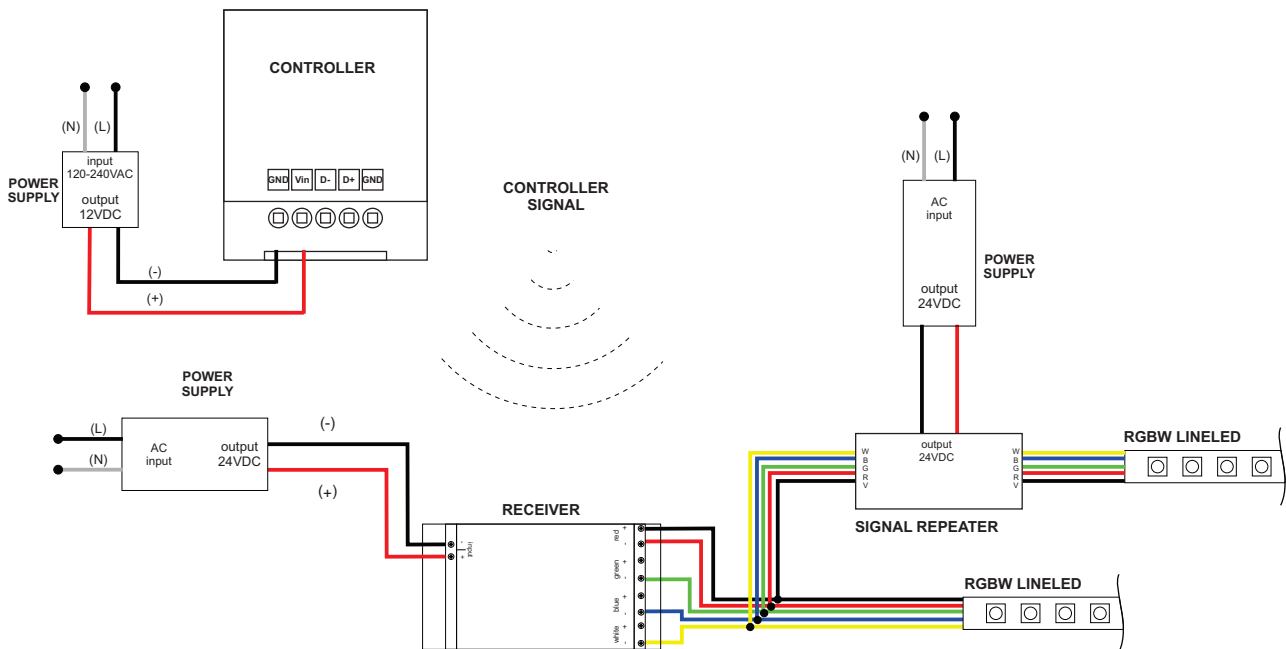
wiring w/ decoder



NOTE:

- Signal repeaters can be connected to either beginning or end of the LineLED run.
- 1 repeater is needed every 96 watts.

wiring w/ receiver



NOTE:

- Signal repeaters can be connected to either beginning or end of the LineLED run.
- 1 repeater is needed every 96 watts.