

VESTA 2 GR

LINEAR DROP-IN T-GRID LIGHTING



Vesta 2 GR - The Vesta 2 GR is a recessed LED system designed as a retrofit for suspended T-grid ceilings. Powerful LED (up to 1220lm/ft.) combined with a seamless, high-performance lens provide optimal lighting. The Vesta 2 GR is available in two sizes (9/16" or 15/16") in lengths of up to 4 feet and is designed to replace old T-grid fluorescent lighting systems.

Ordering Code



Product Specifications

SAMPLE : 361 - 90 - 4 - 35 - 25 - 08 - 04 - STD - 120 - 01

| 1 - Model | 2 - CRI | 3 - Length | 4 - CCT | 5 - Lens | 6 - Finish | 7 - Lumen |
|---|-----------------|---|--|---|--|---|
| 361 · Vesta 2 GR (9/16") 362 · Vesta 2 GR (15/16") | 90 · 90+ | 2 · 2' 4 · 4' 5 · 5' | 27 · 2700K 30 · 3000K 35 · 3500K 40 · 4000K | 25 · Frosted Symmetric 35 · Asymmetric ^{*1} | 01 · White 02 · Black 08 · Silver XX · Custom | 04 · 400 lm/ft (3.8 W) 06 · 566 lm/ft (5.7 W) 08 · 843 lm/ft (9.4 W) 10 · 1034 lm/ft (12 W) 12 · 1220 lm/ft (15 W) 00 · None |
| 8 - Driver | Dim Level | | Dim Level | 9 - Voltage | 10 - LED Control | |
| STD/LCS · 0 - 10 Volt dim option incl. | N/A | LUT2W · 2 Wire for phase ^{*2} | 1% | 120 · 120V | 01 · Standard | |
| ELDOLC · EldoLED 0 - 10 Volt | 0.1% | LUT5S · 5 Series Eco System | 5% | 277 · 277V | 20 · Emergency wiring | |
| DALI · Dali Protocol | 0.1% | DMX · Senso | | 347 · 347V ^{*3} | 21 · Emergency Battery Back-Up (4 foot section) | |
| LUTES · Hilume Ecodigital | 1% | CSMB · Casambi Wireless Control | | | | |

*1 Asymmetric Direct Lumen limited to **04/06/08** (wattages doubled)

*2 120V only

*3 Not available in Eldo and Lutron

Project : _____
 Quantity : _____
 Type : _____
 Notes : _____



PROUD MEMBER OF



VESTA 2 GR

LINEAR DROP-IN T-GRID LIGHTING

Light Engine

| | |
|---------------------------------|------------------------|
| High Efficacy : | Up to 170 lumen/Watt |
| Colour Options (CCT) : | 3000K, 3500K, 4000K |
| Colour Consistency : | 3-step MacAdam Ellipse |
| Colour rendering (CRI) : | 90+ |

Vesta 2 GR features a high-output, high-efficacy light engine—without any compromise. Class-leading efficiency at over 100lm/W keeps running costs low, while 50,000-hour (LM-80) lumen maintenance guarantees a sustainable design. Colour rendering options are available up to 90+ CRI, along with colour consistency within a three-step MacAdam ellipse. Every Vesta undergoes a multi-step test and burn-in procedure before shipping, ensuring the superior level of quality Senso is known for.

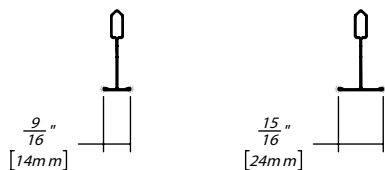
Dimming Option

| | |
|-------------------|-------------------------|
| Protocol : | 0-10V DALI LUTRON |
|-------------------|-------------------------|

Level : From 0.1% to 10%

The Vesta combines high output with limitless possibilities of control. Dimming down to 0.1% is also available in Lutron (120-277V) and Dali systems (120-277V).

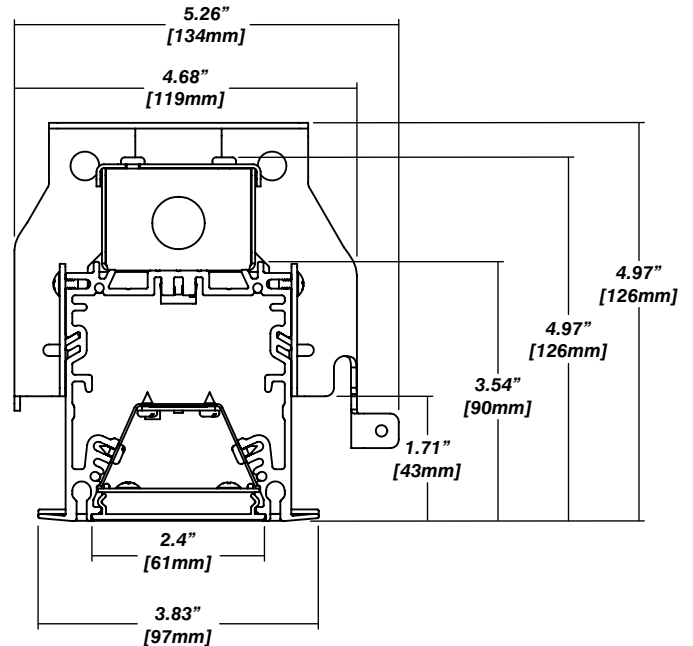
Compatible with 9/16" - 15/16" grid



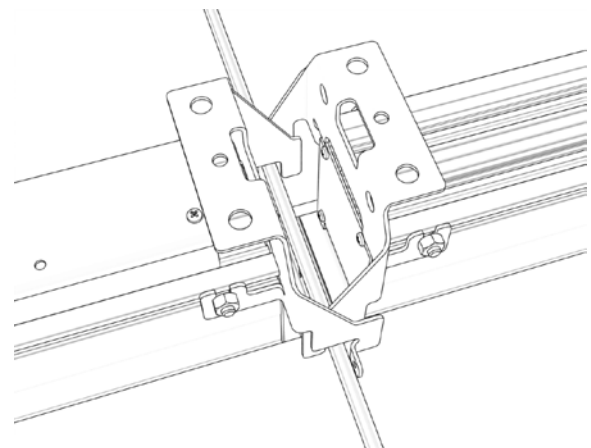
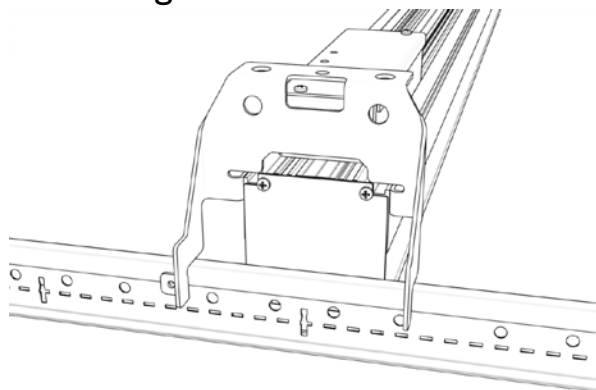
Construction / Finish

- Powder coated in white, black or silver
- Custom finish are available
- Housing: Aluminum extrusion
- Made in Canada

Dimensions



Grid Mounting



Photometrics

Senso's in-house photometric testing ensures that our lighting design can match your needs precisely. Our Goniophotometer and testing lab produces on-demand photometry files based on any specified fixture, including LM-79 Test reports, IES Files, and CRI/CCT measurements. See sensolighting.com for more information.

*Full photometric Reports and IES files available for every configuration

Zonal Lumen Summary

| Zone | Lumens | %Fixt |
|---------|---------|--------|
| 0-20 | 528.37 | 15.50 |
| 0-30 | 1085.53 | 31.90 |
| 0-40 | 1709.34 | 50.30 |
| 0-60 | 2806.23 | 82.60 |
| 0-80 | 3352.15 | 98.60 |
| 0-90 | 3398.12 | 100.00 |
| 10-90 | 3258.52 | 95.90 |
| 20-40 | 1180.97 | 34.70 |
| 20-50 | 1777.92 | 52.30 |
| 40-70 | 1453.16 | 42.80 |
| 60-80 | 545.92 | 16.10 |
| 70-80 | 189.65 | 5.60 |
| 80-90 | 45.97 | 1.40 |
| 90-110 | 0.56 | 0.00 |
| 90-120 | 0.57 | 0.00 |
| 90-130 | 0.57 | 0.00 |
| 90-150 | 0.57 | 0.00 |
| 90-180 | 0.57 | 0.00 |
| 110-180 | 0.01 | 0.00 |
| 0-180 | 3398.69 | 100.00 |

IES Indoor Report Coefficients of utilization - zonal cavity method

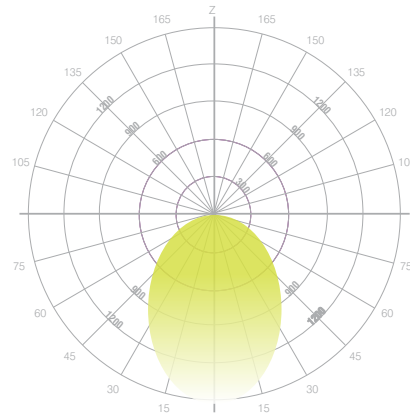
Effective Floor Cavity Reflectance 0.20

| RC | 80 | | | | 70 | | | | 50 | | | | 30 | | | | 10 | | | | 0 |
|----|-----|-----|-----|-----|-----|-----|-----|-----|-----|-----|-----|-----|-----|-----|-----|-----|-----|-----|-----|-----|-----|
| RW | 70 | 50 | 30 | 10 | 70 | 50 | 30 | 10 | 50 | 30 | 10 | 50 | 30 | 10 | 50 | 30 | 10 | 50 | 30 | 10 | 0 |
| 0 | 119 | 119 | 119 | 119 | 116 | 116 | 116 | 116 | 111 | 111 | 111 | 106 | 106 | 106 | 102 | 102 | 102 | 100 | 100 | 100 | 100 |
| 1 | 109 | 105 | 101 | 97 | 107 | 103 | 99 | 96 | 99 | 96 | 93 | 95 | 92 | 90 | 91 | 89 | 87 | 85 | 85 | 85 | 85 |
| 2 | 100 | 92 | 86 | 80 | 98 | 90 | 85 | 80 | 87 | 82 | 78 | 84 | 80 | 76 | 81 | 77 | 74 | 72 | 72 | 72 | 72 |
| 3 | 92 | 82 | 74 | 68 | 89 | 80 | 73 | 67 | 77 | 71 | 66 | 74 | 69 | 65 | 72 | 68 | 64 | 62 | 62 | 62 | 62 |
| 4 | 84 | 73 | 64 | 58 | 82 | 72 | 64 | 58 | 69 | 62 | 57 | 67 | 61 | 56 | 65 | 60 | 55 | 53 | 53 | 53 | 53 |
| 5 | 78 | 66 | 57 | 51 | 76 | 64 | 56 | 50 | 62 | 55 | 50 | 60 | 54 | 49 | 59 | 53 | 49 | 47 | 47 | 47 | 47 |
| 6 | 72 | 59 | 51 | 44 | 70 | 58 | 50 | 44 | 57 | 49 | 44 | 55 | 48 | 44 | 53 | 48 | 43 | 41 | 41 | 41 | 41 |
| 7 | 67 | 54 | 46 | 40 | 65 | 53 | 45 | 39 | 52 | 44 | 39 | 50 | 44 | 39 | 49 | 43 | 39 | 37 | 37 | 37 | 37 |
| 8 | 63 | 49 | 41 | 36 | 61 | 49 | 41 | 35 | 47 | 40 | 35 | 46 | 40 | 35 | 45 | 39 | 35 | 33 | 33 | 33 | 33 |
| 9 | 59 | 46 | 38 | 32 | 57 | 45 | 37 | 32 | 44 | 37 | 32 | 43 | 36 | 32 | 42 | 36 | 32 | 30 | 30 | 30 | 30 |
| 10 | 55 | 42 | 34 | 29 | 54 | 42 | 34 | 29 | 41 | 34 | 29 | 40 | 33 | 29 | 39 | 33 | 29 | 27 | 27 | 27 | 27 |

Luminance DATA (cd/sq.m)

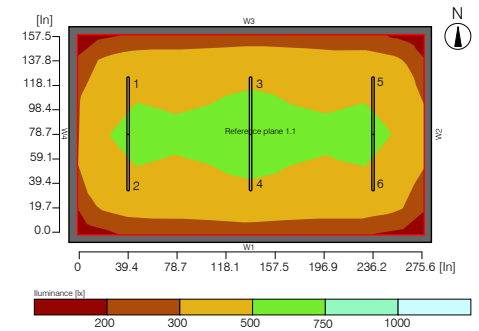
| Angle in ° | Average 0° | Average 45° | Average 90° |
|------------|------------|-------------|-------------|
| 45 | 1633 | 17494 | 18653 |
| 55 | 14387 | 15594 | 16807 |
| 65 | 12589 | 13662 | 14754 |
| 75 | 10484 | 11188 | 11811 |
| 85 | 7096 | 6899 | 6301 |

Vesta Light Distribution



- Fixture: Vesta 48" [121.92 cm]
- Total Lumen Output: 3399 lm
- Wattage: 45 W
- Lumen per Watt: 75

Vesta Performance Example



- Calculation algorithm used Average indirect fraction
- Height of luminaire plane 118.11" [3.00 m]
- Maintenance factor 31.5" [0.80 m]
- Total luminous flux of all lamps 20358 lm
- Total power 270.0 W
- Total power per area (28.00 m²) 9.64 W/m² (2.26 W/m²/100lx)

Colour Metrics TM 30-15

Our clients deserve the best information possible about their lighting choices. That's why Senso has invested in the Illuminating Engineering Society (IES) TM 30-15, a new system that measures an LED light source's colour rendering properties. Using Senso's state-of-the-art goniophotometer, this method identifies the optimal light source for your project and helps evaluate the trade-offs between efficacy and colour rendering. Senso can provide TM 30-15 data for all of our products.

*Full Colour Metric Info Available at sensolighting.com