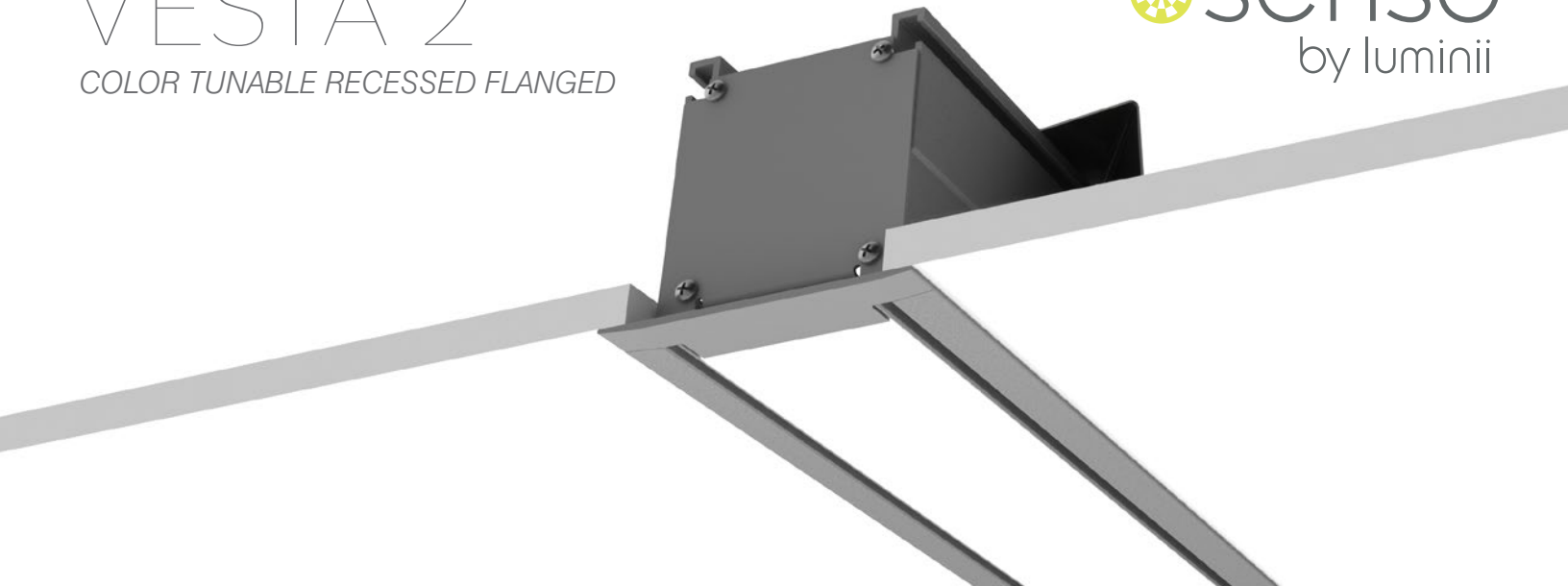


VESTA 2

COLOR TUNABLE RECESSED FLANGED



Vesta 2 - Recessed linear LED system. The Vesta 2 offers powerful light in a clean, recessed format. Vesta 2 features a symmetrical, high-performance frosted lens, illuminating the lens surface evenly with no shadows or dark spots. With integrated drivers and controls, this fixture is easy to install and widely applicable.

Full-length seamless lenses range from 4 to 12 feet. Available in *L*, *T* and *X* shaped nodes, the Vesta 2 system can readily adapt to any configuration.

Ordering Code

Fixture	<input type="text"/>	<input type="text"/>	<input type="text"/>	<input type="text"/>	<input type="text"/>	<input type="text"/>	<input type="text"/>
	1	2	3	4	5	6	7
Driver	<input type="text"/>	<input type="text"/>	<input type="text"/>	<input type="text"/>	<input type="text"/>		
	1	2	3	4	5		

Product Specifications

SAMPLE: Fixture **357 - 90 - 12 - 2765 - 25 - 01 - 04** | Driver **DMX - 120 - DB - 01 - 04**

1 - Model	2 - CRI	3 - Length	4 - CCT	5 - Lens	6 - Finish
357 · Vesta 2 Recessed	90 · 90+	2 · 22.5" 4 · 44.5" ^{*4} 6 · 66.5" ^{*4} 8 · 88.5" 10 · 110.5" 12 · 132.5" A-T · More Lengths ^{*1} XX · System ^{*2}	2765 · 2700K - 6500K	25 · Frosted Symmetric	01 · White 02 · Black 08 · Silver XX · Custom

7 - Lumen	1 - Driver	Dim Level	2 - Voltage	3 ³ - Mounting	4 - LED Control
04 · 418 lm/ft @ 4000K (4.8W) 06 · 592 lm/ft @ 4000K (7.2W) 08 · 776 lm/ft @ 4000K (9.6W)	DALI · Dali Protocol DMX · Senso CSMB · Casambi Wireless Control	0.1%	120 · 120V 277 · 277V	DB · Drywall Bracket AC · Aircraft Cable	01 · Standard switching 21 · Emergency Battery Back-Up (4 foot section)

5 - Direct Lm

Same as Fixture

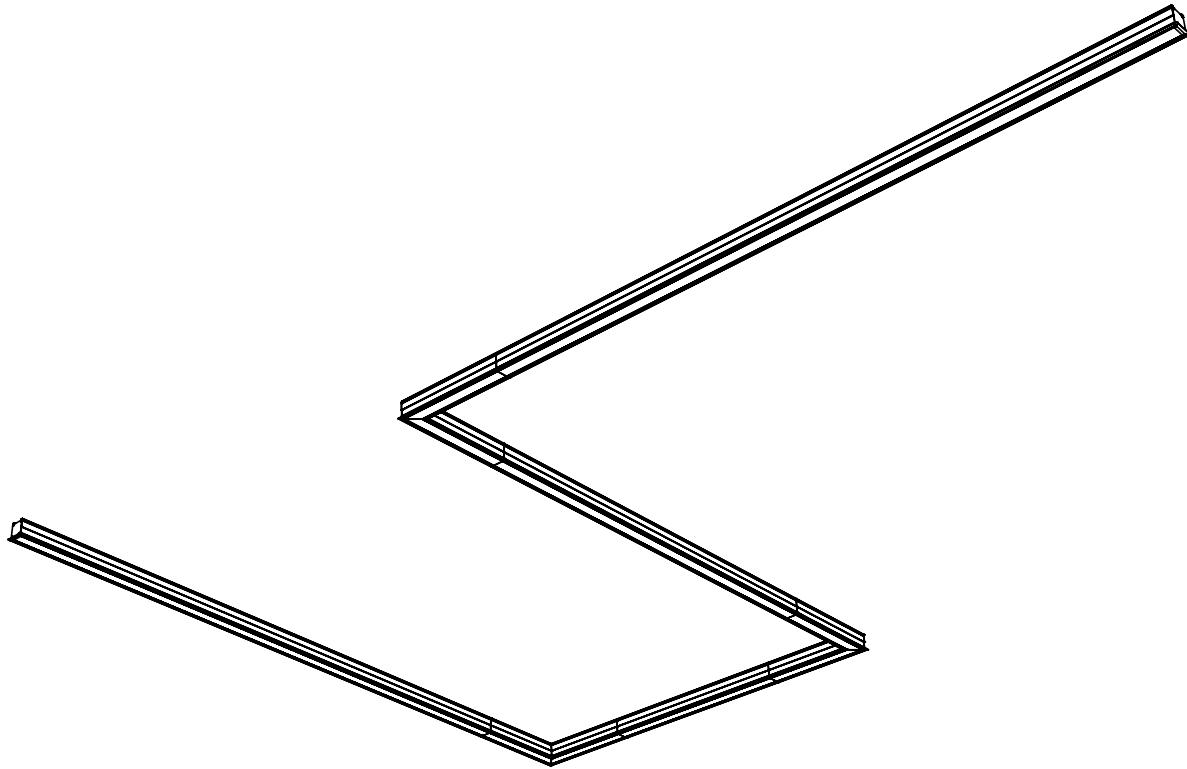
^{*1} See page four for more detailed lengths
^{*2} See page two for more details
^{*3} See page three for more details
^{*4} **21 - Emergency Battery Back-up** not available

Project : _____
 Quantity : _____
 Type : _____
 Notes : _____



Continuous Layout Using Corners Only

The Vesta 2 system is not limited to straight runs. Available L nodes, used in association with linear sections, provide freedom to create seamless configurations. Linear sections are available in 22.5inch increment.



How To Specify

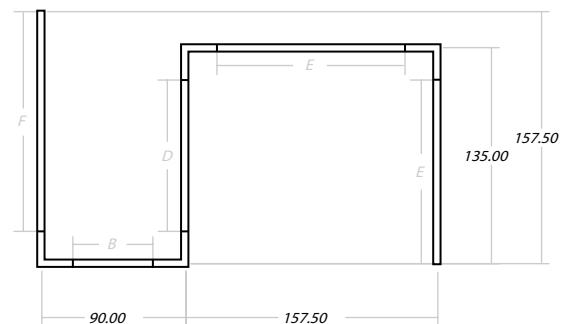
1. Draw your layout, as seen from bottom, considering:
 - Drawings are made using center axis as reference
 - Minimum 45inch between contiguous corners
 - 22.5inch increment
2. Provide the following information
 - Total number of corners
 - Total length
 - Drawing

Using example:

corners = 3

Total length = $157.5 + 90 + 135 + 157.5 = 540$ inch

Example Of Layout



Advanced Intersecting System Using T & X Nodes

For advanced configurations, contact the Senso factory to complete your system.



VESTA 2

COLOR TUNABLE RECESSED FLANGED

Light Engine

- High Efficacy :** Up to 170 lumen/Watt
- Color Options (CCT) :** 2700K - 6200K
- Color Consistency :** 3-step MacAdam Ellipse
- Color Rendering (CRI) :** 90+
- Lumen Maintenance :** 50,000 hours

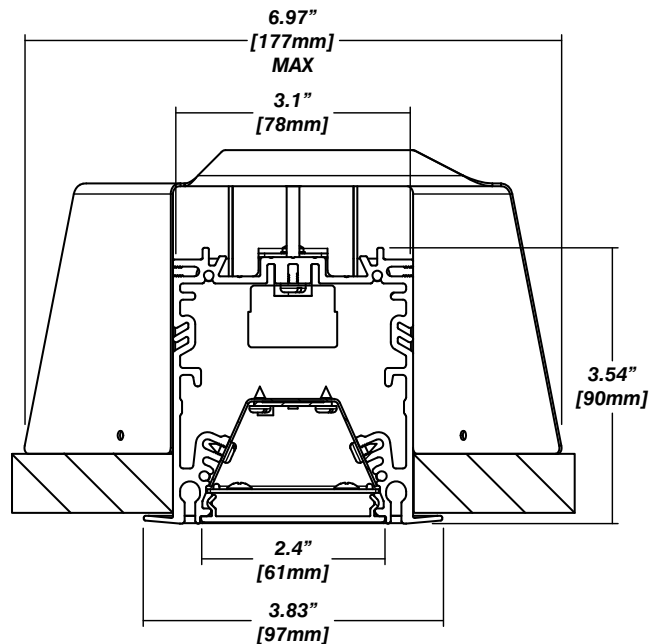
Installation

- Factory assembled for easy and fast installation
- Standard 7/8" knock out provided on top of the fixture

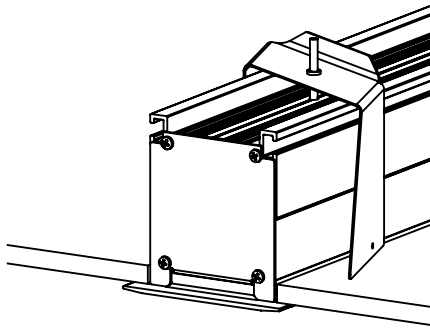
Construction

- Powder coated in white, black or silver
- Custom finish are available
- Housing: Aluminum extrusion
- Made in Canada

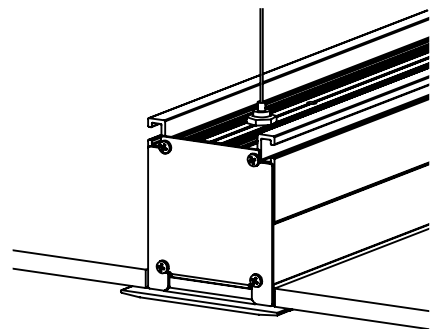
Dimensions



Mounting Option



U Bracket



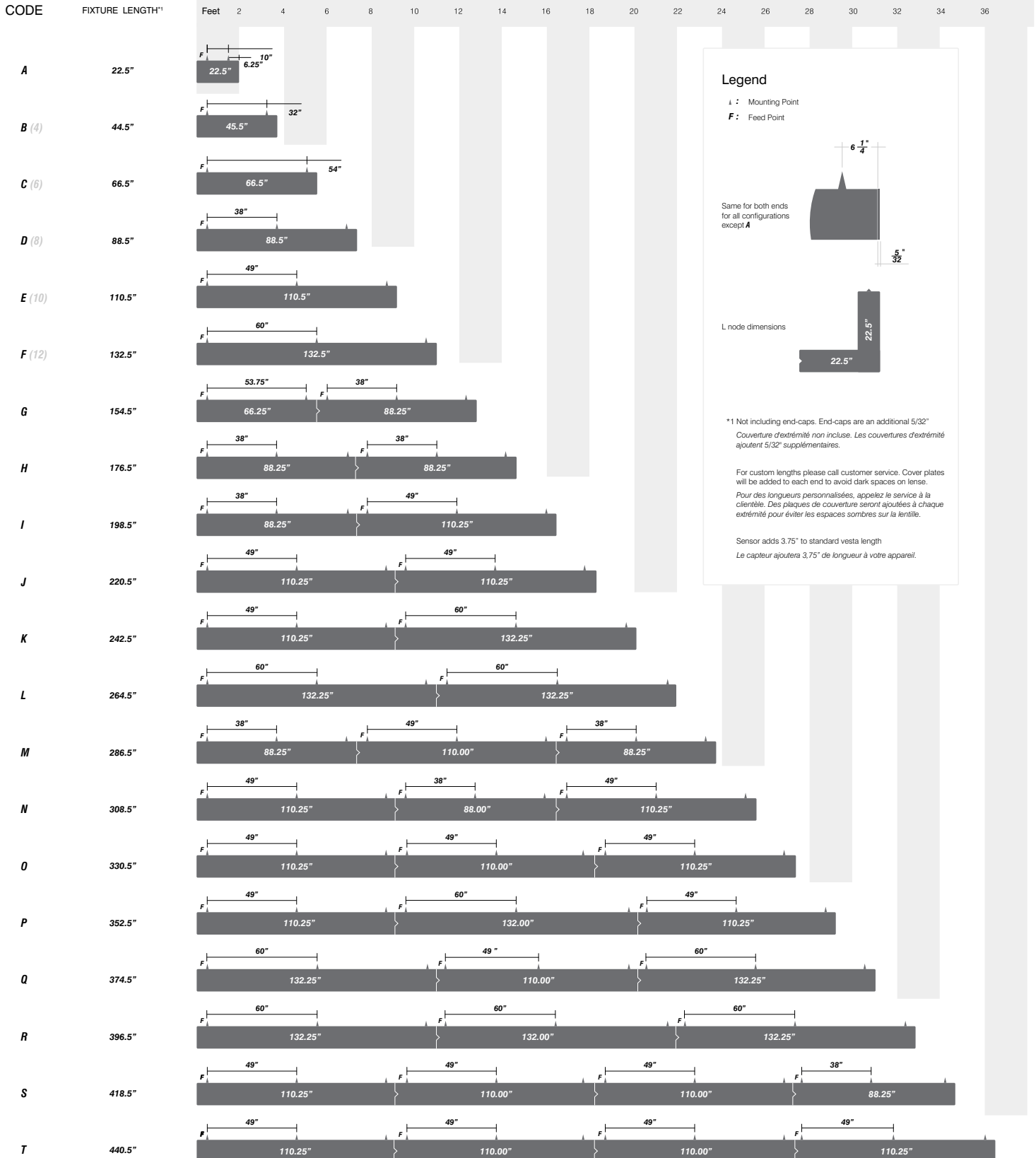
Aircraft Cable

VESTA 2

COLOR TUNABLE RECESSED FLANGED

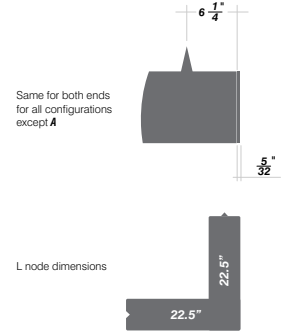


Vesta Cut Lengths



Legend

- ⊥ : Mounting Point
- F : Feed Point



¹ Not including end-caps. End-caps are an additional 5/32"
 Couverture d'extrémité non incluse. Les couvertures d'extrémité ajoutent 5/32" supplémentaires.

For custom lengths please call customer service. Cover plates will be added to each end to avoid dark spaces on lens.
 Pour des longueurs personnalisées, appelez le service à la clientèle. Des plaques de couverture seront ajoutées à chaque extrémité pour éviter les espaces sombres sur la lentille.

Sensor adds 3.75" to standard vesta length
 Le capteur ajoutera 3,75" de longueur à votre appareil.

