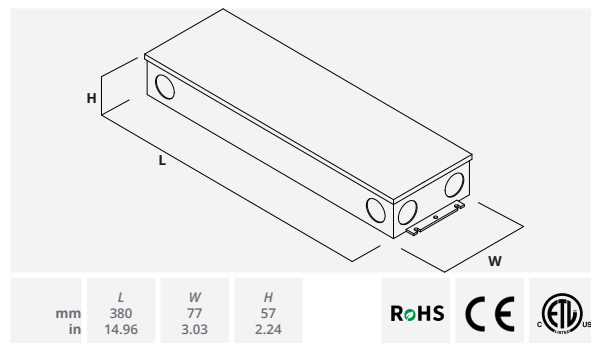


96W 24V

CONSTANT VOLTAGE TRIAC DIMMABLE PSU

PSU / DRIVER



OVERVIEW

The 96W 24V Triac dimmable constant voltage LED Power Supply Unit (PSU) delivers reliable power for LED applications with a stable 24V output. The PSU supports Forward phase, Magnetic low voltage, and Triac dimmers, ensuring smooth dimming. Compliant with global safety standards and backed by a 5-year warranty.

KEY FEATURES

- 96W
- Triac Dimmable
- 24V Out
- Controls up to 8 x Evo 16 / Retro 16 / Microspot 16
- Controls up to 15 x Evo 11 / Retro 11 / Microspot 11

PERFORMANCE SUMMARY

Dimming	Triac / ELV / MLV	Leakage Current	< 0.25mA / 220V AC
Voltage Out	24V	Short Circuit Protection	Hiccup mode
Wattage	96W	Over Load / Over Current	<120% / <1.4 I out
Current	4A	Ambient Temperature	-40°C to +60°C
Voltage In	120V AC	Certification USA	ETL (UL8750 / UL1310)
Frequency	47-63 Hz	Certification Canada	ETL (CSA C22.2 NO 250.13 NO 233-M91)
Power Factor	PF > 0.95 / 220V	Class	Class 2
QTY of Evo / Microspot / Retro 16	Up to 8	Efficiency	85%
QTY of Evo / Microspot / Retro 11	Up to 15		

ORDERING CODES

PSU:	Order Code
	USCV-96-24-P-LU

WIRING DIAGRAM

