

STENOS INSTALLATION INSTRUCTIONS

Recessed Trimmed Track

**READ ALL OF THESE INSTALLATION INSTRUCTIONS BEFORE INSTALLING THE TRACK SYSTEM.
SAVE THESE INSTRUCTIONS AND REFER TO THEM WHEN ADDITIONS TO OR CHANGES IN THE TRACK CONFIGURATION ARE MADE**

1. Product to be installed by a qualified electrician
2. Use only with class 2 power unit
3. 24 Volts DC
4. Suitable for dry locations only
5. 96W max, 24ft max, and 3 Electrical Joiners max per power feed.
6. Mechanical Joiners and End Cap isolate power circuits. Electrical Joiners are used to continue power down the track.
7. System shapes and power feed locations shown are for reference only. Refer to custom drawing package for the particulars of a specific custom system.



REVO.5
12052023

1 / 17



7777 Merrimac Ave
Niles, IL 60714
T 224.333.6033
F 224.757.7557
info@luminii.com
www.luminii.com

For use with STENOS RECESSED TRIMMED (STT) track system only

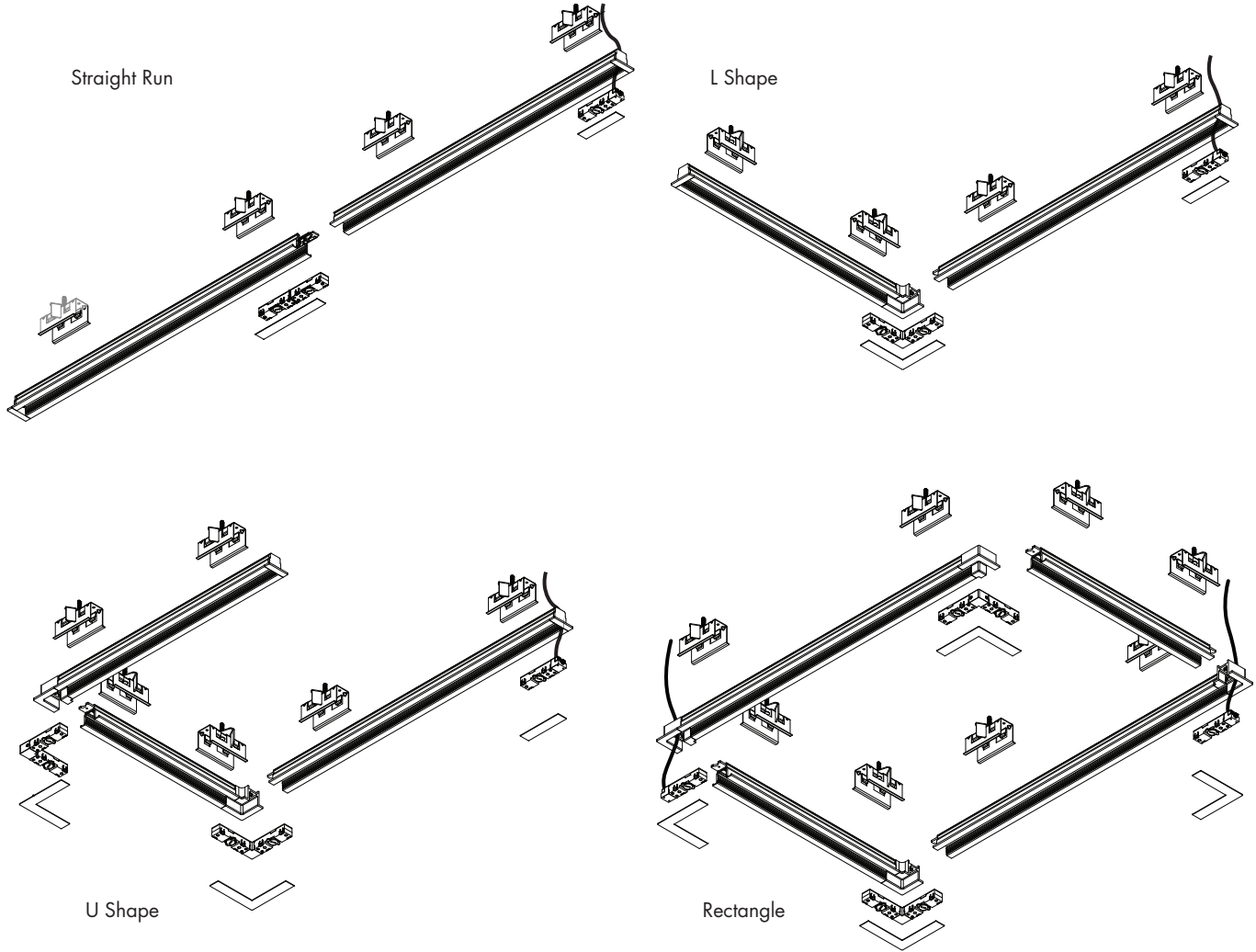


Table of Contents

Section	Page
Straight Run	3
L Shape	8
U Shape	13
Rectangle	18



IMPORTANT SAFETY INSTRUCTIONS! SAVE THESE INSTRUCTIONS!

TRACK IS ONLY TO BE USED WITH OTHER ELECTRICAL FITTINGS IDENTIFIED FOR USE WITH THE TRACK SYSTEM WHEN INSTALLING OR USING THIS TRACK SYSTEM, BASIC SAFETY PRECAUTIONS SHOULD ALWAYS BE FOLLOWED, INCLUDING:

- A. READ ALL INSTRUCTIONS.
- B. DO NOT INSTALL THIS TRACK IN DAMP OR WET LOCATIONS.
- C. DO NOT INSTALL ANY PART OF THE TRACK SYSTEM LESS THAN 5 FEET ABOVE THE FLOOR.
- D. DO NOT INSTALL ANY LUMINAIRE ASSEMBLY CLOSER THAN 6 INCHES FROM ANY CURTAIN, OR SIMILAR COMBUSTIBLE MATERIAL.
- E. DISCONNECT ELECTRICAL POWER BEFORE ADDING TO OR CHANGING THE CONFIGURATION OF THE TRACK.
- F. DO NOT ATTEMPT TO ENERGIZE ANYTHING OTHER THAN LIGHTING TRACK LUMINAIRES ON THE TRACK. TO REDUCE THE RISK OF FIRE AND ELECTRIC SHOCK, DO NOT ATTEMPT TO CONNECT POWER TOOLS, EXTENSION CORDS, APPLIANCES, AND THE LIKE TO THE TRACK.

STENOS INSTALLATION INSTRUCTIONS

Recessed Trimmed Track

**READ ALL OF THESE INSTALLATION INSTRUCTIONS BEFORE INSTALLING THE TRACK SYSTEM.
SAVE THESE INSTRUCTIONS AND REFER TO THEM WHEN ADDITIONS TO OR CHANGES IN THE TRACK CONFIGURATION ARE MADE**

1. Product to be installed by a qualified electrician
2. Use only with class 2 power unit
3. 24 Volts DC
4. Suitable for dry locations only
5. 96W max, 24ft max, and 3 Electrical Joiners max per power feed.
6. Mechanical Joiners and End Cap isolate power circuits. Electrical Joiners are used to continue power down the track.
7. System shapes and power feed locations shown are for reference only. Refer to custom drawing package for the particulars of a specific custom system.



REVO.5
12052023

2 / 17



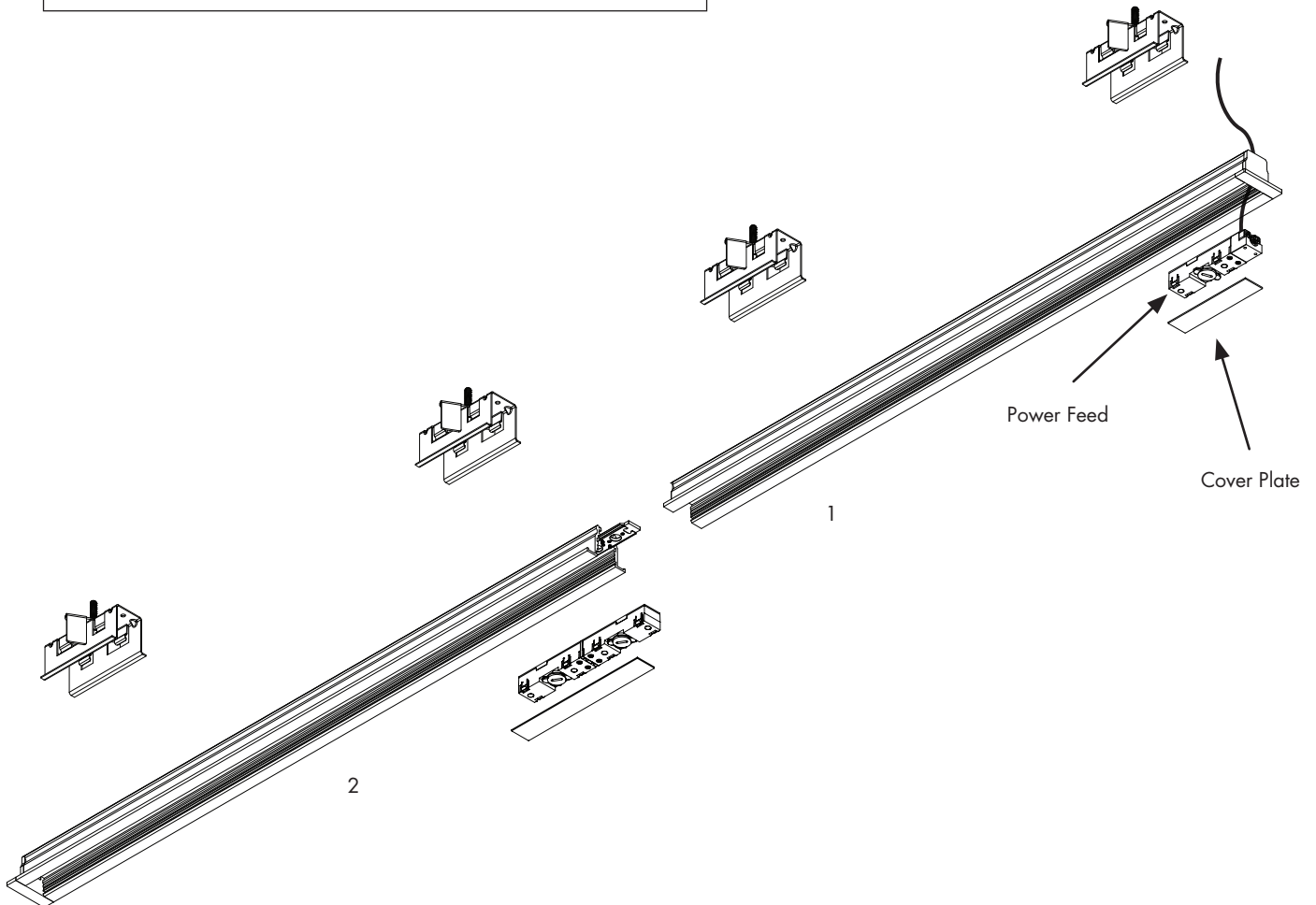
7777 Merrimac Ave
Niles, IL 60714
T 224.333.6033
F 224.757.7557
info@luminii.com
www.luminii.com

S - Recessed Trimmed Track - Straight Run

Track Installation Sequence

ATTENTION!

Make sure to install the tracks in the order that are specified on this page.



STENOS INSTALLATION INSTRUCTIONS

Recessed Trimmed Track



7777 Merrimac Ave
Niles, IL 60714
T 224.333.6033
F 224.757.7557
info@luminii.com
www.luminii.com

READ ALL OF THESE INSTALLATION INSTRUCTIONS BEFORE INSTALLING THE TRACK SYSTEM. SAVE THESE INSTRUCTIONS AND REFER TO THEM WHEN ADDITIONS TO OR CHANGES IN THE TRACK CONFIGURATION ARE MADE

1. Product to be installed by a qualified electrician
2. Use only with class 2 power unit
3. 24 Volts DC
4. Suitable for dry locations only
5. 96W max, 24ft max, and 3 Electrical Joiners max per power feed.
6. Mechanical Joiners and End Cap isolate power circuits. Electrical Joiners are used to continue power down the track.
7. System shapes and power feed locations shown are for reference only. Refer to custom drawing package for the particulars of a specific custom system.

REVO.5
12052023
3 / 17

Marking location and installing mounting brackets

S.1

Track Length	# of Brackets
4ft	3
8ft	4
12ft	6

S.1 IMPORTANT! Brackets are to be mounted 3-4" from the end of the track, and spaced apart no greater than 22". All measurements are from the centerline of the bracket.

S.2 With drywall already installed, create a cutout in the ceiling 1-1/16" wide by (track length + 3/8") length. Take great care when cutting open the channel as you will only have 0.18" lip on the mounting bracket. Refer to approved Custom Layout Drawing by Luminii for precise ceiling cutout dimensions. Insert the mounting brackets into the ceiling cutout. Turn screw to rotate wing clamp and tighten until mounting bracket is secured to the ceiling.

S.3 Route Power Feed Cable through pre-drilled hole in track and make connection to power supply or junction box (by others). Then insert the track into the mounting brackets to engage the spring clips, securing the track in place.

S.4 Snap Power Feed Connector into Track. Rotate locking cam, securing Power Feed Connector to track. **Do not over-rotate locking cam.** Place magnetic Cover Plate over Power Feed Connector.

STENOS INSTALLATION INSTRUCTIONS

Recessed Trimmed Track



luminii

7777 Merrimac Ave
Niles, IL 60714
T 224.333.6033
F 224.757.7557
info@luminii.com
www.luminii.com

**READ ALL OF THESE INSTALLATION INSTRUCTIONS BEFORE INSTALLING THE TRACK SYSTEM.
SAVE THESE INSTRUCTIONS AND REFER TO THEM WHEN ADDITIONS TO OR CHANGES IN THE TRACK CONFIGURATION ARE MADE**

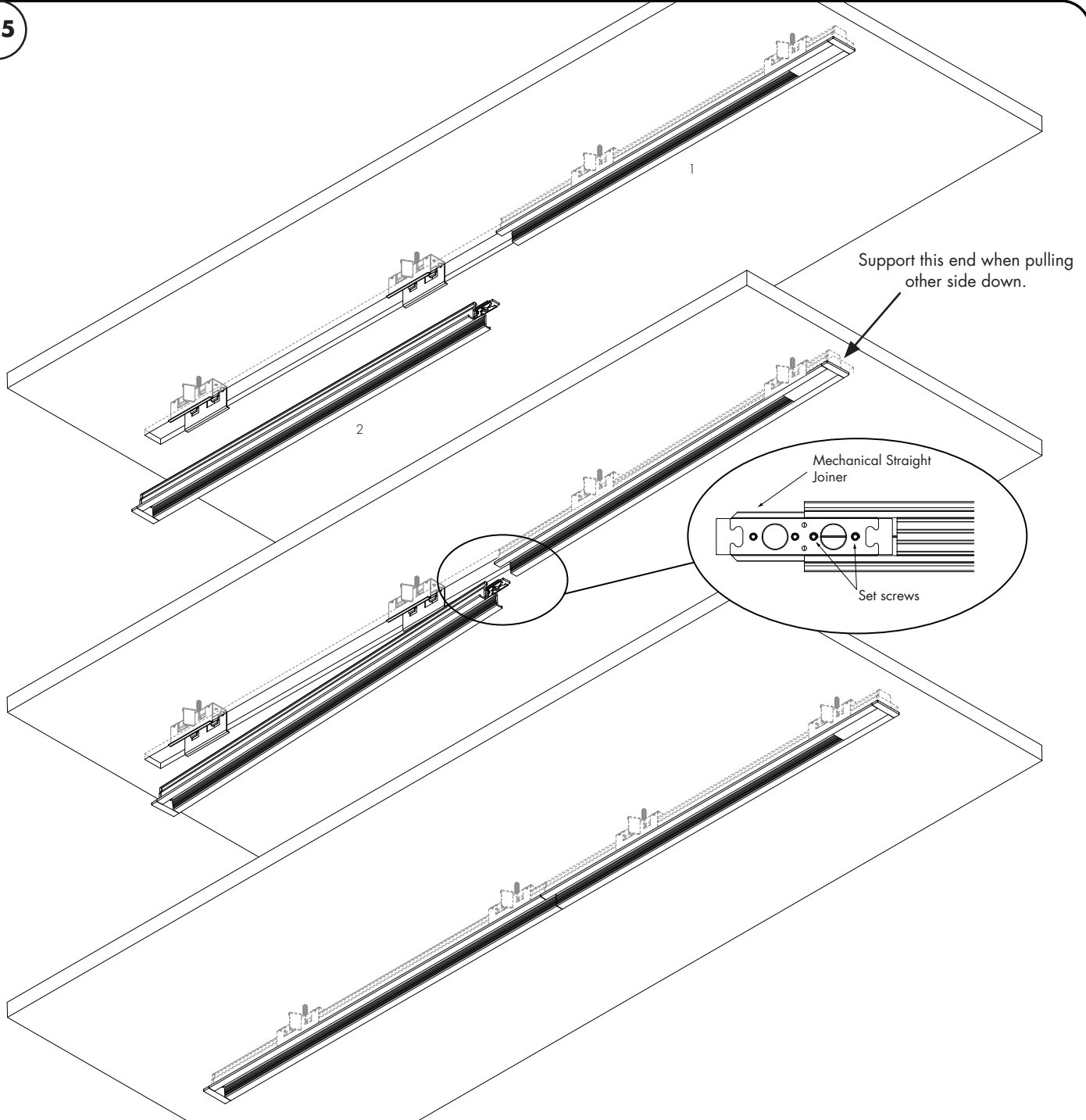
1. Product to be installed by a qualified electrician
2. Use only with class 2 power unit
3. 24 Volts DC
4. Suitable for dry locations only
5. 96W max, 24ft max, and 3 Electrical Joiners max per power feed.
6. Mechanical Joiners and End Cap isolate power circuits. Electrical Joiners are used to continue power down the track.
7. System shapes and power feed locations shown are for reference only. Refer to custom drawing package for the particulars of a specific custom system.

REVO.5
12052023

4 / 17

Continuous Row Mounting (if applicable)

S.5



- S.5** Once track section 1 is attached to the ceiling, raise track section 2 making sure to line the track up neatly with the mounting brackets. Pull down slightly the open end of track section 1 to prepare for assembly with track section 2.
NOTE: To prevent track from disconnecting from mounting brackets, make sure that the other end of section is supported by another person or has temporary supports installed
- S.6** Slide section 2 into section 1 and tighten the set screws in the mechanical straight joiner
- S.7** Once joined, insert the two track sections into the mounting brackets to engage the spring clips, securing the tracks.

STENOS INSTALLATION INSTRUCTIONS

Recessed Trimmed Track

READ ALL OF THESE INSTALLATION INSTRUCTIONS BEFORE INSTALLING THE TRACK SYSTEM. SAVE THESE INSTRUCTIONS AND REFER TO THEM WHEN ADDITIONS TO OR CHANGES IN THE TRACK CONFIGURATION ARE MADE

1. Product to be installed by a qualified electrician
2. Use only with class 2 power unit
3. 24 Volts DC
4. Suitable for dry locations only
5. 96W max, 24ft max, and 3 Electrical Joiners max per power feed.
6. Mechanical Joiners and End Cap isolate power circuits. Electrical Joiners are used to continue power down the track.
7. System shapes and power feed locations shown are for reference only. Refer to custom drawing package for the particulars of a specific custom system.



REVO.5
12052023

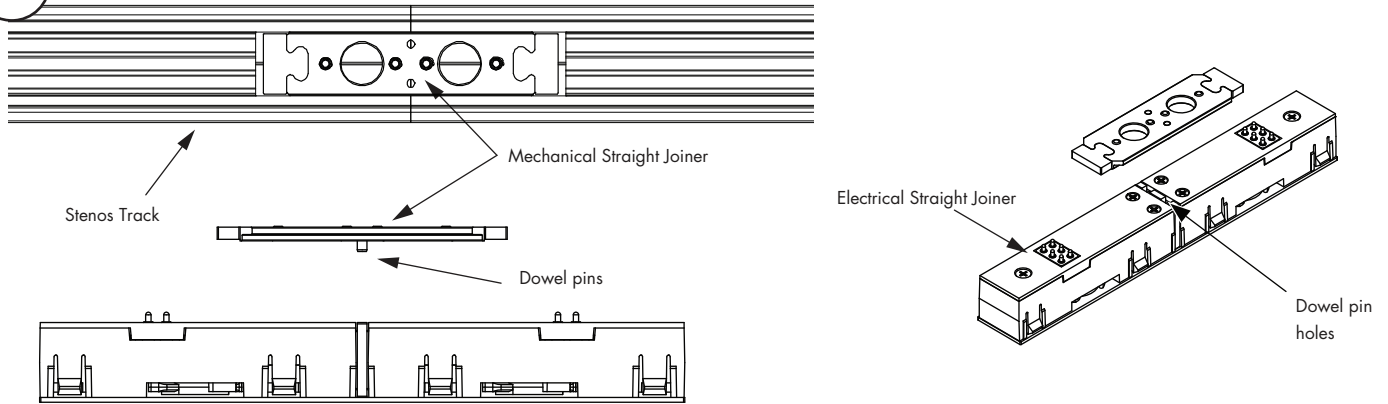
5 / 17



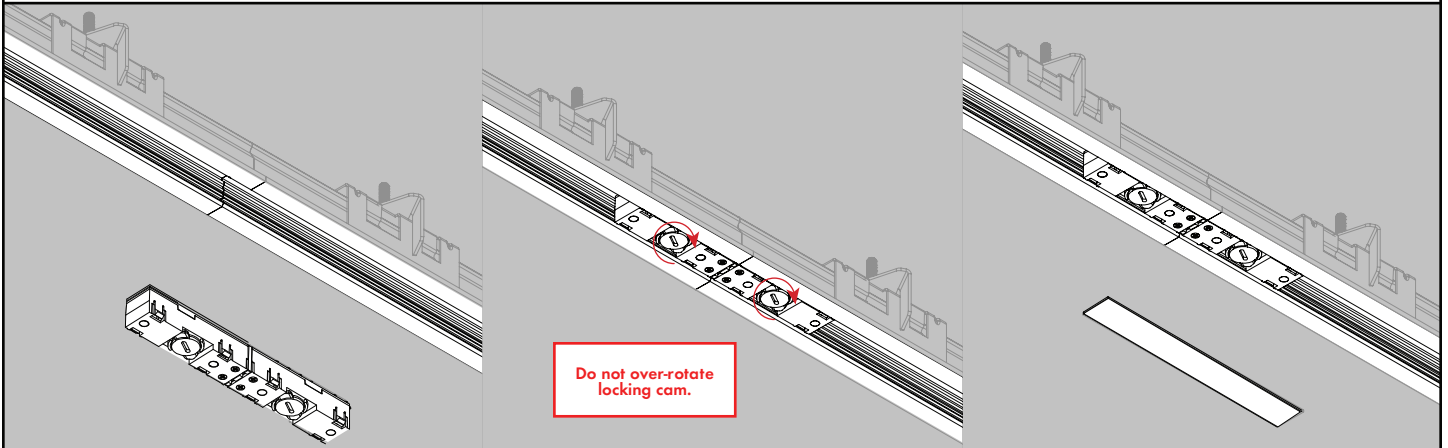
7777 Merrimac Ave
Niles, IL 60714
T 224.333.6033
F 224.757.7557
info@luminii.com
www.luminii.com

Install Electrical Straight Joiners Magnetic Cover Plates (if continuous row mounting)

S.8



S.8 Align Electrical Straight Joiner dowel pin holes with dowel pins of Mechanical Straight Joiner



Perform a continuity check between the track conductors and the power cable to ensure that the power feed/joiner is sitting properly in the track.

- S.9** Snap Electrical Straight Joiner into Track
- S.10** Rotate locking cams, securing Electrical Straight Joiner to track. Do not over-rotate locking cam.
- S.11** Place magnetic Cover Plate over Electrical Straight Joiner

STENOS INSTALLATION INSTRUCTIONS

Recessed Trimmed Track

**READ ALL OF THESE INSTALLATION INSTRUCTIONS BEFORE INSTALLING THE TRACK SYSTEM.
SAVE THESE INSTRUCTIONS AND REFER TO THEM WHEN ADDITIONS TO OR CHANGES IN THE TRACK CONFIGURATION ARE MADE**

1. Product to be installed by a qualified electrician
2. Use only with class 2 power unit
3. 24 Volts DC
4. Suitable for dry locations only
5. 96W max, 24ft max, and 3 Electrical Joiners max per power feed.
6. Mechanical Joiners and End Cap isolate power circuits. Electrical Joiners are used to continue power down the track.
7. System shapes and power feed locations shown are for reference only. Refer to custom drawing package for the particulars of a specific custom system.



REVO.5
12052023

6 / 17



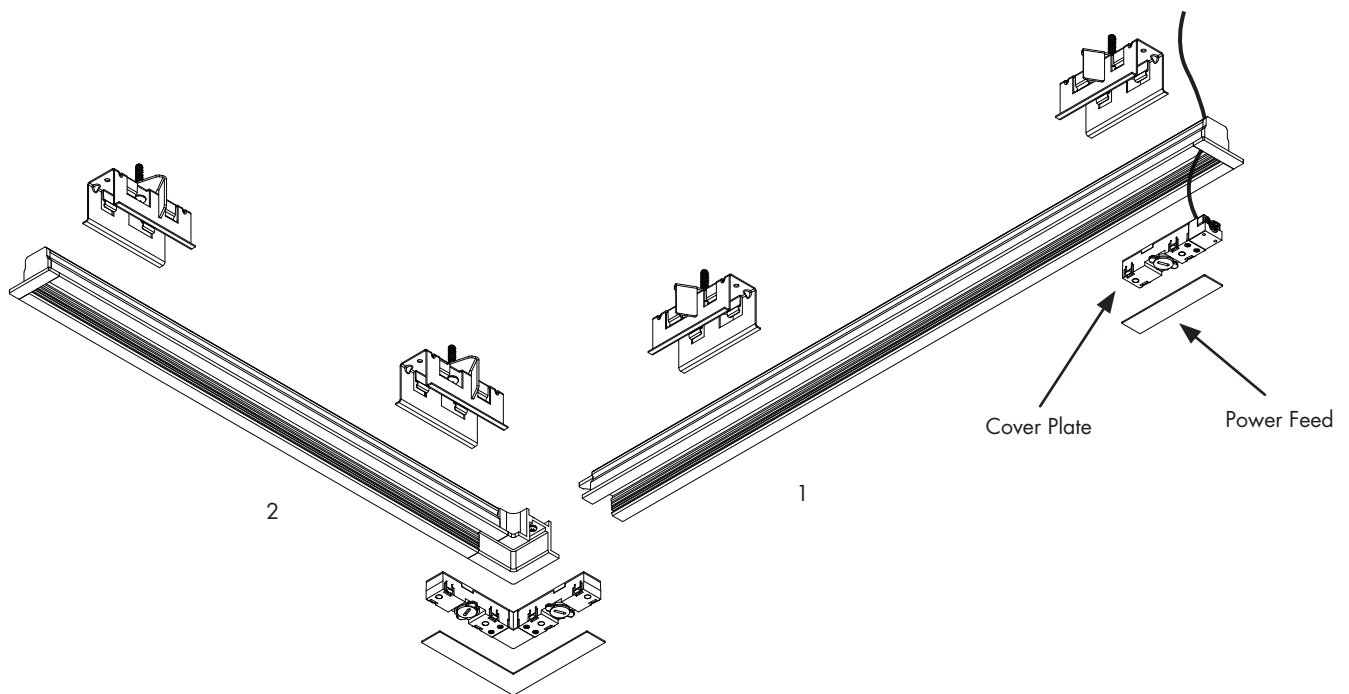
7777 Merrimac Ave
Niles, IL 60714
T 224.333.6033
F 224.757.7557
info@luminii.com
www.luminii.com

L - Recessed Trimmed Track - L Shape

Track Installation Sequence

ATTENTION!

Make sure to install the tracks in the order that are specified on this page.



STENOS INSTALLATION INSTRUCTIONS

Recessed Trimmed Track



7777 Merrimac Ave
Niles, IL 60714
T 224.333.6033
F 224.757.7557
info@luminii.com
www.luminii.com

READ ALL OF THESE INSTALLATION INSTRUCTIONS BEFORE INSTALLING THE TRACK SYSTEM. SAVE THESE INSTRUCTIONS AND REFER TO THEM WHEN ADDITIONS TO OR CHANGES IN THE TRACK CONFIGURATION ARE MADE

1. Product to be installed by a qualified electrician
2. Use only with class 2 power unit
3. 24 Volts DC
4. Suitable for dry locations only
5. 96W max, 24ft max, and 3 Electrical Joiners max per power feed.
6. Mechanical Joiners and End Cap isolate power circuits. Electrical Joiners are used to continue power down the track.
7. System shapes and power feed locations shown are for reference only. Refer to custom drawing package for the particulars of a specific custom system.

REVO.5
12052023
7 / 17

Marking location and installing mounting brackets

L.1

Track Length	# of Brackets
4ft	3
8ft	4
12ft	6

L.1 IMPORTANT! Brackets are to be mounted 3-4" from the end of the track, and spaced apart no greater than 22". All measurements are from the centerline of the bracket.

L.2 With drywall already installed, create a cutout in the ceiling 1-1/16" wide by (track length + 3/8") length. Take great care when cutting open the channel as you will only have 0.18" lip on the mounting bracket. Refer to approved Custom Layout Drawing by Luminii for precise ceiling cutout dimensions. Insert the mounting brackets into the ceiling cutout. Turn screw to rotate wing clamp and tighten until mounting bracket is secured to the ceiling.

L.3 Route Power Feed Cable through pre-drilled hole in track and make connection to power supply or junction box (by others). Then insert the track into the mounting brackets to engage the spring clips, securing the track in place.

L.4 Snap Power Feed Connector into Track. Rotate locking cam, securing Power Feed Connector to track. **Do not over-rotate locking cam.** Place magnetic Cover Plate over Power Feed Connector.

STENOS INSTALLATION INSTRUCTIONS

Recessed Trimmed Track



luminii

7777 Merrimac Ave
Niles, IL 60714
T 224.333.6033
F 224.757.7557
info@luminii.com
www.luminii.com

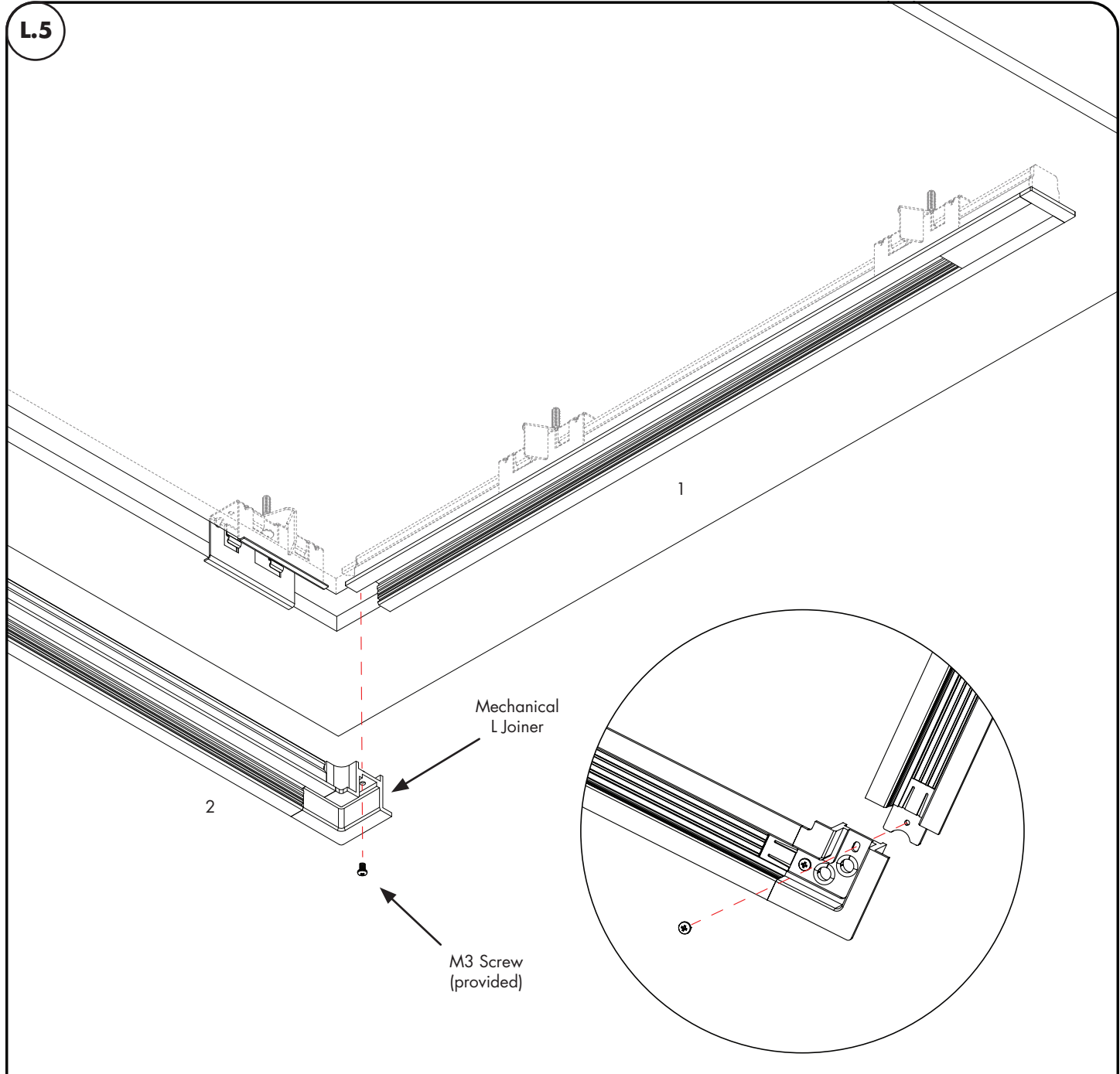
**READ ALL OF THESE INSTALLATION INSTRUCTIONS BEFORE INSTALLING THE TRACK SYSTEM.
SAVE THESE INSTRUCTIONS AND REFER TO THEM WHEN ADDITIONS TO OR CHANGES IN THE TRACK CONFIGURATION ARE MADE**

1. Product to be installed by a qualified electrician
2. Use only with class 2 power unit
3. 24 Volts DC
4. Suitable for dry locations only
5. 96W max, 24ft max, and 3 Electrical Joiners max per power feed.
6. Mechanical Joiners and End Cap isolate power circuits. Electrical Joiners are used to continue power down the track.
7. System shapes and power feed locations shown are for reference only. Refer to custom drawing package for the particulars of a specific custom system.

REVO.5
12052023

8 / 17

Mount next track section in the ceiling and join to previous track section(s)



- L.5** Once track section 1 is attached to the surface, raise track section 2 making sure to line the track up neatly with the mounting brackets. Insert track section 2 into mounting brackets to engage the spring clips, securing the track.
- L.6** Assemble track section 2 to track section 1 and tighten M3 screws (provided) on Mechanical L Joiner.
- L.7** If this leg consists of multiple track sections joined continuously, refer to steps S.5 - S.7 for continuous row mounting.

STENOS INSTALLATION INSTRUCTIONS

Recessed Trimmed Track

READ ALL OF THESE INSTALLATION INSTRUCTIONS BEFORE INSTALLING THE TRACK SYSTEM. SAVE THESE INSTRUCTIONS AND REFER TO THEM WHEN ADDITIONS TO OR CHANGES IN THE TRACK CONFIGURATION ARE MADE

1. Product to be installed by a qualified electrician
2. Use only with class 2 power unit
3. 24 Volts DC
4. Suitable for dry locations only
5. 96W max, 24ft max, and 3 Electrical Joiners max per power feed.
6. Mechanical Joiners and End Cap isolate power circuits. Electrical Joiners are used to continue power down the track.
7. System shapes and power feed locations shown are for reference only. Refer to custom drawing package for the particulars of a specific custom system.



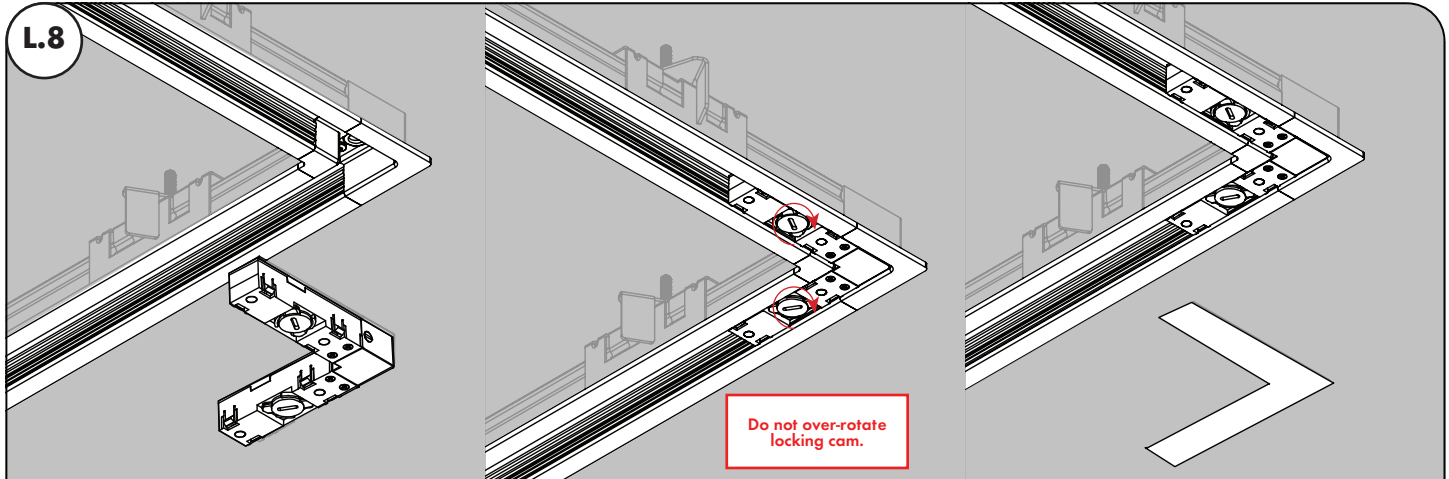
REVO.5
12052023

9 / 17



7777 Merrimac Ave
Niles, IL 60714
T 224.333.6033
F 224.757.7557
info@luminii.com
www.luminii.com

Install Electrical L Joiner and Magnetic Cover Plates



Perform a continuity check between the track conductors and the power cable to ensure that the power feed/joiner is sitting properly in the track.

- L.8** Snap Electrical L Joiner into Track
- L.9** Rotate locking cams, securing Electrical L Joiner to track. **Do not over-rotate locking cam.**
- L.10** Place magnetic Cover Plate over Electrical L Joiner .

STENOS INSTALLATION INSTRUCTIONS

Recessed Trimmed Track

**READ ALL OF THESE INSTALLATION INSTRUCTIONS BEFORE INSTALLING THE TRACK SYSTEM.
SAVE THESE INSTRUCTIONS AND REFER TO THEM WHEN ADDITIONS TO OR CHANGES IN THE TRACK CONFIGURATION ARE MADE**

1. Product to be installed by a qualified electrician
2. Use only with class 2 power unit
3. 24 Volts DC
4. Suitable for dry locations only
5. 96W max, 24ft max, and 3 Electrical Joiners max per power feed.
6. Mechanical Joiners and End Cap isolate power circuits. Electrical Joiners are used to continue power down the track.
7. System shapes and power feed locations shown are for reference only. Refer to custom drawing package for the particulars of a specific custom system.



REVO.5
12052023

10 / 17



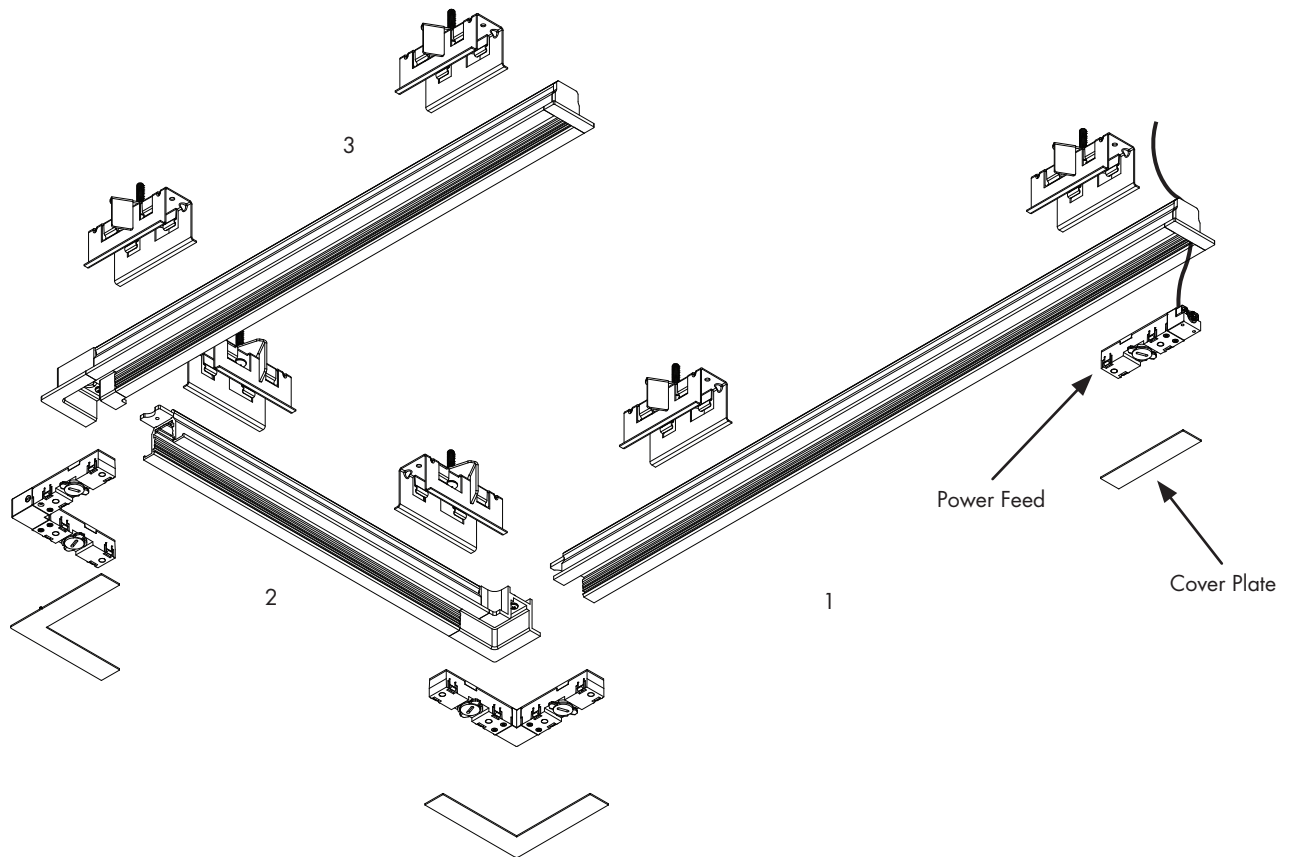
7777 Merrimac Ave
Niles, IL 60714
T 224.333.6033
F 224.757.7557
info@luminii.com
www.luminii.com

U - Recessed Trimmed Track - U Shape

Track Installation Sequence

ATTENTION!

Make sure to install the tracks in the order that are specified on this page.



STENOS INSTALLATION INSTRUCTIONS

Recessed Trimmed Track



7777 Merrimac Ave
Niles, IL 60714
T 224.333.6033
F 224.757.7557
info@luminii.com
www.luminii.com

REVO.5
12052023

11 / 17

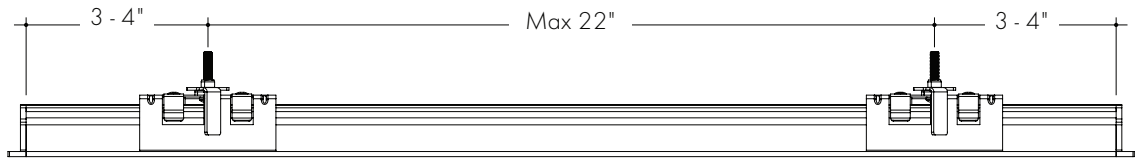
READ ALL OF THESE INSTALLATION INSTRUCTIONS BEFORE INSTALLING THE TRACK SYSTEM. SAVE THESE INSTRUCTIONS AND REFER TO THEM WHEN ADDITIONS TO OR CHANGES IN THE TRACK CONFIGURATION ARE MADE

1. Product to be installed by a qualified electrician
2. Use only with class 2 power unit
3. 24 Volts DC
4. Suitable for dry locations only
5. 96W max, 24ft max, and 3 Electrical Joiners max per power feed.
6. Mechanical Joiners and End Cap isolate power circuits. Electrical Joiners are used to continue power down the track.
7. System shapes and power feed locations shown are for reference only. Refer to custom drawing package for the particulars of a specific custom system.

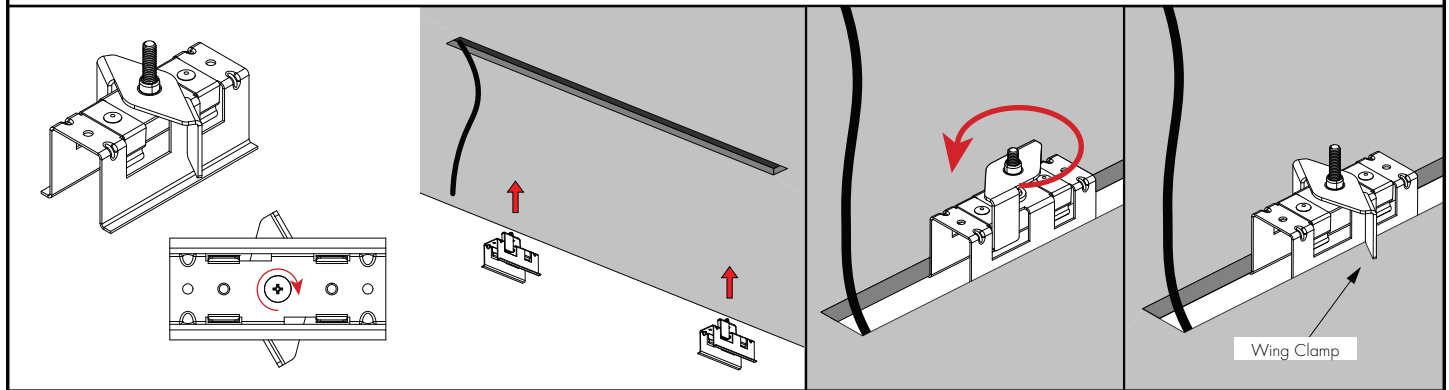
Marking location and installing mounting brackets

U.1

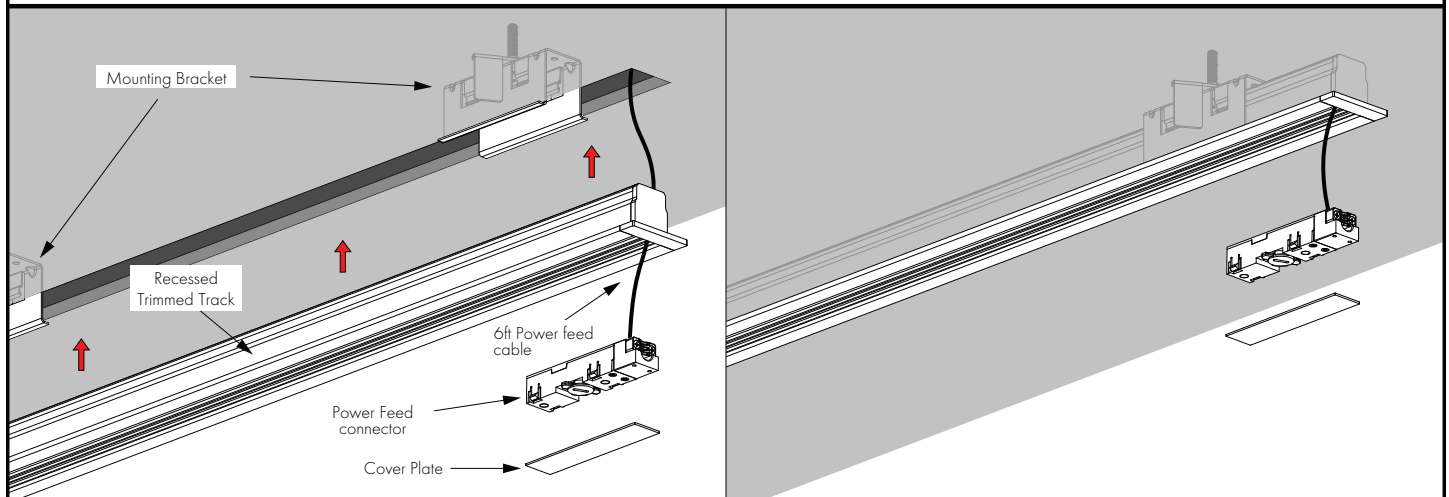
Track Length	# of Brackets
4ft	3
8ft	4
12ft	6



U.1 IMPORTANT! Brackets are to be mounted 3-4" from the end of the track, and spaced apart no greater than 22". All measurements are from the centerline of the bracket.

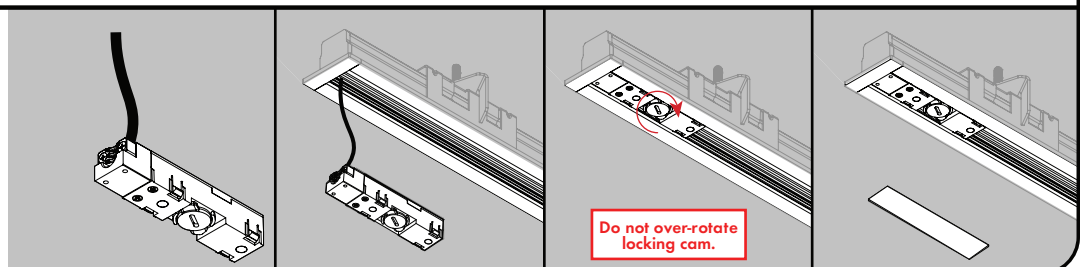


U.2 With drywall already installed, create a cutout in the ceiling 1-1/16" wide by (track length + 3/8") length. Take great care when cutting open the channel as you will only have 0.18" lip on the mounting bracket. Refer to approved Custom Layout Drawing by Luminii for precise ceiling cutout dimensions. Insert the mounting brackets into the ceiling cutout. Turn screw to rotate wing clamp and tighten until mounting bracket is secured to the ceiling.



U.3 Route Power Feed Cable through pre-drilled hole in track and make connection to power supply or junction box (by others). Then insert the track into the mounting brackets to engage the spring clips, securing the track in place.

U.4 Snap Power Feed Connector into Track. Rotate locking cam, securing Power Feed Connector to track. **Do not over-rotate locking cam.** Place magnetic Cover Plate over Power Feed Connector.



STENOS INSTALLATION INSTRUCTIONS

Recessed Trimmed Track



luminii

7777 Merrimac Ave
Niles, IL 60714
T 224.333.6033
F 224.757.7557
info@luminii.com
www.luminii.com

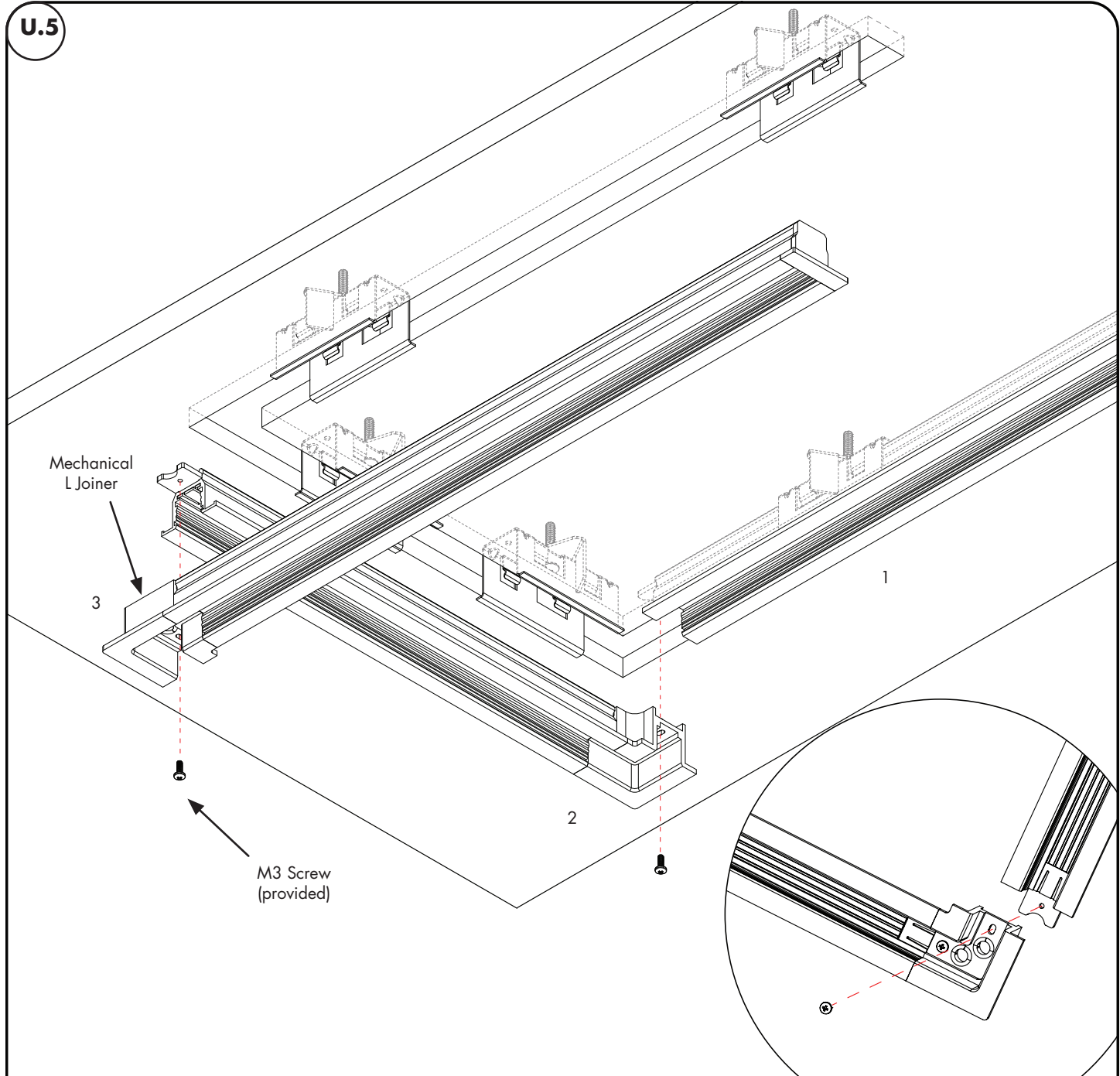
**READ ALL OF THESE INSTALLATION INSTRUCTIONS BEFORE INSTALLING THE TRACK SYSTEM.
SAVE THESE INSTRUCTIONS AND REFER TO THEM WHEN ADDITIONS TO OR CHANGES IN THE TRACK CONFIGURATION ARE MADE**

1. Product to be installed by a qualified electrician
2. Use only with class 2 power unit
3. 24 Volts DC
4. Suitable for dry locations only
5. 96W max, 24ft max, and 3 Electrical Joiners max per power feed.
6. Mechanical Joiners and End Cap isolate power circuits. Electrical Joiners are used to continue power down the track.
7. System shapes and power feed locations shown are for reference only. Refer to custom drawing package for the particulars of a specific custom system.

REVO.5
12052023
12 / 17

Mount next track section to the ceiling and join to previous track section(s)

U.5



- U.5** Once track section 1 is attached to the surface, raise track section 2 making sure to line the track up neatly with the mounting brackets. Insert track section 2 into mounting brackets to engage the spring clips, securing the track.
- U.6** Assemble track section 2 to track section 1 and tighten M3 screws (provided) on Mechanical L Joiner. If this leg consists of multiple track sections joined continuously, refer to steps S.5 - S.7 for continuous row mounting.
- U.7** Raise track section 3 making sure to line the track up neatly with the mounting brackets. Insert track section 3 into mounting brackets to engage the spring clips, securing the track.
- U.8** Assemble track section 3 to track section 2 and tighten M3 screws (provided) on Mechanical L Joiner. If this leg consists of multiple track sections joined continuously, refer to steps S.5 - S.7 for continuous row mounting.

STENOS INSTALLATION INSTRUCTIONS

Recessed Trimmed Track

**READ ALL OF THESE INSTALLATION INSTRUCTIONS BEFORE INSTALLING THE TRACK SYSTEM.
SAVE THESE INSTRUCTIONS AND REFER TO THEM WHEN ADDITIONS TO OR CHANGES IN THE TRACK CONFIGURATION ARE MADE**

1. Product to be installed by a qualified electrician
2. Use only with class 2 power unit
3. 24 Volts DC
4. Suitable for dry locations only
5. 96W max, 24ft max, and 3 Electrical Joiners max per power feed.
6. Mechanical Joiners and End Cap isolate power circuits. Electrical Joiners are used to continue power down the track.
7. System shapes and power feed locations shown are for reference only. Refer to custom drawing package for the particulars of a specific custom system.



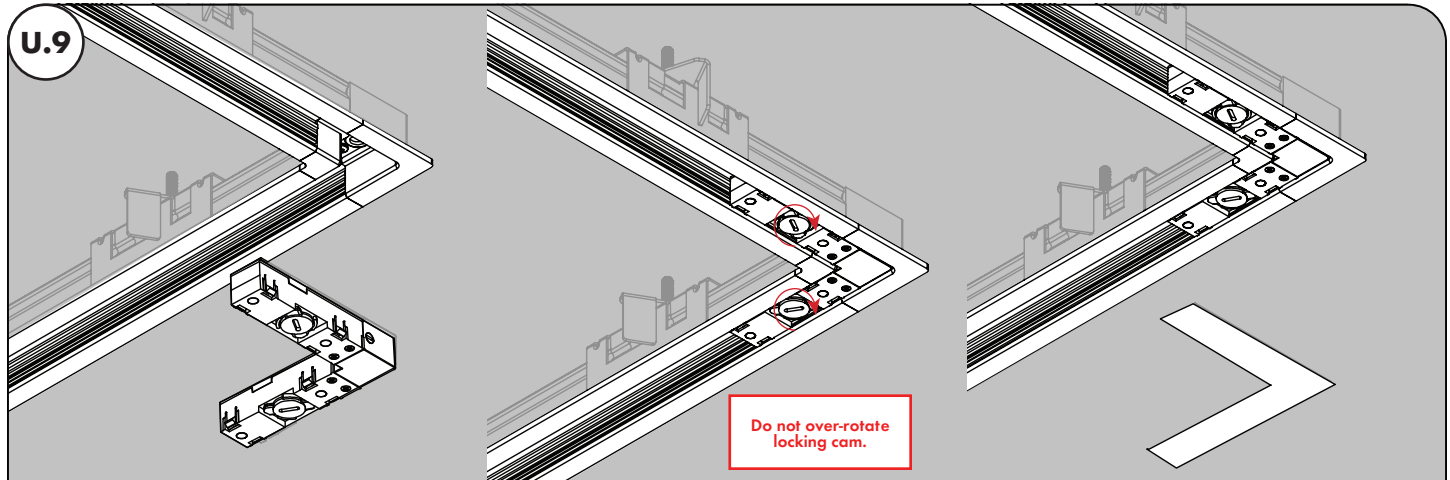
REVO.5
12052023

13 / 17



7777 Merrimac Ave
Niles, IL 60714
T 224.333.6033
F 224.757.7557
info@luminii.com
www.luminii.com

Install Electrical L Joiner and Magnetic Cover Plates



U.9

Do not over-rotate locking cam.

Perform a continuity check between the track conductors and the power cable to ensure that the power feed/joiner is sitting properly in the track.

- U.9** Snap Electrical L Joiner into Track
- U.10** Rotate locking cams, securing Electrical L Joiner to track. **Do not over-rotate locking cam.**
- U.11** Place magnetic Cover Plate over Electrical L Joiner .

STENOS INSTALLATION INSTRUCTIONS

Recessed Trimmed Track

**READ ALL OF THESE INSTALLATION INSTRUCTIONS BEFORE INSTALLING THE TRACK SYSTEM.
SAVE THESE INSTRUCTIONS AND REFER TO THEM WHEN ADDITIONS TO OR CHANGES IN THE TRACK CONFIGURATION ARE MADE**

1. Product to be installed by a qualified electrician
2. Use only with class 2 power unit
3. 24 Volts DC
4. Suitable for dry locations only
5. 96VV max, 24ft max, and 3 Electrical Joiners max per power feed.
6. Mechanical Joiners and End Cap isolate power circuits. Electrical Joiners are used to continue power down the track.
7. System shapes and power feed locations shown are for reference only. Refer to custom drawing package for the particulars of a specific custom system.



REVO.5
12052023

14 / 17



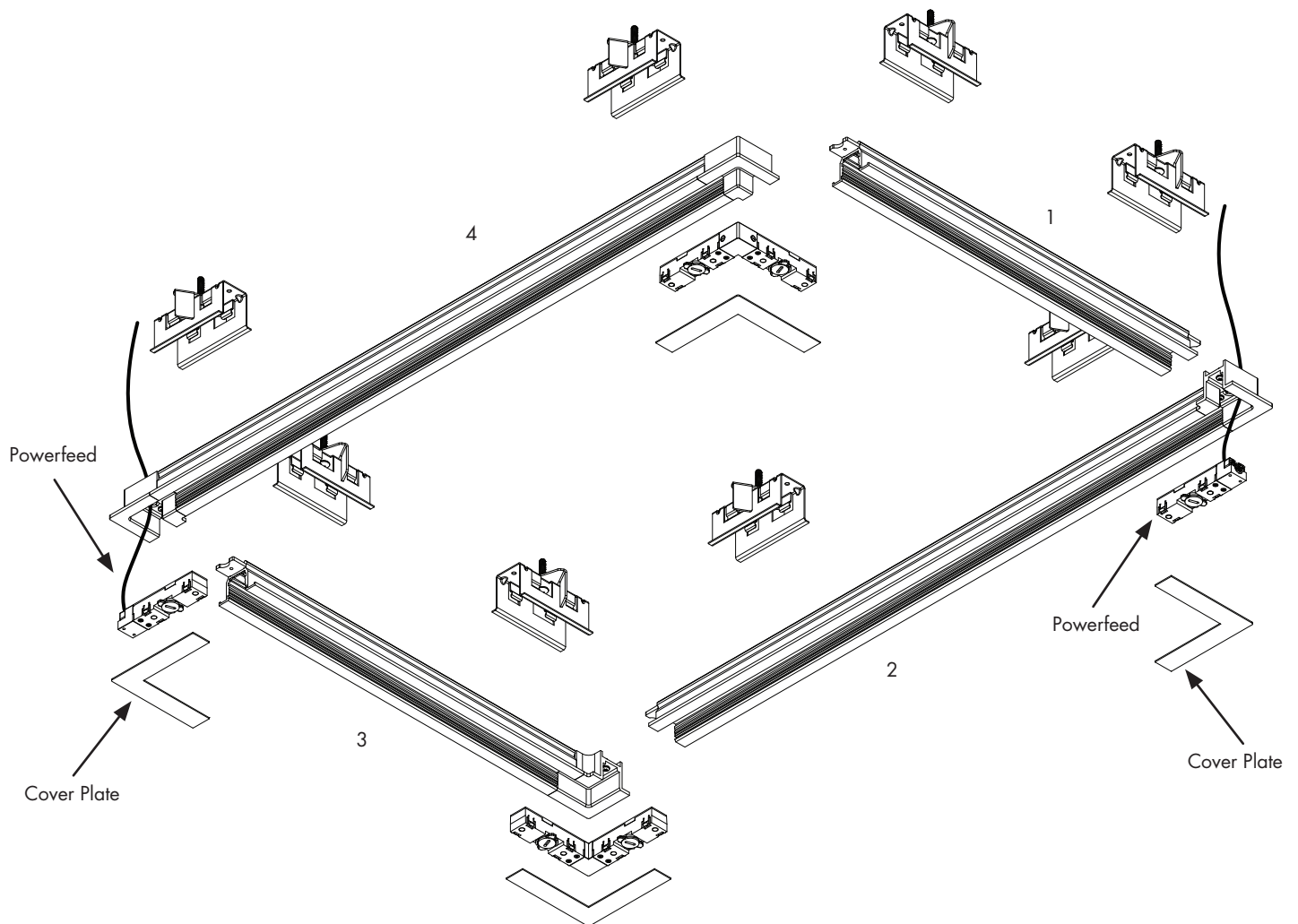
7777 Merrimac Ave
Niles, IL 60714
T 224.333.6033
F 224.757.7557
info@luminii.com
www.luminii.com

R - Recessed Trimmed Track - Rectangle

Track Installation Sequence

ATTENTION!

Make sure to install the tracks in the order that are specified on this page.



STENOS INSTALLATION INSTRUCTIONS

Recessed Trimmed Track



7777 Merrimac Ave
Niles, IL 60714
T 224.333.6033
F 224.757.7557
info@luminii.com
www.luminii.com

READ ALL OF THESE INSTALLATION INSTRUCTIONS BEFORE INSTALLING THE TRACK SYSTEM. SAVE THESE INSTRUCTIONS AND REFER TO THEM WHEN ADDITIONS TO OR CHANGES IN THE TRACK CONFIGURATION ARE MADE

1. Product to be installed by a qualified electrician
2. Use only with class 2 power unit
3. 24 Volts DC
4. Suitable for dry locations only
5. 96W max, 24ft max, and 3 Electrical Joiners max per power feed.
6. Mechanical Joiners and End Cap isolate power circuits. Electrical Joiners are used to continue power down the track.
7. System shapes and power feed locations shown are for reference only. Refer to custom drawing package for the particulars of a specific custom system.

REVO.5
12052023
15 / 17

Marking location and installing mounting brackets

R.1

Track Length	# of Brackets
4ft	3
8ft	4
12ft	6

R.1 IMPORTANT! Brackets are to be mounted 3-4" from the end of the track, and spaced apart no greater than 22". All measurements are from the centerline of the bracket.

Wing Clamp

R.2 With drywall already installed, create a cutout in the ceiling 1-1/16" wide by (track length + 3/8") length. Take great care when cutting open the channel as you will only have 0.18" lip on the mounting bracket. Refer to approved Custom Layout Drawing by Luminii for precise ceiling cutout dimensions. Insert the mounting brackets into the ceiling cutout. Turn screw to rotate wing clamp and tighten until mounting bracket is secured to the ceiling.

Mounting Bracket

Recessed Trimmed Track

R.3 Insert track section 1 into the mounting brackets to engage the spring clips, securing the track in place.

R.4 Route Power Feed Cables through pre-drilled holes in track sections 2 and 4. Snap Power Feed Connectors into the tracks. Rotate locking cams, securing Power Feed Connectors to track.
Do not over-rotate cam.
Place magnetic Cover Plate over Power Feed Connector.

2

4

Do not over-rotate locking cam.

Do not over-rotate locking cam.

STENOS INSTALLATION INSTRUCTIONS

Recessed Trimmed Track



luminii

7777 Merrimac Ave
Niles, IL 60714
T 224.333.6033
F 224.757.7557
info@luminii.com
www.luminii.com

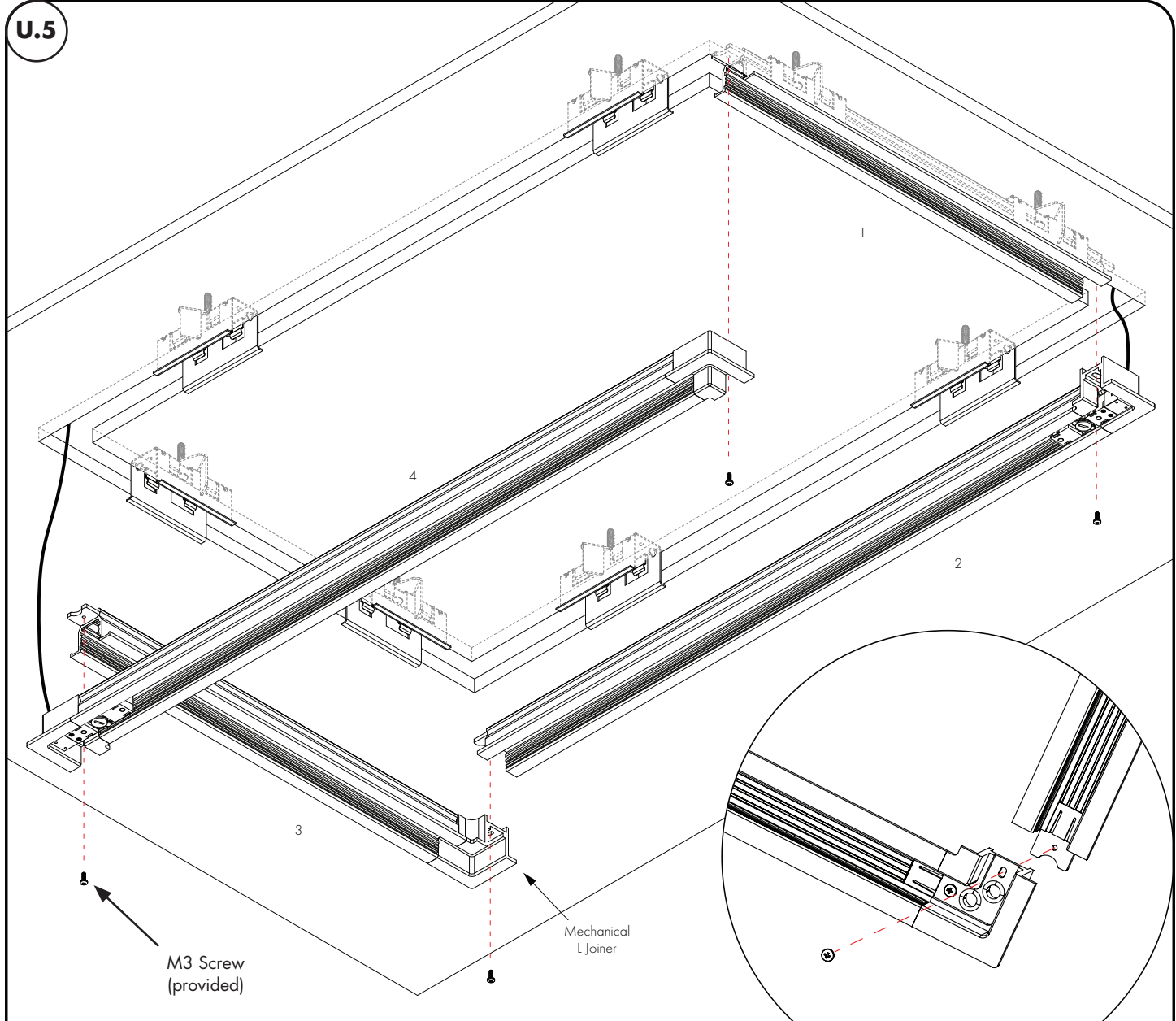
**READ ALL OF THESE INSTALLATION INSTRUCTIONS BEFORE INSTALLING THE TRACK SYSTEM.
SAVE THESE INSTRUCTIONS AND REFER TO THEM WHEN ADDITIONS TO OR CHANGES IN THE TRACK CONFIGURATION ARE MADE**

1. Product to be installed by a qualified electrician
2. Use only with class 2 power unit
3. 24 Volts DC
4. Suitable for dry locations only
5. 96W max, 24ft max, and 3 Electrical Joiners max per power feed.
6. Mechanical Joiners and End Cap isolate power circuits. Electrical Joiners are used to continue power down the track.
7. System shapes and power feed locations shown are for reference only. Refer to custom drawing package for the particulars of a specific custom system.

REVO.5
12052023
16 / 17

Mount next track section to the ceiling and join to previous track section(s)

U.5



- R.5** Once track section 1 is attached in the ceiling, raise track section 2 making sure to line the track up neatly with the mounting brackets.
- R.6** Route Power Feed Cable of track section 2 through hole in ceiling and make connection to power supply or junction box (by others). Insert track section 2 into mounting brackets to engage the spring clips, securing the track.
- R.7** Assemble track section 2 to track section 1 and tighten M3 screws (provided) on Mechanical L Joiner. If this leg consists of multiple track sections joined continuously, refer to steps S.5 - S.7 for continuous row mounting.
- R.8** Raise track section 3 making sure to line the track up neatly with the mounting brackets. Insert track section 3 into mounting brackets to engage the spring clips, securing the track.
- R.9** Assemble track section 3 to track section 2 and tighten M3 screws (provided) on Mechanical L Joiner. If this leg consists of multiple track sections joined continuously, refer to steps S.5 - S.7 for continuous row mounting.
- R.10** Raise track section 4 making sure to line the track up neatly with mounting brackets.
- R.11** Route Power Feed Cable of track section 4 through hole in ceiling and make connection to power supply or junction box (by others). Insert track section 4 into mounting brackets to engage the spring clips, securing the track.
- R.12** Assemble track section 4 to track section 3 and tighten M3 screws (provided) on Mechanical L Joiner. If this leg consists of multiple track sections joined continuously, refer to steps S.5 - S.7 for continuous row mounting.

STENOS INSTALLATION INSTRUCTIONS

Recessed Trimmed Track

**READ ALL OF THESE INSTALLATION INSTRUCTIONS BEFORE INSTALLING THE TRACK SYSTEM.
SAVE THESE INSTRUCTIONS AND REFER TO THEM WHEN ADDITIONS TO OR CHANGES IN THE TRACK CONFIGURATION ARE MADE**

1. Product to be installed by a qualified electrician
2. Use only with class 2 power unit
3. 24 Volts DC
4. Suitable for dry locations only
5. 96W max, 24ft max, and 3 Electrical Joiners max per power feed.
6. Mechanical Joiners and End Cap isolate power circuits. Electrical Joiners are used to continue power down the track.
7. System shapes and power feed locations shown are for reference only. Refer to custom drawing package for the particulars of a specific custom system.

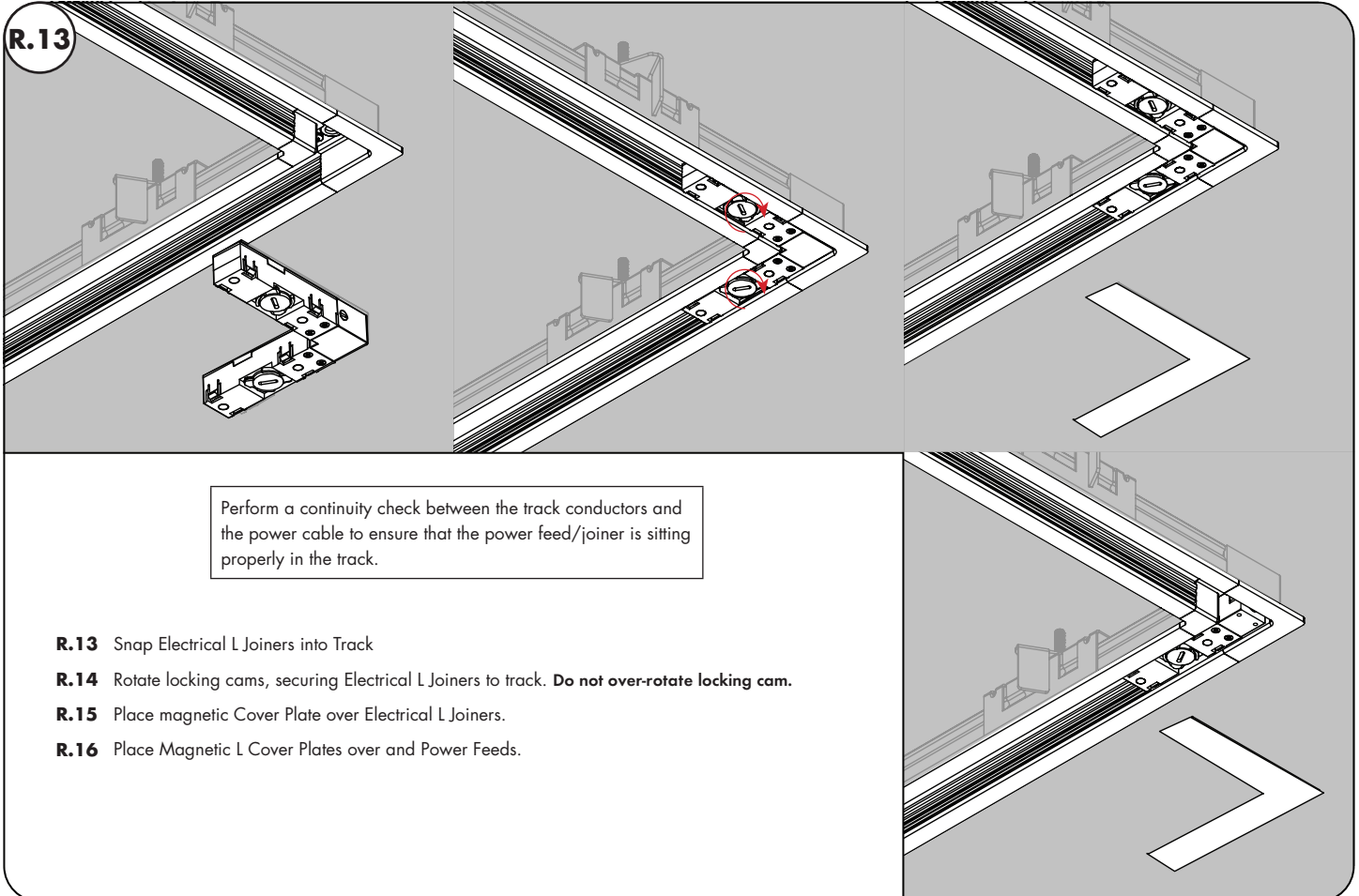


REVO.5
12052023

17 / 17



7777 Merrimac Ave
Niles, IL 60714
T 224.333.6033
F 224.757.7557
info@luminii.com
www.luminii.com



Perform a continuity check between the track conductors and the power cable to ensure that the power feed/joiner is sitting properly in the track.

- R.13** Snap Electrical L Joiners into Track
- R.14** Rotate locking cams, securing Electrical L Joiners to track. **Do not over-rotate locking cam.**
- R.15** Place magnetic Cover Plate over Electrical L Joiners.
- R.16** Place Magnetic L Cover Plates over and Power Feeds.