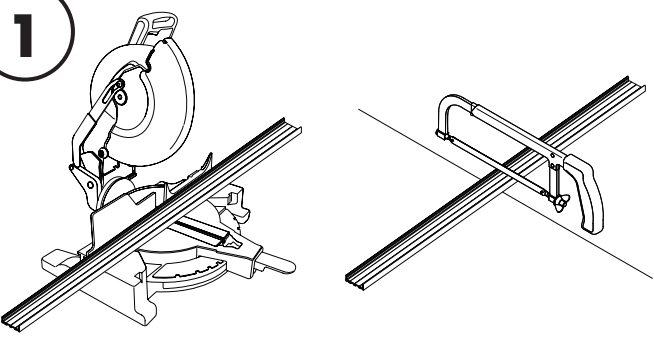


Please read all instructions prior to installation and keep for future reference!

1. Product should be installed by a qualified electrician.
2. Prior to installation ensure power is off at fuse box to prevent electrical shock.

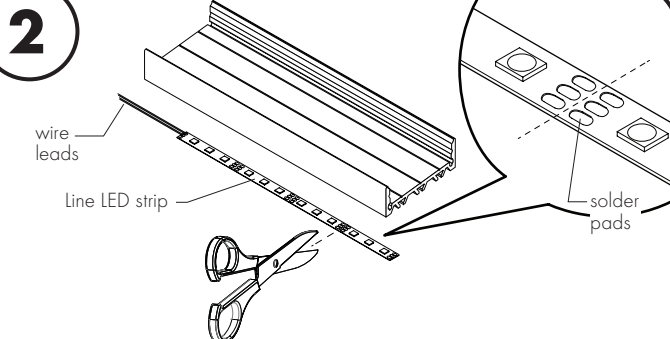
Page 1 of 1

1



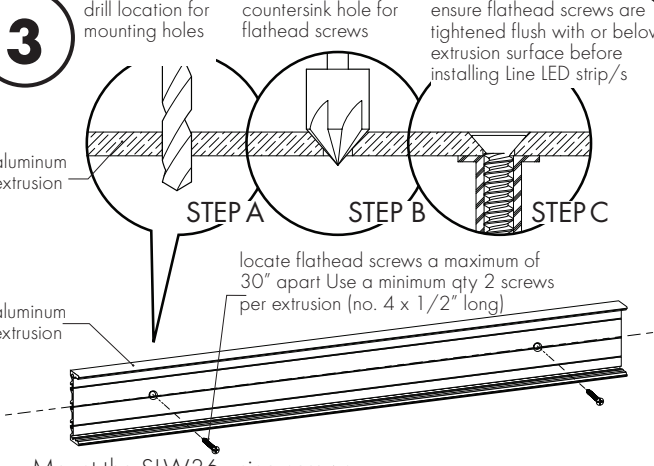
Always wear safety goggles when cutting. If required for installation cut SLW36 aluminum extrusion to desired length with hacksaw or miter saw that has an appropriate blade for cutting aluminum.

2



If required to fit the new SLW36 extrusion length, cut down the Line LED strip/s in between two rows of solder pads. Always cut Line LED from end without connector/wire leads. Ensure that Line LED strip fits **completely** inside the extrusion and the solder pads do not touch any metal parts to avoid shorting.

3



drill location for mounting holes
countersink hole for flathead screws
ensure flathead screws are tightened flush with or below extrusion surface before installing Line LED strip/s

STEP A STEP B STEP C

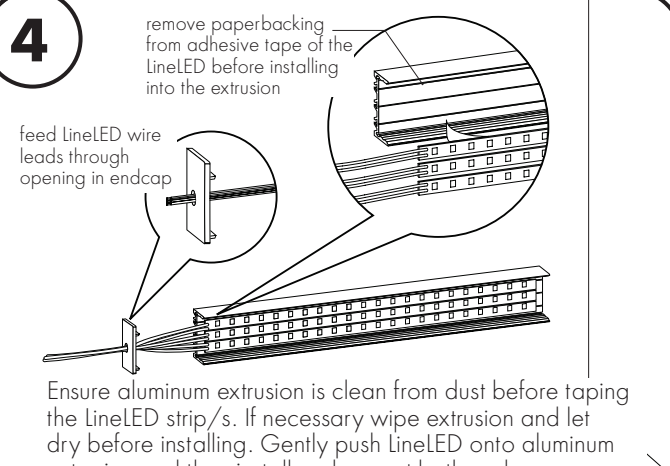
aluminum extrusion

locate flathead screws a maximum of 30" apart Use a minimum qty 2 screws per extrusion (no. 4 x 1/2" long)

aluminum extrusion

Mount the SLW36 using screws.

4

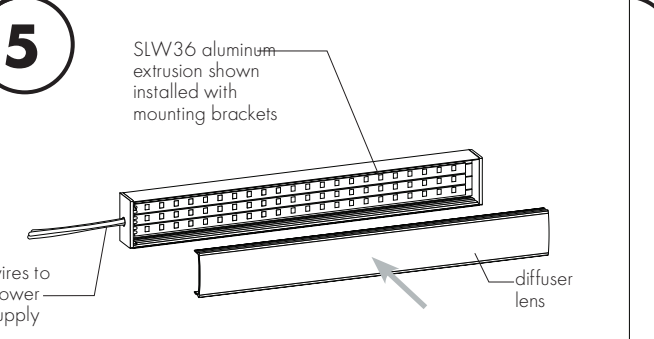


remove paperbacking from adhesive tape of the LineLED before installing into the extrusion

feed LineLED wire leads through opening in endcap

Ensure aluminum extrusion is clean from dust before taping the LineLED strip/s. If necessary wipe extrusion and let dry before installing. Gently push LineLED onto aluminum extrusion and then install endcaps at both ends.

5



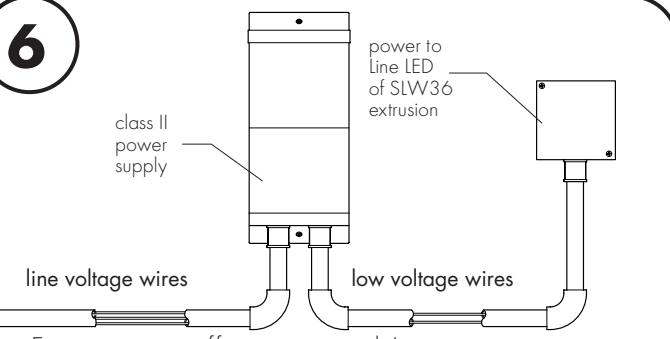
SLW36 aluminum extrusion shown installed with mounting brackets

wires to power supply

diffuser lens

Size polycarbonate diffuser lens by cutting to appropriate length to fit aluminum extrusion. Install lens by snapping into aluminum extrusion.

6



class II power supply

power to Line LED of SLW36 extrusion

line voltage wires

low voltage wires

Ensure power is off to power supply!

Also ensure the correct (wattage and voltage) power supply is used to power Line LED. Then proceed to connect Line LED wires from SLW36 extrusion to power supply. For more information please refer to power supply and Line LED wiring instructions.