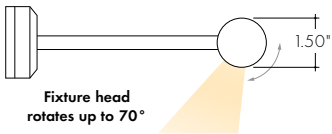


Features

- 24VDC Class 2 fixtures made to order up to 232".
- Approved for closet/storage space installation per NEC 410.16(A)(3) and 410.16(C)(5)
- Class 2 listed for damp locations
- Dot free even illumination with frosted lens
- Proprietary strong bond solder method handles up to 50 lbs of pull force on wire leads and connectors
- High Color Quality options offer premium quality and vibrant colors with R9 values up to 97
- High Efficacy options offer best in class output and efficacy with over 720 lm/ft and up to 91 lm/W
- 5 Year warranty



Finish Options (see page 2 for additional information)

- Silver Anodized
- White
- Aged Brass
- Black
- Matte Black
- Polished Gold
- Bronze
- Warm Nickel
- Chrome



Technical Information

MODEL	High Color Quality		High Efficacy				High Efficacy	
	60X2HO	60X2VHO	HE48LO	HE48SO	HE48MO	HE48HO	HE64VHO	HE64XHO
OUTPUT OPTIONS								
Lumens Output (3000K) <small>(with a Clear Lens)</small>	433 lm/ft	541 lm/ft	172 lm/ft	238 lm/ft	318 lm/ft	510 lm/ft	646 lm/ft	726 lm/ft
Average Power Consumption <small>(for a 4' section)</small>	7.3 W/ft	9.4 W/ft	1.9 W/ft	2.8 W/ft	3.5 W/ft	6.5 W/ft	7.5 W/ft	9.6 W/ft
Efficacy	59 lm/W	58 lm/W	91 lm/W	85 lm/W	91 lm/W	78 lm/W	86 lm/W	76 lm/W
Max Run Length <small>(in series)</small>	26 ft	21 ft	48 ft	42 ft	33 ft	21 ft	15 ft	13 ft
Max Ambient Temperature*	50°C [122°F]		50°C [122°F]				50°C [122°F]	

*Max Ambient Temperature to maintain L70 of 50k+ hours. Exceeding Max Ambient Temperature may result in decreased life/output. Consult Technical Support for specific inquiries.

High Color Quality (60X2)

CCT	Multiplier <small>(reference - 3000K)</small>	TM-30			
		CRI	R _f	R _g	R ₉
1900K	0.55	96	94	97	90
2200K	0.70	96	95	101	89
2400K	0.72	98	97	101	91
2700K	0.74	97	96	101	91
3000K	1.00	97	95	104	97
3500K	1.02	97	94	105	97
4100K	1.07	97	90	99	97

High Efficacy (HE48/HE64)

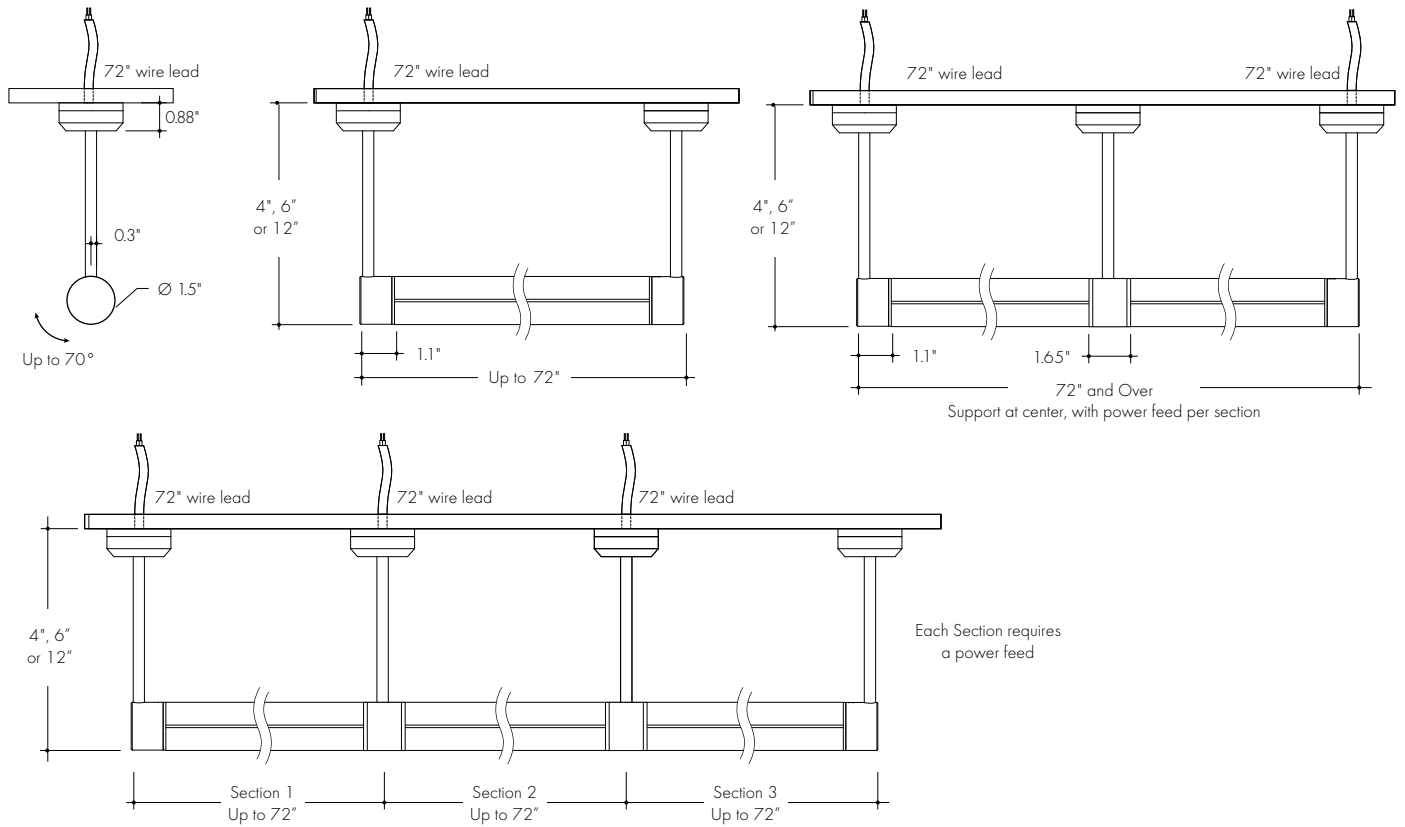
CCT	Multiplier <small>(reference - 3000K)</small>	TM-30			
		CRI	R _f	R _g	R ₉
2200K	0.73	92	91	97	42
2500K	0.81	93	96	96	62
2700K	0.94	92	90	99	58
3000K	1.00	92	89	99	57
3500K	1.02	92	89	99	60
4000K	1.02	92	86	94	71

Ordering Code

MODEL	LENGTH ¹	OUTPUT	CCT	LENS ²	MOUNTING	FINISH ³
RUNW-Runda Wall	12" - 232" 1" increments	60X2HO-High 60X2VHO-Very High	22K-2200K 24K-2400K 27K-2700K 30K-3000K 35K-3500K 41K-4100K	C-Clear F-Frosted	4-4" Arm Length 6-6" Arm Length 12-12" Arm Length	SA-Silver Anodized BK-Black BZ-Bronze WH-White MBK-Matte Black WN-Warm Nickel AB-Aged Brass PG-Polished Gold ⁴ CH-Chrome ⁴
	12" - 232" 2" increments	HE48LO-Low HE48SO-Standard HE48MO-Medium HE48HO-High HE64VHO-Very High HE64XHO-Max	22K-2200K 25K-2500K 27K-2700K 30K-3000K 35K-3500K 40K-4000K			

1 - Custom lengths and increments are available, please consult Inside Sales with specific request.
 2 - All High Efficacy options can be used to comply with Title 24 JA8. High Color Quality options can be used to comply with Title 24 JA8 depending on Output, CCT, and Lens selections. See multiplier charts to calculate specific efficacies.
 3 - Non SA finishes may have extended lead times. Custom RALs are available, please consult Inside Sales with specific request.
 4 - Polished Gold finishes have a maximum section length of 48", and Chrome finishes have a maximum section length of 72".

Product Dimensions



Finish Options

- Finish options are available in a wide variety, allowing for complete customization of style and aesthetic.
- Non Silver Anodized finishes may have extended lead times.
- Polished Gold finish has a maximum fixture length of 48" and Chrome finish has a maximum fixture length of 72".
- Custom RALs are available, please consult Inside Sales with specific request.

Silver Anodized



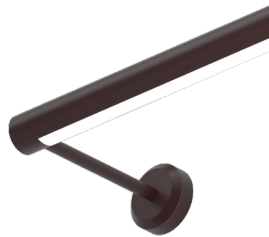
Silver Anodized is a soft silver with a clear finish.

Black



Black is a true deep black with a glossy finish.

Bronze



Bronze is a rich, dark brown with a satin finish.

White



White is a polar bright white and field paintable.

Matte Black



Matte Black is a dark, pitch-black with a soft flat finish.

Warm Nickel



Warm Nickel is a soft, silvery smoke with warm tones and a satin finish.

Aged Brass



Aged Brass is a deep brown shade with slightly golden undertones.

Polished Gold



Polished Gold is bright and radiant for a brilliant finish.

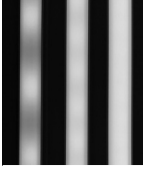
Chrome



Chrome is a highly reflective silver polish.

Light Transmission and Dotting

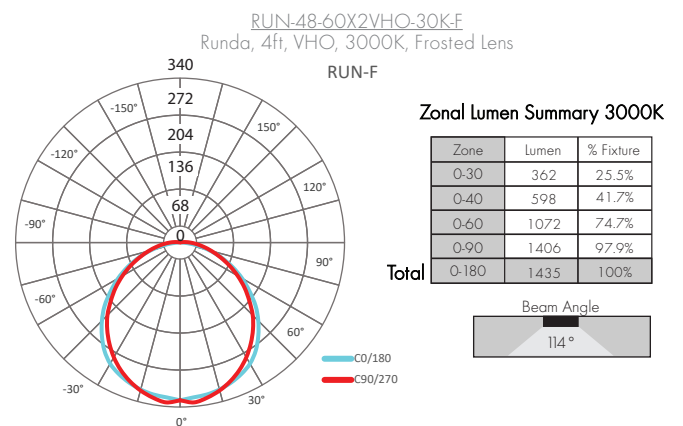
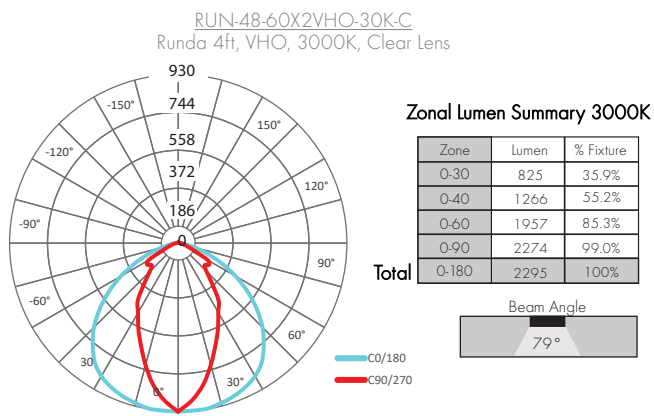
Output Options	Lens/Accessory	
	Clear Lens	Frosted Lens
60X2HO	CD	ND
60X2VHO	CD	ND
HE48LO	CD	ND
HE48SO	CD	ND
HE48MO	CD	ND
HE48HO	CD	ND
HE64VHO	CD	ND
HE64XHO	CD	ND
Transmission Percentage	100%	63%



CD SD ND

CD - Clear Dotting
SD - Slight Dotting
ND - No Dotting

Photometry



Power Consumption

Tested at Full Power with PDC Series power supplies.

Standard Nominal Lengths offered provide minimal shadowing. For alternate lengths, please consult Inside Sales with specific request.

High Color Quality (60X2)

Nominal Length (in)	Actual Length	Watts		Nominal Length (in)	Actual Length	Watts	
		HO	VHO			HO	VHO
12	11 6/16	8.3	10.4	47	46 8/16	27.1	34.7
13	12 12/16	8.3	10.4	48	47 15/16	27.7	35.3
14	–	–	–	49	–	–	–
15	14 3/16	8.3	10.4	50	49 5/16	28.2	36.0
16	15 9/16	8.9	11.3	51	50 12/16	29.3	37.4
17	17	9.5	12.1	52	–	–	–
18	–	–	–	53	52 2/16	29.9	38.1
19	18 6/16	10.1	12.9	54	53 9/16	31.0	39.5
20	19 13/16	11.3	14.5	55	54 15/16	31.5	40.2
21	–	–	–	56	–	–	–
22	21 3/16	11.9	15.3	57	56 6/16	32.1	40.9
23	22 10/16	13.1	16.9	58	57 12/16	33.1	42.3
24	–	–	–	59	–	–	–
25	24	13.7	17.7	60	59 3/16	33.7	43.0
26	25 7/16	14.3	18.5	61	60 9/16	34.8	44.4
27	26 13/16	15.5	20.2	62	62	35.3	45.1
28	–	–	–	63	–	–	–
29	28 4/16	16.1	20.9	64	63 6/16	35.9	45.8
30	29 10/16	17.3	22.4	65	64 13/16	36.9	47.0
31	–	–	–	66	–	–	–
32	31 1/16	17.9	23.2	67	66 3/16	37.4	47.6
33	32 7/16	19.1	24.7	68	67 10/16	38.4	48.7
34	33 14/16	19.7	25.4	69	–	–	–
35	–	–	–	70	69	38.9	49.3
36	35 4/16	20.3	26.2	71	70 7/16	39.4	49.9
37	36 11/16	21.6	27.7	72	71 13/16	40.4	51.1
38	–	–	–				
39	38 1/16	22.2	28.4				
40	39 8/16	23.3	29.9				
41	40 14/16	23.9	30.5				
42	–	–	–				
43	42 5/16	24.4	31.2				
44	43 11/16	25.5	32.6				
45	–	–	–				
46	45 2/16	26.0	33.3				

Power Consumption

Tested at Full Power with PDC Series power supplies.

Standard Nominal Lengths offered provide minimal shadowing. For alternate lengths, please consult Inside Sales with specific request.

High Efficacy (HE48)

Nominal Length (in)	Actual Length	Watts				Nominal Length (in)	Actual Length	Watts			
		LO	SO	MO	HO			LO	SO	MO	HO
12	10 13/16	1.7	2.5	3.5	5.7	47	46 4/16	6.7	10.2	12.6	23.9
13	12 12/16	1.7	2.5	3.5	5.7	48	-	-	-	-	-
14	-	-	-	-	-	49	48 3/16	6.9	10.7	13.3	24.7
15	14 12/16	1.7	2.5	3.5	5.7	50	-	-	-	-	-
16	-	-	-	-	-	51	50 3/16	7.1	11.2	13.9	25.4
17	16 11/16	2.0	3.0	4.0	7.2	52	-	-	-	-	-
18	-	-	-	-	-	53	52 2/16	7.4	11.7	14.5	26.3
19	18 11/16	2.4	3.5	4.6	8.7	54	-	-	-	-	-
20	-	-	-	-	-	55	54 2/16	7.7	12.3	15.1	27.4
21	20 10/16	2.7	3.9	5.2	10.2	56	-	-	-	-	-
22	-	-	-	-	-	57	56 1/16	8.0	12.9	15.7	28.5
23	22 10/16	3.0	4.4	5.8	11.7	58	-	-	-	-	-
24	-	-	-	-	-	59	58 1/16	8.4	13.5	16.4	29.5
25	24 9/16	3.4	4.9	6.4	13.2	60	-	-	-	-	-
26	-	-	-	-	-	61	60	8.7	14.0	17.0	30.6
27	26 9/16	3.7	5.4	7.0	14.7	62	62	9.0	14.6	17.6	31.6
28	-	-	-	-	-	63	-	-	-	-	-
29	28 8/16	4.1	5.9	7.5	15.8	64	63 15/16	9.4	15.2	18.2	32.6
30	-	-	-	-	-	65	-	-	-	-	-
31	30 8/16	4.4	6.4	8.1	16.8	66	65 15/16	9.7	15.6	18.7	33.7
32	-	-	-	-	-	67	-	-	-	-	-
33	32 7/16	4.8	6.9	8.7	17.9	68	67 14/16	10.0	16.1	19.2	34.7
34	-	-	-	-	-	69	-	-	-	-	-
35	34 7/16	5.0	7.2	9.0	18.5	70	69 14/16	10.4	16.5	19.8	35.7
36	-	-	-	-	-	71	-	-	-	-	-
37	36 6/16	5.4	7.7	9.6	19.5	72	71 13/16	10.7	17.0	20.3	36.7
38	-	-	-	-	-						
39	38 6/16	5.7	8.2	10.2	20.6						
40	-	-	-	-	-						
41	40 5/16	6.0	8.7	10.8	21.5						
42	-	-	-	-	-						
43	42 5/16	6.2	9.2	11.4	22.3						
44	-	-	-	-	-						
45	44 4/16	6.4	9.7	12.0	23.1						
46	-	-	-	-	-						

Power Consumption

Tested at Full Power with PDC Series power supplies.

Standard Nominal Lengths offered provide minimal shadowing. For alternate lengths, please consult Inside Sales with specific request.

High Efficacy (HE64)

Nominal Length (in)	Actual Length	Watts		Nominal Length (in)	Actual Length	Watts	
		VHO	XHO			VHO	XHO
12	10 8/16	7.6	9.7	47	46 13/16	27.6	35.1
13	12	7.6	9.7	48	—	—	—
14	13 8/16	7.6	9.7	49	48 6/16	28.2	35.9
15	—	—	—	50	49 14/16	29.5	37.6
16	15 1/16	7.6	9.7	51	—	—	—
17	16 9/16	8.9	11.3	52	51 6/16	30.1	38.4
18	—	—	—	53	52 14/16	31.4	40.2
19	18 1/16	9.5	12.1	54	—	—	—
20	19 9/16	10.7	13.6	55	54 7/16	32.0	41.1
21	—	—	—	56	55 15/16	33.3	42.9
22	21 2/16	11.4	14.4	57	—	—	—
23	22 10/16	12.6	16.0	58	57 7/16	34.0	43.8
24	—	—	—	59	58 15/16	35.2	45.5
25	24 2/16	13.2	16.8	60	—	—	—
26	25 10/16	14.5	18.3	61	60 7/16	36.5	47.3
27	—	—	—	62	62	37.2	48.2
28	27 2/16	15.1	19.1	63	—	—	—
29	28 11/16	16.4	20.7	64	63 8/16	38.4	50.0
30	—	—	—	65	—	—	—
31	30 3/16	17.0	21.4	66	65	39.1	50.8
32	31 11/16	18.2	23.0	67	66 8/16	40.4	52.5
33	—	—	—	68	—	—	—
34	33 3/16	18.9	23.8	69	68 1/16	41.0	53.4
35	34 12/16	20.1	25.3	70	69 9/16	42.3	55.1
36	—	—	—	71	—	—	—
37	36 4/16	20.7	26.1	72	71 1/16	42.9	55.9
38	37 12/16	22.0	27.6				
39	—	—	—				
40	39 4/16	22.6	28.4				
41	40 13/16	23.9	30.1				
42	—	—	—				
43	42 5/16	24.5	30.9				
44	43 13/16	25.7	32.6				
45	—	—	—				
46	45 5/16	26.4	33.4				

Voltage Drop Calculator

The below chart assumes nominal voltage of 24 Volts and a Voltage Drop Allowance of 3% through the wire

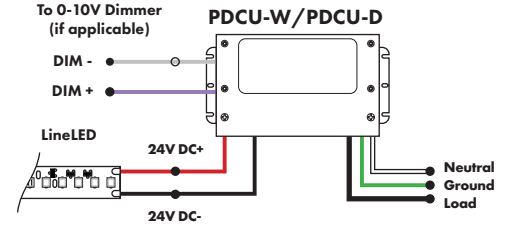
Wattage [W]	Maximum Wire Length From Power Supply to Start of Run [ft]						
	12 AWG	14 AWG	16 AWG	18 AWG	20 AWG	22 AWG	24 AWG
5	1088.2	684.4	430.3	270.6	170.2	107.1	67.3
10	544.1	342.2	215.1	135.3	85.1	53.5	33.7
15	362.7	228.1	143.4	90.2	56.7	35.7	22.4
20	272.0	171.1	107.6	67.7	42.6	26.8	16.8
25	217.6	136.9	86.1	54.1	34.0	21.4	13.5
30	181.4	114.1	71.7	45.1	28.4	17.8	11.2
35	155.5	97.8	61.5	38.7	24.3	15.3	9.6
40	136.0	85.5	53.8	33.8	21.3	13.4	8.4
45	120.9	76.0	47.8	30.1	18.9	11.9	7.5
50	108.8	68.4	43.0	27.1	17.0	10.7	6.7
55	98.9	62.2	39.1	24.6	15.5	9.7	6.1
60	90.7	57.0	35.9	22.6	14.2	8.9	5.6
65	83.7	52.6	33.1	20.8	13.1	8.2	5.2
70	77.7	48.9	30.7	19.3	12.2	7.6	4.8
75	72.5	45.6	28.7	18.0	11.3	7.1	4.5
80	68.0	42.8	26.9	16.9	10.6	6.7	4.2
85	64.0	40.3	25.3	15.9	10.0	6.3	4.0
90	60.5	38.0	23.9	15.0	9.5	5.9	3.7
96	56.7	35.6	22.4	14.1	8.9	5.6	3.5

Power Supplies

See Power Supply instructions and spec sheet for wiring information. For a complete list of compatible dimmers, see Compatible Dimming Chart on the Resources page.

Universal Power Supply 1% 120VAC - 277VAC

MODEL	POWER	OUTPUT
PDCU-D - IP20 Dry Series	30 - 30 W 60 - 60 W 96 - 96 W 3X96 - 3X96 W	24 - 24 VDC
PDCU-W - IP66 Wet Series	96 - 96 W 3X96 - 3X96 W	

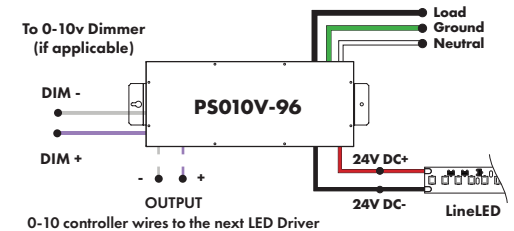


0-10V dims down to 1%, MLV/ELV/TRIAC dims down to 1%.
For a complete list of compatible dimmers, see [Compatible Dimming Chart](#) on the Resources page.

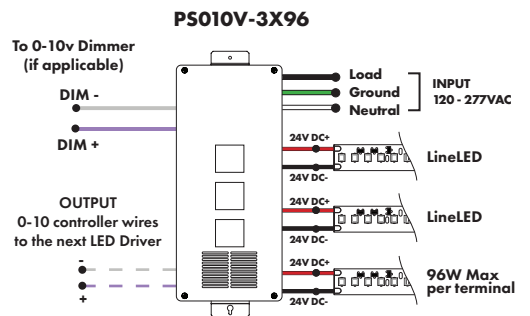
MODELS	PDCU-W 96W	PDCU-W 3X96W	PDCU-D 30W	PDCU-D 60W	PDCU-D 96W	PDCU-D 3X96W
Length	8.66"	11.85"	6.10"	7.93"	8.25"	9.57"
Width	3.73"	4.32"	3.35"	3.35"	4.10"	5.94"
Depth	1.61"	1.81"	1.33"	1.32"	1.56"	1.13"

0-10V Dimming Power Supplies 0.1% 120VAC - 277VAC

MODEL	POWER	OUTPUT	DIMMING
PS010V - 0-10V Power Supply dims down to 0.1%	96 - 96 Watt 3X96 - 3 X 96 Watt	24 - 24 VDC	LIN - Linear LOG - Logarithmic



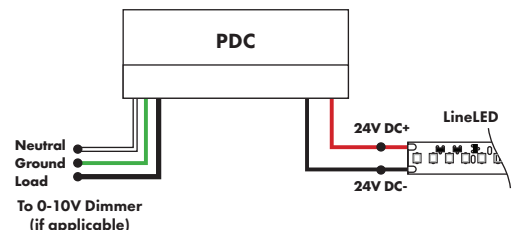
MODELS	96W	3X96
Length	14.40"	15.75"
Width	5.20"	6.62"
Depth	2.60"	4.95"



Triac, MLV, & ELV Compatible Dimmers

MODEL	POWER	OUTPUT
PDC - (IP20) Power Supply	96 - 96 Watts	24 - 24 VDC

MODELS	96W
Length	8.25"
Width	4.10"
Depth	1.56"



Power Supplies

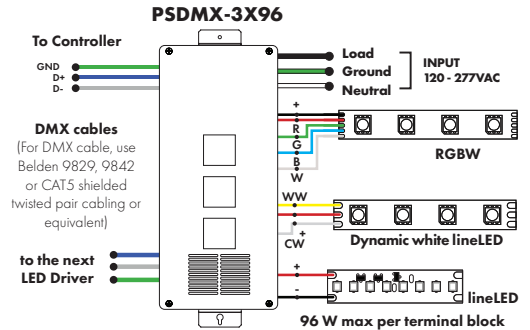
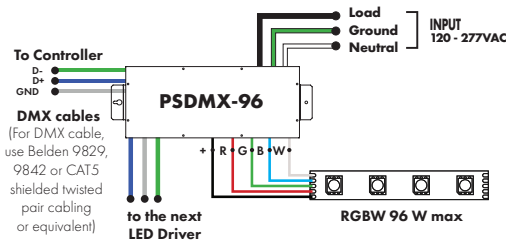
See Power Supply instructions and spec sheet for wiring information. For a complete list of compatible dimmers, see Compatible Dimming Chart on the Resources page.

DMX Dimming Power Supplies 120VAC - 277VAC

MODEL	POWER	OUTPUT
PSDMX - DMX Power Supply dims down to 0%	96 - 96 Watt 3X96 - 3 X 96 Watt	24 - 24 VDC

Features eldoLED's LINEARdrive configurable dimmable drivers

MODELS	96W	3X96
Length	14.40"	15.75"
Width	5.20"	6.62"
Depth	2.60"	4.95"

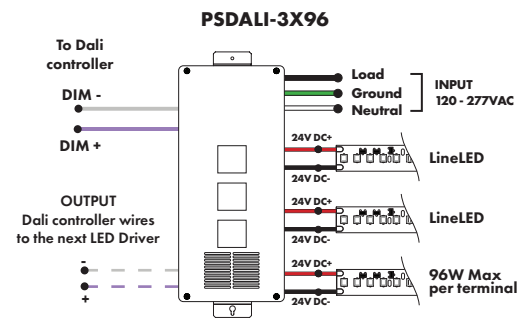
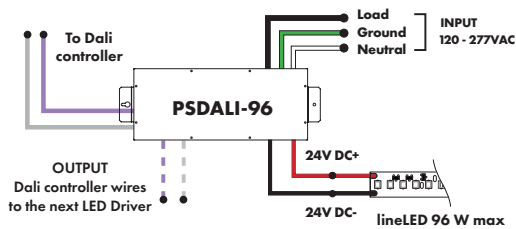


DALI 0% Dimming Power Supplies 120VAC - 277VAC

MODEL	POWER	OUTPUT
PSDALI - DALI Power Supply dims down to 0%	96 - 96 Watt 3X96 - 3 X 96 Watt	24 - 24 VDC

Features eldoLED's LINEARdrive configurable dimmable drivers

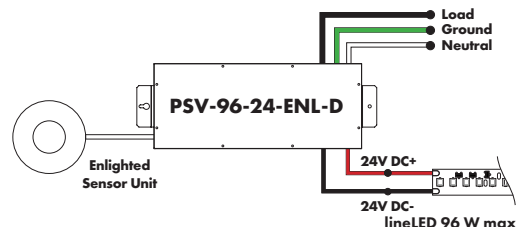
Model	96W	3X96
Length	14.40"	15.75"
Width	5.20"	6.62"
Depth	2.60"	4.95"



Enlighted Enabled Dimming Power Supplies 120VAC - 277VAC

MODEL	POWER	OUTPUT	DIMMING	LOCATION
PSV - PSV Series	96 - 96 Watt	24 - 24 VDC	ENL - Enlighted Dimming dims down to 0%	D - Damp

Model	96W
Length	14.40"
Width	5.20"
Depth	2.60"



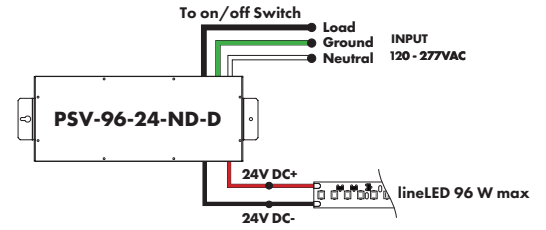
Power Supplies

See Power Supply instructions and spec sheet for wiring information. For a complete list of compatible dimmers, see Compatible Dimming Chart on the Resources page.

Non-Dimming Power Supply 120VAC - 277VAC

MODEL	POWER	OUTPUT	DIMMING	LOCATION
PSV - PSV Series	96 - 96 Watt	24 - 24 VDC	U2ND - Non Dimming	D - Damp

MODELS	96W
Length	14.40"
Width	5.20"
Depth	2.60"

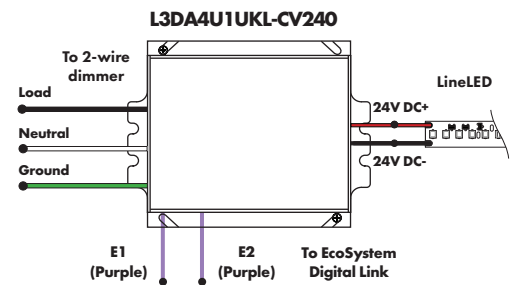
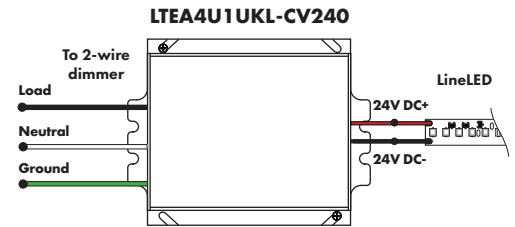


Luminii is a Lutron OEM Advantage Partner

Lutron Power Supplies 1%

MODEL	MODEL
LTEA4U1UKL-CV240	L3DA4U1UKL-CV240
Lutron - HiLume™ 1% 2-wire LED Driver 40W max	HiLume™ 1% EcoSystem Voltage LED driver 40W max
(120V forward phase only)	

MODELS	LTEA4U1UKL-CV240	L3DA4U1UKL-CV240
Length	4.89"	4.98"
Width	4.00"	4.00"
Depth	2.62"	2.62"

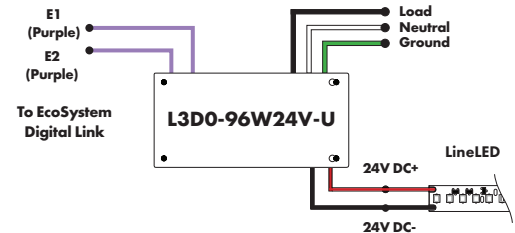


Luminii is a Lutron OEM Advantage Partner

Lutron Power Supplies 0.1%

MODEL
L3D0-96W24V-U
HiLume™ 0.1% EcoSystem Voltage LED Driver with Soft-On, Fade-to-Black™ 96W max

MODELS	L3D0
Length	10.50"
Width	5.50"
Depth	2.00"



In-Ground Power Supplies

MODEL	POWER	OUTPUT	INPUT
IG - In ground CVE Series	CVE - ELV Dimming DALI - eidoLED Dali dimming Both dims down to 0%	96X2 - 2 X 96 Watt	24 - 24 VDC
			Blank - 120 V 277 - 240/277 V

MODELS	Dual Circuit
Length	8.40"
Width	8.30"
Depth	8.10"

