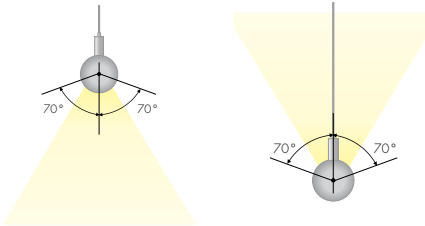
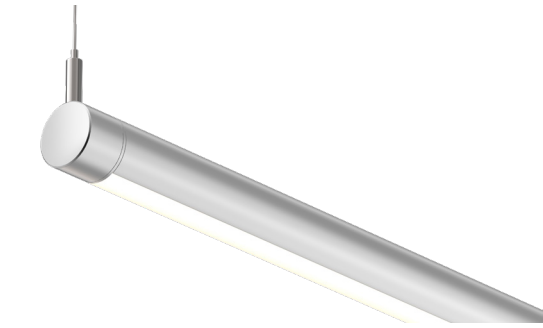


**Features**

- 24VDC Class 2 fixtures made to order up to 232". Fixture head rotates up to 140°, in either a up or down direction. Reference ordering code for proper model.
- Class 2 listed for damp locations
- Dot free even illumination with frosted lens
- 5 Year warranty
- High Color Quality options offer premium quality and vibrant colors with R9 values up to 97
- High Efficacy options offer best in class output and efficacy with over 720 lm/ft and up to 91 lm/W
- Proprietary strong bond solder method handles up to 50 lbs of pull force on wire leads and connectors



**Finish Options** (see page 2 for additional information)

- |  |                                      |  |
|--|--------------------------------------|--|
| <input type="checkbox"/> Silver Anodized | <input type="checkbox"/> White       | <input type="checkbox"/> Aged Brass    |
| <input type="checkbox"/> Black           | <input type="checkbox"/> Matte Black | <input type="checkbox"/> Polished Gold |
| <input type="checkbox"/> Bronze          | <input type="checkbox"/> Warm Nickel | <input type="checkbox"/> Chrome        |



**Technical Information**

MODEL	High Color Quality		High Efficacy				High Efficacy	
	60X2HO	60X2VHO	HE48LO	HE48SO	HE48MO	HE48HO	HE64VHO	HE64XHO
<b>OUTPUT OPTIONS</b>								
Lumens Output (3000K) (with a Clear Lens)	433 lm/ft	541 lm/ft	172 lm/ft	238 lm/ft	318 lm/ft	510 lm/ft	646 lm/ft	726 lm/ft
Average Power Consumption (for a 4' section)	7.3 W/ft	9.4 W/ft	1.9 W/ft	2.8 W/ft	3.5 W/ft	6.5 W/ft	7.5 W/ft	9.6 W/ft
Efficacy	59 lm/W	58 lm/W	91 lm/W	85 lm/W	91 lm/W	78 lm/W	86 lm/W	76 lm/W
Max Run Length (in series)	26 ft	21 ft	48 ft	42 ft	33 ft	21 ft	15 ft	13 ft
Max Ambient Temperature*	50°C [122°F]		50°C [122°F]				50°C [122°F]	

\*Max Ambient Temperature to maintain L70 of 50k+ hours. Exceeding Max Ambient Temperature may result in decreased life/output. Consult Technical Support for specific inquiries.

**High Color Quality (60X2)**

CCT	Multiplier (reference - 3000K)	TM-30			
		CRI	R <sub>f</sub>	R <sub>g</sub>	R <sub>9</sub>
1900K	0.55	96	94	97	90
2200K	0.70	96	95	101	89
2400K	0.72	98	97	101	91
2700K	0.74	97	96	101	91
3000K	1.00	97	95	104	97
3500K	1.02	97	94	105	97
4100K	1.07	97	90	99	97

**High Efficacy (HE48/HE64)**

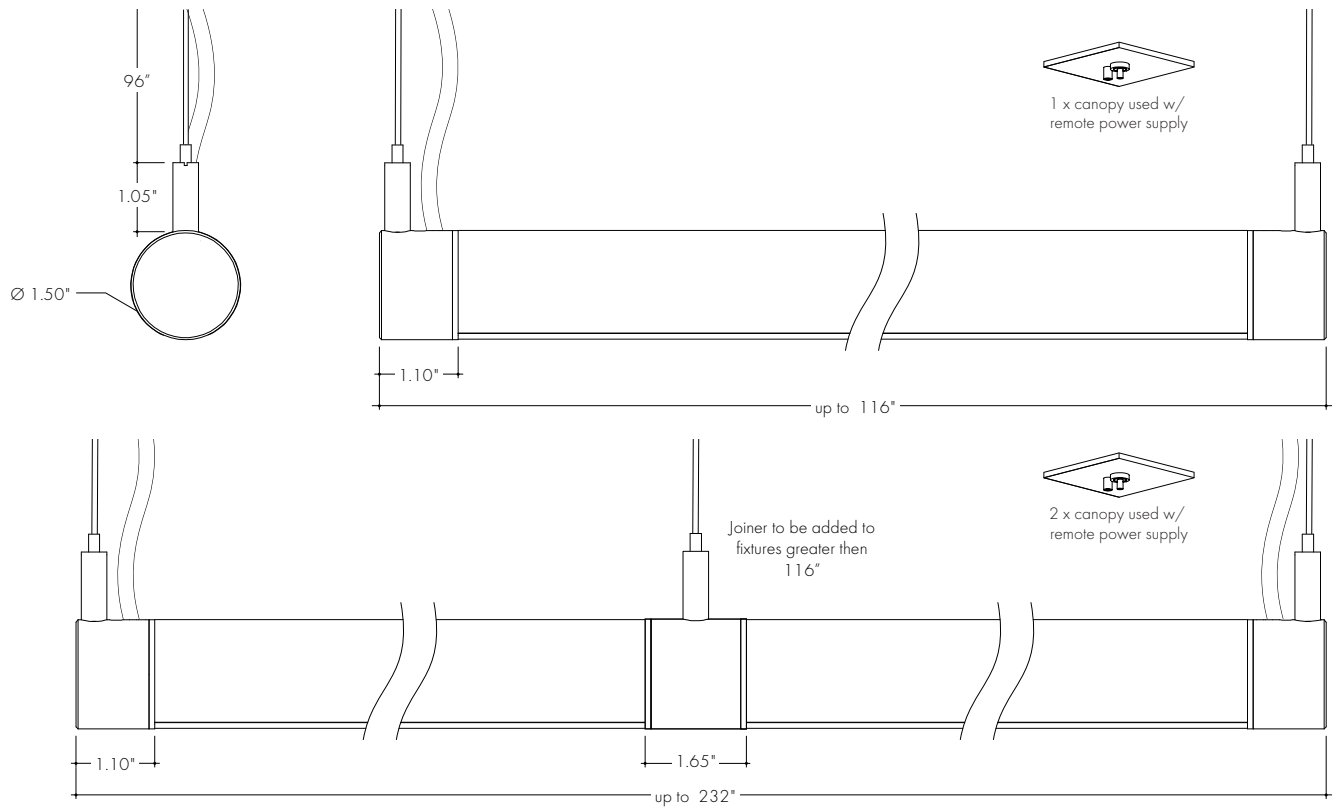
CCT	Multiplier (reference - 3000K)	TM-30			
		CRI	R <sub>f</sub>	R <sub>g</sub>	R <sub>9</sub>
2200K	0.73	92	91	97	42
2500K	0.81	93	96	96	62
2700K	0.94	92	90	99	58
3000K	1.00	92	89	99	57
3500K	1.02	92	89	99	60
4000K	1.02	92	86	94	71

**Ordering Code**

MODEL	LENGTH <sup>1</sup>	OUTPUT	CCT	LENS <sup>2</sup>	LIGHT DIRECTION	MOUNTING	FINISH <sup>3,4</sup>
RUN-Runda	12" - 232" 1" increments	60X2HO - High 60X2VHO - Very High	22K-2200K 24K-2400K 27K-2700K 30K-3000K 35K-3500K 41K-4100K	C - Clear F - Frosted	U - Up D - Down	S - Suspension	SA - Silver Anodized BK - Black BZ - Bronze WH - White MBK - Matte Black WN - Warm Nickel AB - Aged Brass PG - Polished Gold <sup>5</sup> CH - Chrome <sup>5</sup>
	12" - 232" 2" increments	HE48LO - Low HE48SO - Standard HE48MO - Medium HE48HO - High HE64VHO - Very High HE64XHO - Max	22K 2200K 25K-2500K 27K-2700K 30K-3000K 35K-3500K 40K 4000K				

1 - Custom lengths and increments are available, please consult Inside Sales with specific request.  
 2 - All High Efficacy options can be used to comply with Title 24 JAB. High Color Quality options can be used to comply with Title 24 JAB depending on Output, CCT, and Lens selections. See multiplier charts to calculate specific efficacies.  
 3 - Non SA finishes may have extended lead times. Custom RALs are available, please consult Inside Sales with specific request.  
 4 - White canopy included with all finishes except Black and Matte Black, which includes a Black canopy.  
 5 - Polished Gold finishes have a maximum section length of 48", and Chrome finishes have a maximum section length of 72".

**Product Dimensions**



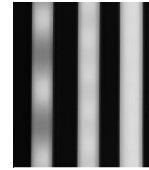
**Finish Options**

- Finish options are available in a wide variety, allowing for complete customization of style and aesthetic.
- Non Silver Anodized finishes may have extended lead times.
- Polished Gold finishes have a maximum section length of 48", and Chrome finishes have a maximum section length of 72".
- Custom RALs are available, please consult Inside Sales with specific request.



Light Transmission and Dotting

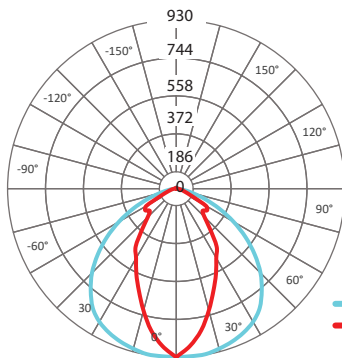
Output Options	Lens/Accessory	
	Clear Lens	Frosted Lens
60X2HO	CD	ND
60X2VHO	CD	ND
HE48LO	CD	ND
HE48SO	CD	ND
HE48MO	CD	ND
HE48HO	CD	ND
HE64VHO	CD	ND
HE64XHO	CD	ND
<b>Transmission Percentage</b>	100%	63%



CD SD ND  
 CD - Clear Dotting  
 SD - Slight Dotting  
 ND - No Dotting

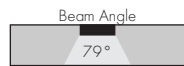
Photometry

RUN-48-60X2VHO-30K-C  
 Runda 4ft, VHO, 3000K, Clear Lens



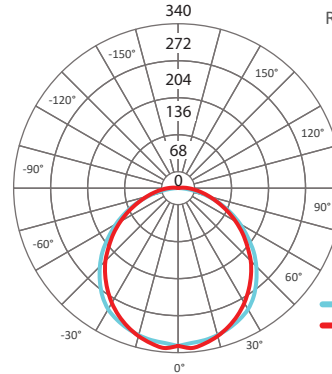
Zonal Lumen Summary 3000K

Zone	Lumen	% Fixture
0-30	825	35.9%
0-40	1266	55.2%
0-60	1957	85.3%
0-90	2274	99.0%
<b>Total</b>	<b>2295</b>	<b>100%</b>



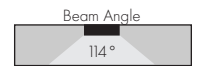
C0/180  
 C90/270

RUN-48-60X2VHO-30K-F  
 Runda, 4ft, VHO, 3000K, Frosted Lens



Zonal Lumen Summary 3000K

Zone	Lumen	% Fixture
0-30	362	25.5%
0-40	598	41.7%
0-60	1072	74.7%
0-90	1406	97.9%
<b>Total</b>	<b>1435</b>	<b>100%</b>



C0/180  
 C90/270

**Power Consumption**

Tested at Full Power with PDC Series power supplies.

Standard Nominal Lengths offered provide minimal shadowing. For alternate lengths, please consult Inside Sales with specific request.

**High Color Quality (60X2)**

Nominal Length (in)	Actual Length	Watts		Nominal Length (in)	Actual Length	Watts		Nominal Length (in)	Actual Length	Watts	
		HO	VHO			HO	VHO			HO	VHO
12	11 2/16	8.3	10.4	47	46 4/16	27.1	34.7	82	81 6/16	45.0	56.6
13	12 8/16	8.3	10.4	48	47 10/16	27.7	35.3	83	82 13/16	45.4	57.1
14	13 15/16	8.3	10.4	49	-	-	-	84	-	-	-
15	-	-	-	50	49 1/16	28.2	36.0	85	84 3/16	46.3	58.1
16	15 5/16	8.9	11.3	51	50 7/16	29.3	37.4	86	85 10/16	46.7	58.6
17	16 12/16	9.5	12.1	52	51 14/16	29.9	38.1	87	-	-	-
18	-	-	-	53	-	-	-	88	87	47.2	59.2
19	18 2/16	10.1	12.9	54	53 4/16	31.0	39.5	89	88 7/16	48.1	60.4
20	19 9/16	11.3	14.5	55	54 11/16	31.5	40.2	90	89 13/16	48.5	61.0
21	20 15/16	11.9	15.3	56	-	-	-	91	-	-	-
22	-	-	-	57	56 1/16	32.1	40.9	92	91 4/16	49.4	62.2
23	22 6/16	13.1	16.9	58	57 8/16	33.1	42.3	93	92 10/16	49.9	62.8
24	23 12/16	13.7	17.7	59	58 14/16	33.7	43.0	94	-	-	-
25	-	-	-	60	-	-	-	95	94 1/16	50.3	63.4
26	25 3/16	14.3	18.5	61	60 5/16	34.8	44.4	96	95 7/16	51.2	64.6
27	26 9/16	15.5	20.2	62	61 11/16	35.3	45.1	97	96 14/16	51.7	65.2
28	28	16.1	20.9	63	-	-	-	98	-	-	-
29	-	-	-	64	63 2/16	35.9	45.8	99	98 4/16	52.6	66.4
30	29 6/16	17.3	22.4	65	64 8/16	36.9	47.0	100	99 11/16	53.0	66.7
31	30 12/16	17.9	23.2	66	65 15/16	37.4	47.6	101	-	-	-
32	-	-	-	67	-	-	-	102	101 1/16	53.5	66.9
33	32 3/16	19.1	24.7	68	67 5/16	38.4	48.7	103	102 8/16	54.4	67.4
34	33 10/16	19.7	25.4	69	68 12/16	38.9	49.3	104	103 14/16	54.8	67.6
35	35	20.3	26.2	70	-	-	-	105	-	-	-
36	-	-	-	71	70 2/16	39.4	49.9	106	105 5/16	55.7	68.1
37	36 6/16	21.6	27.7	72	71 9/16	40.4	51.1	107	106 11/16	56.1	68.4
38	37 13/16	22.2	28.4	73	72 15/16	40.9	51.7	108	-	-	-
39	-	-	-	74	-	-	-	109	108 2/16	56.5	68.6
40	39 3/16	23.3	29.9	75	74 6/16	41.9	52.9	110	109 8/16	57.4	69.1
41	40 10/16	23.9	30.5	76	75 12/16	42.4	53.5	111	110 15/16	57.9	69.3
42	-	-	-	77	-	-	-	112	-	-	-
43	42	24.4	31.2	78	77 3/16	43.2	54.5	113	112 5/16	58.8	70.1
44	43 7/16	25.5	32.6	79	78 9/16	43.7	55.0	114	113 12/16	59.3	70.5
45	44 13/16	26.0	33.3	80	80	44.1	55.5	115	-	-	-
46	-	-	-	81	-	-	-	116	115 2/16	59.7	70.9



**Power Consumption**

Tested at Full Power with PDC Series power supplies.

Standard Nominal Lengths offered provide minimal shadowing. For alternate lengths, please consult Inside Sales with specific request.

**High Efficacy (HE48)**

Nominal Length (in)	Actual Length	Watts				Nominal Length (in)	Actual Length	Watts				Nominal Length (in)	Actual Length	Watts			
		LO	SO	MO	HO			LO	SO	MO	HO			LO	SO	MO	HO
12	10 9/16	1.7	2.5	3.5	5.7	47	-	-	-	-	82	81 6/16	12.2	19.4	23.3	41.4	
13	12 8/16	1.7	2.5	3.5	5.7	48	47 15/16	6.9	10.7	13.3	24.7	83	-	-	-	-	
14	-	-	-	-	-	49	-	-	-	-	84	83 6/16	12.5	19.9	23.9	42.2	
15	14 8/16	1.7	2.5	3.5	5.7	50	49 14/16	7.1	11.2	13.9	25.4	85	-	-	-	-	
16	-	-	-	-	-	51	-	-	-	-	86	85 5/16	12.8	20.3	24.5	43.1	
17	16 7/16	2.0	3.0	4.0	7.2	52	51 14/16	7.4	11.7	14.5	26.3	87	-	-	-	-	
18	-	-	-	-	-	53	-	-	-	-	88	87 5/16	13.1	20.8	25.1	44.1	
19	18 7/16	2.4	3.5	4.6	8.7	54	53 13/16	7.7	12.3	15.1	27.4	89	-	-	-	-	
20	-	-	-	-	-	55	-	-	-	-	90	89 4/16	13.4	21.3	25.7	45.0	
21	20 6/16	2.7	3.9	5.2	10.2	56	55 13/16	8.0	12.9	15.7	28.5	91	-	-	-	-	
22	-	-	-	-	-	57	-	-	-	-	92	91 4/16	13.7	21.7	26.3	46.0	
23	22 6/16	3.0	4.4	5.8	11.7	58	57 12/16	8.4	13.5	16.4	29.5	93	-	-	-	-	
24	-	-	-	-	-	59	-	-	-	-	94	93 3/16	14.0	22.1	26.9	47.0	
25	24 5/16	3.4	4.9	6.4	13.2	60	59 12/16	8.7	14.0	17.0	30.6	95	-	-	-	-	
26	-	-	-	-	-	61	-	-	-	-	96	95 3/16	14.3	22.6	27.5	47.9	
27	26 5/16	3.7	5.4	7.0	14.7	62	61 11/16	9.0	14.6	17.6	31.6	97	-	-	-	-	
28	-	-	-	-	-	63	-	-	-	-	98	97 2/16	14.4	22.8	27.8	48.4	
29	28 4/16	4.1	5.9	7.5	15.8	64	63 11/16	9.4	15.2	18.2	32.6	99	-	-	-	-	
30	-	-	-	-	-	65	-	-	-	-	100	99 2/16	14.7	23.3	28.5	49.4	
31	30 4/16	4.4	6.4	8.1	16.8	66	65 10/16	9.7	15.6	18.7	33.7	101	-	-	-	-	
32	-	-	-	-	-	67	-	-	-	-	102	101 1/16	15.0	23.7	29.0	50.4	
33	32 3/16	4.8	6.9	8.7	17.9	68	67 10/16	10.0	16.1	19.2	34.7	103	-	-	-	-	
34	-	-	-	-	-	69	-	-	-	-	104	103 1/16	15.3	24.1	29.6	51.3	
35	34 2/16	5.0	7.2	9.0	18.5	70	69 9/16	10.4	16.5	19.8	35.7	105	-	-	-	-	
36	-	-	-	-	-	71	-	-	-	-	106	105	15.6	24.6	30.2	52.3	
37	36 2/16	5.4	7.7	9.6	19.5	72	71 9/16	10.7	17.0	20.3	36.7	107	107	15.8	25.0	30.7	53.2
38	-	-	-	-	-	73	-	-	-	-	108	-	-	-	-	-	
39	38 1/16	5.7	8.2	10.2	20.6	74	73 8/16	11.0	17.4	20.8	37.7	109	108 15/16	16.1	25.5	31.3	54.2
40	-	-	-	-	-	75	-	-	-	-	110	-	-	-	-	-	
41	40 1/16	6.0	8.7	10.8	21.5	76	75 8/16	11.3	17.9	21.4	38.7	111	110 15/16	16.4	25.9	31.9	55.2
42	-	-	-	-	-	77	-	-	-	-	112	-	-	-	-	-	
43	42	6.2	9.2	11.4	22.3	78	77 7/16	11.6	18.4	22.0	39.6	113	112 14/16	16.7	26.4	32.5	56.1
44	44	6.4	9.7	12.0	23.1	79	-	-	-	-	114	-	-	-	-	-	
45	-	-	-	-	-	80	79 7/16	11.9	18.9	22.7	40.5	115	114 14/16	17.0	26.8	33.1	57.0
46	45 15/16	6.7	10.2	12.6	23.9	81	-	-	-	-	116	-	-	-	-	-	

**Power Consumption**

Tested at Full Power with PDC Series power supplies.

Standard Nominal Lengths offered provide minimal shadowing. For alternate lengths, consult Inside Sales with specific request.

**High Efficacy (HE64)**

Nominal Length (in)	Actual Length	Watts		Nominal Length (in)	Actual Length	Watts		Nominal Length (in)	Actual Length	Watts	
		VHO	XHO			VHO	XHO			VHO	XHO
<b>12</b>	11 12/16	7.6	9.7	<b>47</b>	46 9/16	27.6	35.1	<b>82</b>	81 6/16	49.8	62.2
<b>13</b>	–	–	–	<b>48</b>	–	–	–	<b>83</b>	82 15/16	50.4	62.6
<b>14</b>	13 4/16	7.6	9.7	<b>49</b>	48 1/16	28.2	35.9	<b>84</b>	–	–	–
<b>15</b>	14 12/16	7.6	9.7	<b>50</b>	49 10/16	29.5	37.6	<b>85</b>	84 7/16	51.7	63.4
<b>16</b>	–	–	–	<b>51</b>	–	–	–	<b>86</b>	85 15/16	52.3	63.8
<b>17</b>	16 5/16	8.9	11.3	<b>52</b>	51 2/16	30.1	38.4	<b>87</b>	–	–	–
<b>18</b>	17 13/16	9.5	12.1	<b>53</b>	52 10/16	31.4	40.2	<b>88</b>	87 7/16	53.6	64.7
<b>19</b>	–	–	–	<b>54</b>	–	–	–	<b>89</b>	89	54.2	65.3
<b>20</b>	19 5/16	10.7	13.6	<b>55</b>	54 2/16	32.0	41.1	<b>90</b>	–	–	–
<b>21</b>	20 13/16	11.4	14.4	<b>56</b>	55 11/16	33.3	42.9	<b>91</b>	90 8/16	55.5	66.3
<b>22</b>	–	–	–	<b>57</b>	–	–	–	<b>92</b>	92	56.2	66.8
<b>23</b>	22 6/16	12.6	16.0	<b>58</b>	57 3/16	34.0	43.8	<b>93</b>	–	–	–
<b>24</b>	23 14/16	13.2	16.8	<b>59</b>	58 11/16	35.2	45.5	<b>94</b>	93 8/16	57.5	67.9
<b>25</b>	–	–	–	<b>60</b>	–	–	–	<b>95</b>	–	–	–
<b>26</b>	25 6/16	14.5	18.3	<b>61</b>	60 3/16	36.5	47.3	<b>96</b>	95	58.2	68.4
<b>27</b>	26 14/16	15.1	19.1	<b>62</b>	61 11/16	37.2	48.2	<b>97</b>	96 9/16	59.5	69.5
<b>28</b>	–	–	–	<b>63</b>	–	–	–	<b>98</b>	–	–	–
<b>29</b>	28 6/16	16.4	20.7	<b>64</b>	63 4/16	38.4	50.0	<b>99</b>	98 1/16	60.1	70.0
<b>30</b>	29 15/16	17.0	21.4	<b>65</b>	64 12/16	39.1	50.8	<b>100</b>	99 9/16	61.4	71.1
<b>31</b>	–	–	–	<b>66</b>	–	–	–	<b>101</b>	–	–	–
<b>32</b>	31 7/16	18.2	23.0	<b>67</b>	66 4/16	40.4	52.5	<b>102</b>	101 1/16	62.0	71.7
<b>33</b>	32 15/16	18.9	23.8	<b>68</b>	67 12/16	41.0	53.4	<b>103</b>	102 10/16	63.2	72.9
<b>34</b>	–	–	–	<b>69</b>	–	–	–	<b>104</b>	–	–	–
<b>35</b>	34 7/16	20.1	25.3	<b>70</b>	69 5/16	42.3	55.1	<b>105</b>	104 2/16	63.8	73.5
<b>36</b>	36	20.7	26.1	<b>71</b>	70 13/16	42.9	55.9	<b>106</b>	105 10/16	65.0	74.7
<b>37</b>	–	–	–	<b>72</b>	–	–	–	<b>107</b>	–	–	–
<b>38</b>	37 8/16	22.0	27.6	<b>73</b>	72 5/16	44.2	57.6	<b>108</b>	107 2/16	65.6	75.3
<b>39</b>	–	–	–	<b>74</b>	73 13/16	44.9	58.5	<b>109</b>	108 11/16	66.8	76.5
<b>40</b>	39	22.6	28.4	<b>75</b>	–	–	–	<b>110</b>	–	–	–
<b>41</b>	40 8/16	23.9	30.1	<b>76</b>	75 5/16	46.1	59.7	<b>111</b>	110 3/16	67.4	77.1
<b>42</b>	–	–	–	<b>77</b>	76 14/16	46.7	60.1	<b>112</b>	111 11/16	68.5	78.0
<b>43</b>	42	24.5	30.9	<b>78</b>	–	–	–	<b>113</b>	–	–	–
<b>44</b>	43 9/16	25.7	32.6	<b>79</b>	78 6/16	48.0	60.9	<b>114</b>	113 3/16	69.6	78.7
<b>45</b>	–	–	–	<b>80</b>	79 14/16	48.6	61.3	<b>115</b>	114 11/16	70.1	79.0
<b>46</b>	45 1/16	26.4	33.4	<b>81</b>	–	–	–	<b>116</b>	–	–	–

### Voltage Drop Calculator

The below chart assumes nominal voltage of 24 Volts and a Voltage Drop Allowance of 3% through the wire

Wattage [W]	Maximum Wire Length From Power Supply to Start of Run [ft]						
	12 AWG	14 AWG	16 AWG	18 AWG	20 AWG	22 AWG	24 AWG
<b>5</b>	1088.2	684.4	430.3	270.6	170.2	107.1	67.3
<b>10</b>	544.1	342.2	215.1	135.3	85.1	53.5	33.7
<b>15</b>	362.7	228.1	143.4	90.2	56.7	35.7	22.4
<b>20</b>	272.0	171.1	107.6	67.7	42.6	26.8	16.8
<b>25</b>	217.6	136.9	86.1	54.1	34.0	21.4	13.5
<b>30</b>	181.4	114.1	71.7	45.1	28.4	17.8	11.2
<b>35</b>	155.5	97.8	61.5	38.7	24.3	15.3	9.6
<b>40</b>	136.0	85.5	53.8	33.8	21.3	13.4	8.4
<b>45</b>	120.9	76.0	47.8	30.1	18.9	11.9	7.5
<b>50</b>	108.8	68.4	43.0	27.1	17.0	10.7	6.7
<b>55</b>	98.9	62.2	39.1	24.6	15.5	9.7	6.1
<b>60</b>	90.7	57.0	35.9	22.6	14.2	8.9	5.6
<b>65</b>	83.7	52.6	33.1	20.8	13.1	8.2	5.2
<b>70</b>	77.7	48.9	30.7	19.3	12.2	7.6	4.8
<b>75</b>	72.5	45.6	28.7	18.0	11.3	7.1	4.5
<b>80</b>	68.0	42.8	26.9	16.9	10.6	6.7	4.2
<b>85</b>	64.0	40.3	25.3	15.9	10.0	6.3	4.0
<b>90</b>	60.5	38.0	23.9	15.0	9.5	5.9	3.7
<b>96</b>	56.7	35.6	22.4	14.1	8.9	5.6	3.5

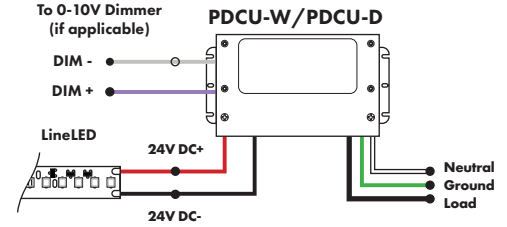
**Power Supplies**

See Power Supply instructions and spec sheet for wiring information. For a complete list of compatible dimmers, see Compatible Dimming Chart on the Resources page.

**Universal Power Supply 1% 120VAC - 277VAC**

MODEL	POWER	OUTPUT
PDCU-D - IP20 Dry Series	30 - 30 W 60 - 60 W 96 - 96 W 3X96 - 3X96 W	24 - 24 VDC
PDCU-W - IP66 Wet Series	96 - 96 W 3X96 - 3X96 W	

0-10V dims down to 1%, MLV/ELV/TRIAC dims down to 1%.  
For a complete list of compatible dimmers, see [Compatible Dimming Chart](#) on the Resources page.

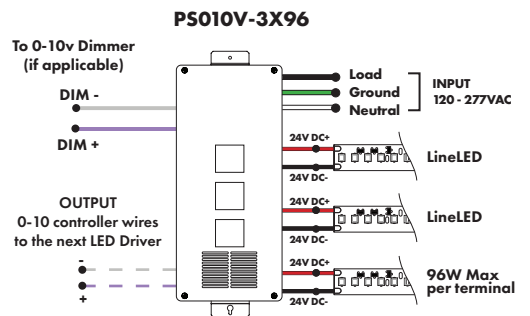
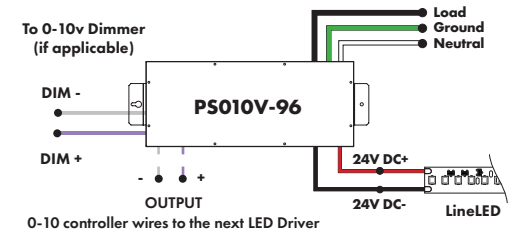


MODELS	PDCU-W 96W	PDCU-W 3X96W	PDCU-D 30W	PDCU-D 60W	PDCU-D 96W	PDCU-D 3X96W
<b>Length</b>	8.66"	11.85"	6.10"	7.93"	8.25"	9.57"
<b>Width</b>	3.73"	4.32"	3.35"	3.35"	4.10"	5.94"
<b>Depth</b>	1.61"	1.81"	1.33"	1.32"	1.56"	1.13"

**0-10V Dimming Power Supplies 0.1% 120VAC - 277VAC**

MODEL	POWER	OUTPUT	DIMMING
PS010V - 0-10V Power Supply dims down to 0.1%	96 - 96 Watt 3X96 - 3 X 96 Watt	24 - 24 VDC	LIN - Linear LOG - Logarithmic

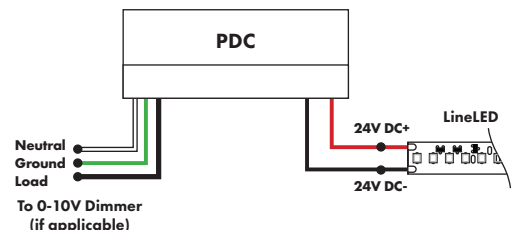
MODELS	96W	3X96
<b>Length</b>	14.40"	15.75"
<b>Width</b>	5.20"	6.62"
<b>Depth</b>	2.60"	4.95"



**Triac, MLV, & ELV Compatible Dimmers**

MODEL	POWER	OUTPUT
PDC - (IP20) Power Supply	96 - 96 Watts	24 - 24 VDC

MODELS	96W
<b>Length</b>	8.25"
<b>Width</b>	4.10"
<b>Depth</b>	1.56"



**Power Supplies**

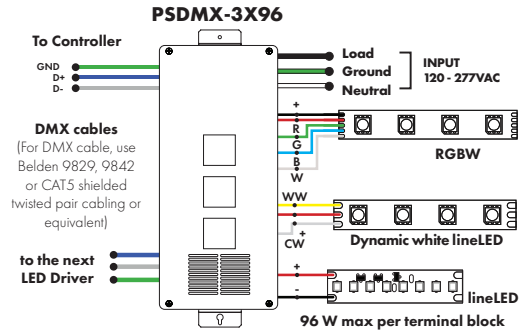
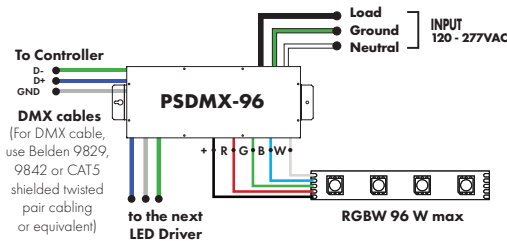
See Power Supply instructions and spec sheet for wiring information. For a complete list of compatible dimmers, see Compatible Dimming Chart on the Resources page.

**DMX Dimming Power Supplies 120VAC - 277VAC**

MODEL	POWER	OUTPUT
PSDMX - DMX Power Supply dims down to 0%	96 - 96 Watt 3X96 - 3 X 96 Watt	24 - 24 VDC

Features eldoLED's LINEARdrive configurable dimmable drivers

MODELS	96W	3X96
<b>Length</b>	14.40"	15.75"
<b>Width</b>	5.20"	6.62"
<b>Depth</b>	2.60"	4.95"

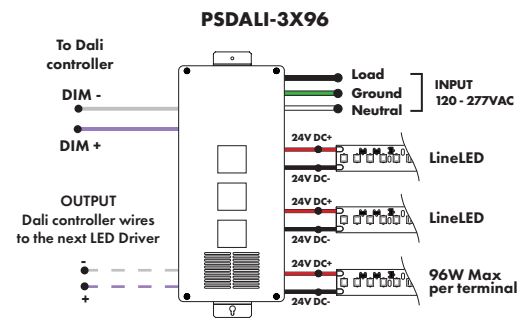
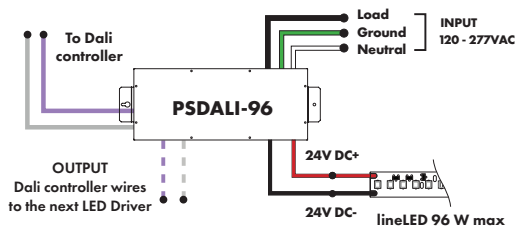


**DALI 0% Dimming Power Supplies 120VAC - 277VAC**

MODEL	POWER	OUTPUT
PSDALI - DALI Power Supply dims down to 0%	96 - 96 Watt 3X96 - 3 X 96 Watt	24 - 24 VDC

Features eldoLED's LINEARdrive configurable dimmable drivers

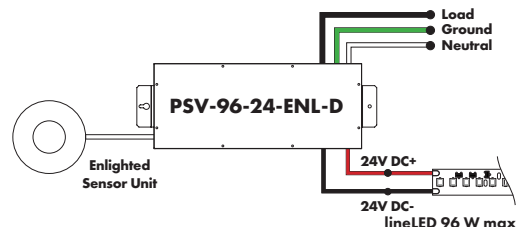
Model	96W	3X96
<b>Length</b>	14.40"	15.75"
<b>Width</b>	5.20"	6.62"
<b>Depth</b>	2.60"	4.95"



**Enlighted Enabled Dimming Power Supplies 120VAC - 277VAC**

MODEL	POWER	OUTPUT	DIMMING	LOCATION
PSV - PSV Series	96 - 96 Watt	24 - 24 VDC	ENL - Enlighted Dimming dims down to 0%	D - Damp

Model	96W
<b>Length</b>	14.40"
<b>Width</b>	5.20"
<b>Depth</b>	2.60"



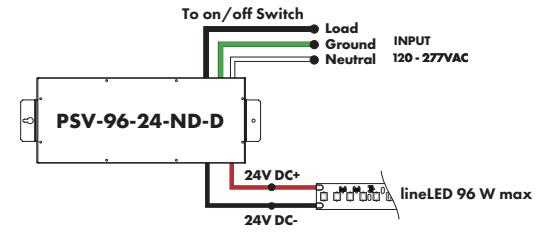
**Power Supplies**

See Power Supply instructions and spec sheet for wiring information. For a complete list of compatible dimmers, see Compatible Dimming Chart on the Resources page.

**Non-Dimming Power Supply 120VAC - 277VAC**

MODEL	POWER	OUTPUT	DIMMING	LOCATION
PSV - PSV Series	96 - 96 Watt	24 - 24 VDC	ND - Non Dimming	D - Damp

MODELS	96W
Length	14.40"
Width	5.20"
Depth	2.60"



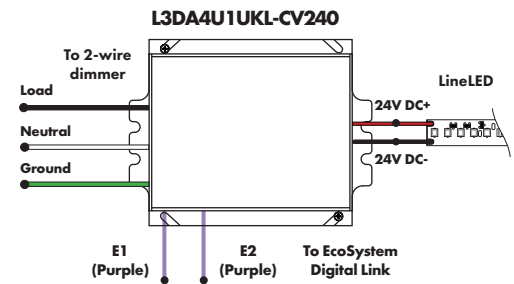
Luminii is a Lutron OEM Advantage Partner

**Lutron Power Supplies 1%**

MODEL
L3DA4U1UKL-CV240

HiLume™ 1% EcoSystem Voltage LED driver  
40W max

MODELS	L3DA4U1UKL-CV240
Length	4.98"
Width	4.00"
Depth	2.62"



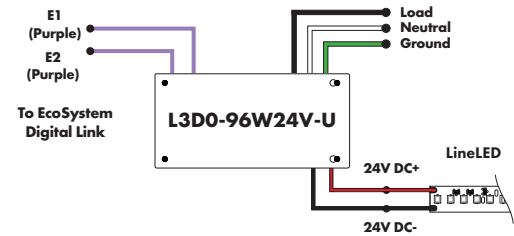
Luminii is a Lutron OEM Advantage Partner

**Lutron Power Supplies 0.1%**

MODEL
L3D0-96W24V-U

HiLume™ 0.1% EcoSystem Voltage LED Driver with Soft-On, Fade-to-Black™  
96W max

MODELS	L3D0
Length	10.50"
Width	5.50"
Depth	2.00"



**In-Ground Power Supplies**

MODEL	POWER	OUTPUT	INPUT
IG - In ground CVE Series CVE - ELV Dimming DALI - eldoLED Dali dimming Both dims down to 0%	96X2 - 2 X 96 Watt	24 - 24 VDC	Blank - 120 V 277 - 240/277 V

MODELS	Dual Circuit
Length	8.40"
Width	8.30"
Depth	8.10"

