

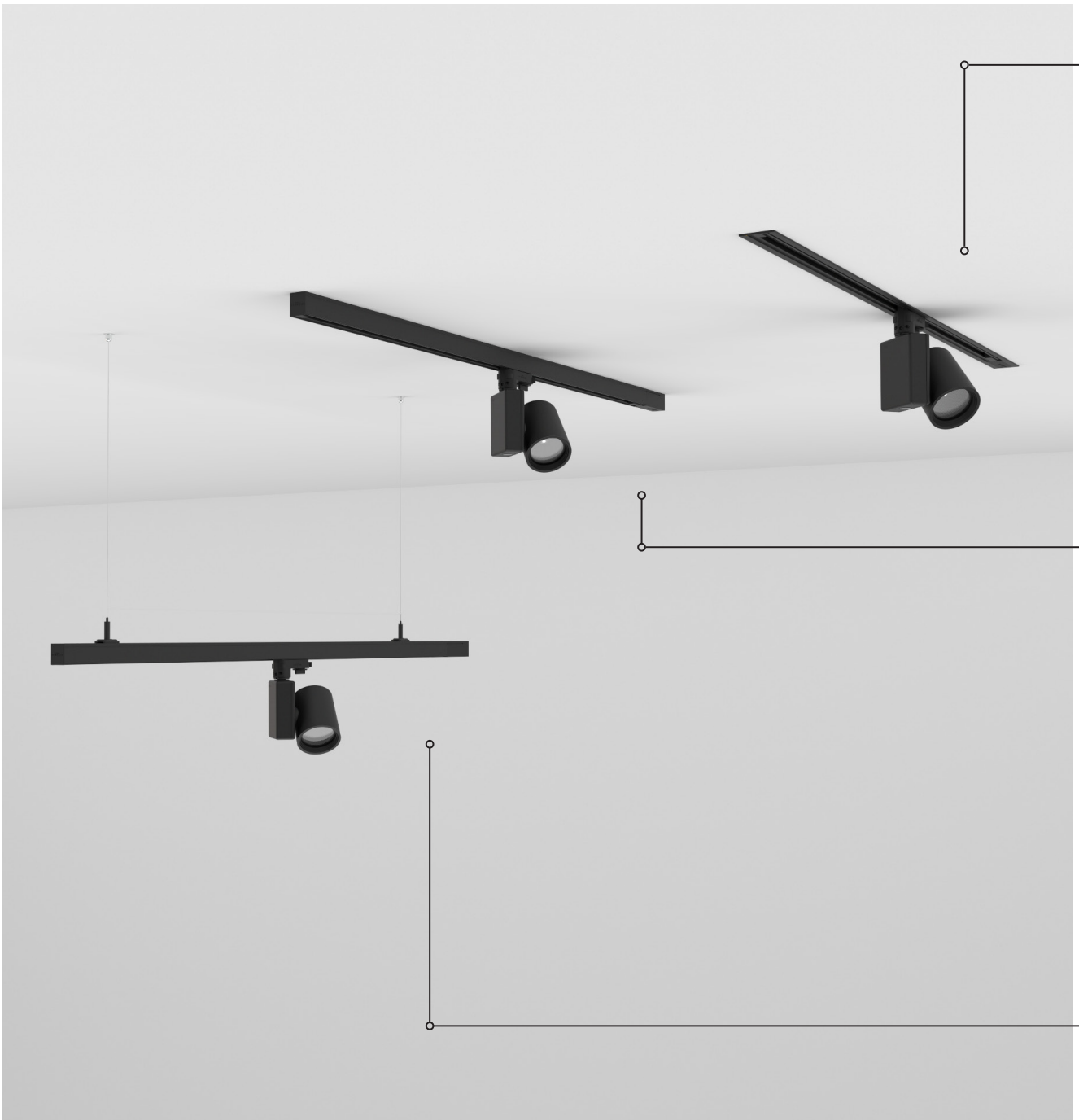
STUCCHI ONETRACK UL 120V 277V AC



RECESSED

SURFACE

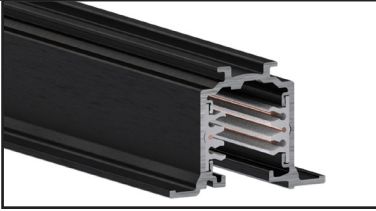
SUSPENDED



DRX1 SHOWN ON STUCCHI ONETRACK UL SUSPENDED, SURFACE AND RECESSED

Stucchi ONETRACK UL Offerings

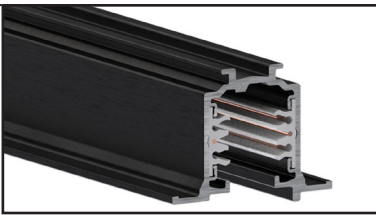
ONETRACK UL - Recessed 120V 2 Circuits



ORDER CODE

	4.0ft	8.0ft
White	OT-120-2-REC-WH-4F	OT-120-2-REC-WH-8F
Black	OT-120-2-REC-BK-4F	OT-120-2-REC-BK-8F

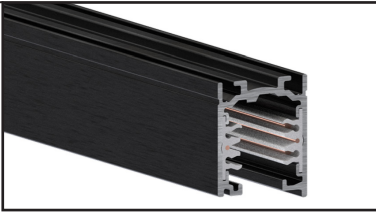
ONETRACK UL - Recessed 277V 2 Circuits



ORDER CODE

	4.0ft	8.0ft
White	OT-277-2-REC-WH-4F	OT-277-2-REC-WH-8F
Black	OT-277-2-REC-BK-4F	OT-277-2-REC-BK-8F

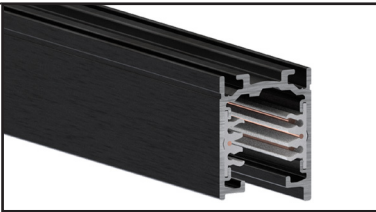
ONETRACK UL - Surface 120V 2 Circuits



ORDER CODE

	4.0ft	8.0ft	12.0ft
White	OT-120-2-SUR-WH-4F	OT-120-2-SUR-WH-8F	OT-120-2-SUR-WH-12F
Black	OT-120-2-SUR-BK-4F	OT-120-2-SUR-BK-8F	OT-120-2-SUR-BK-12F

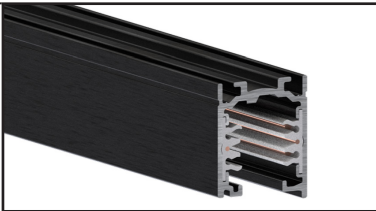
ONETRACK UL - Surface 277V 2 Circuits



ORDER CODE

	4.0ft	8.0ft	12.0ft
White	OT-277-2-SUR-WH-4F	OT-277-2-SUR-WH-8F	OT-277-2-SUR-WH-12F
Black	OT-277-2-SUR-BK-4F	OT-277-2-SUR-BK-8F	OT-277-2-SUR-BK-12F

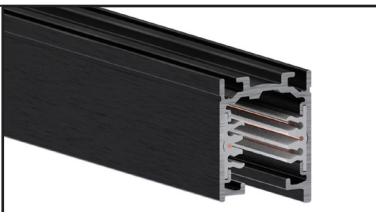
ONETRACK UL - Suspended 120V 2 Circuits



ORDER CODE

	4.0ft	8.0ft	12.0ft
White	OT-120-2-SUS-WH-4F	OT-120-2-SUS-WH-8F	OT-120-2-SUS-WH-12F
Black	OT-120-2-SUS-BK-4F	OT-120-2-SUS-BK-8F	OT-120-2-SUS-BK-12F

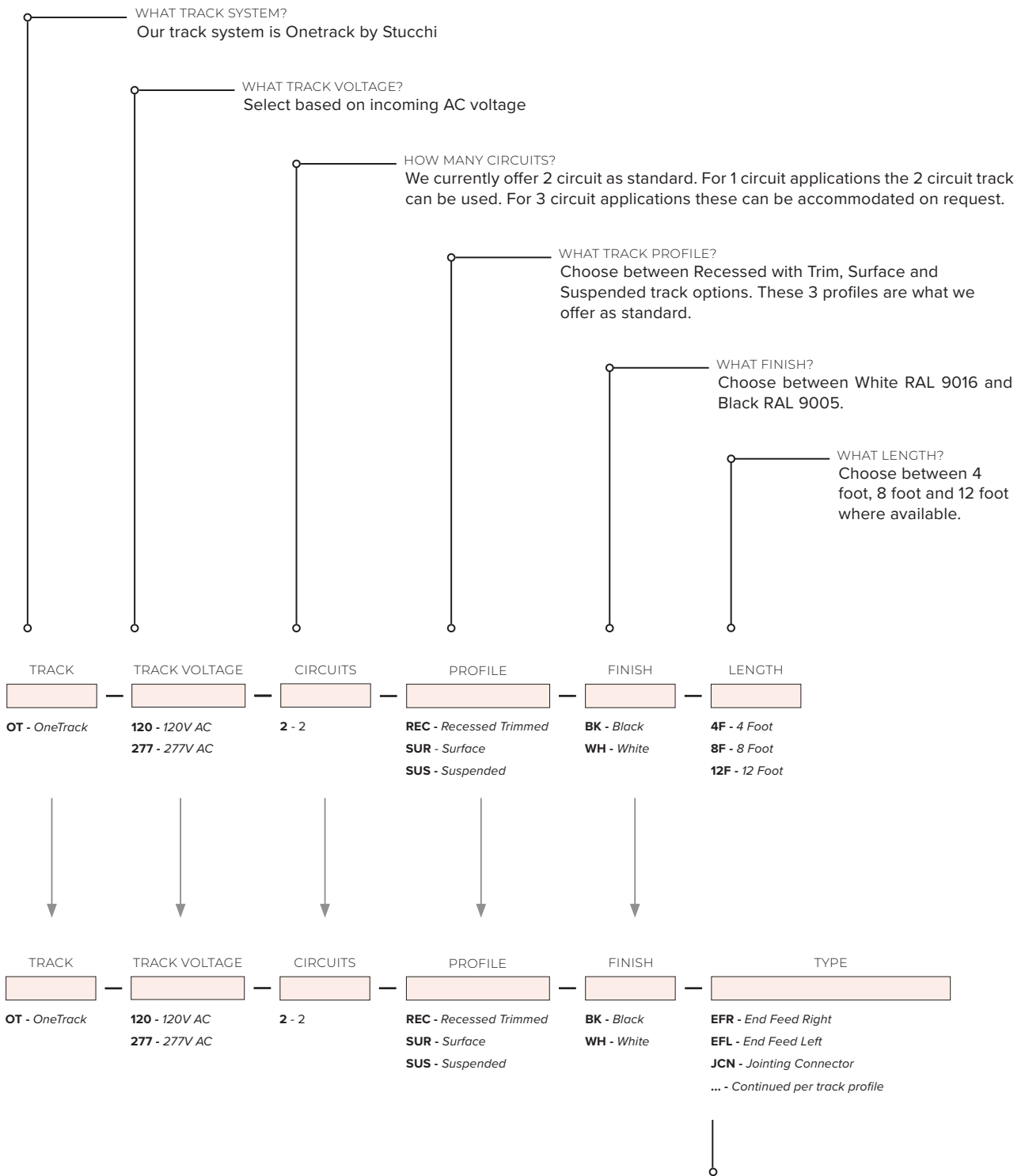
ONETRACK UL - Suspended 277V 2 Circuits



ORDER CODE

	4.0ft	8.0ft	12.0ft
White	OT-277-2-SUS-WH-4F	OT-277-2-SUS-WH-8F	OT-277-2-SUS-WH-12F
Black	OT-277-2-SUS-BK-4F	OT-277-2-SUS-BK-8F	OT-277-2-SUS-BK-12F

How to specify track

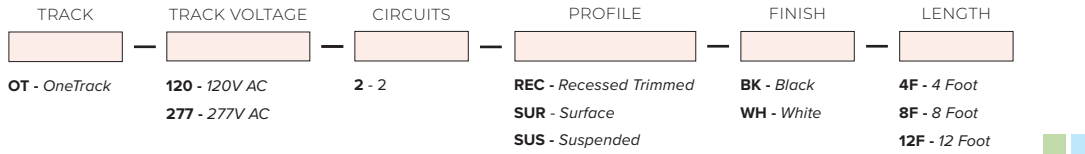


Ensure that your selection of Track, Voltage, Circuits, Profile and Finish matches between the Track and Accessories.

WHAT TRACK ACCESSORY/CONNECTOR?
When choosing track accessories and connectors pay attention to polarity requirements. We offer as standard a slimmed down Onetrack range of accessories to cover the essentials. If there is an item you require not seen here please contact us.

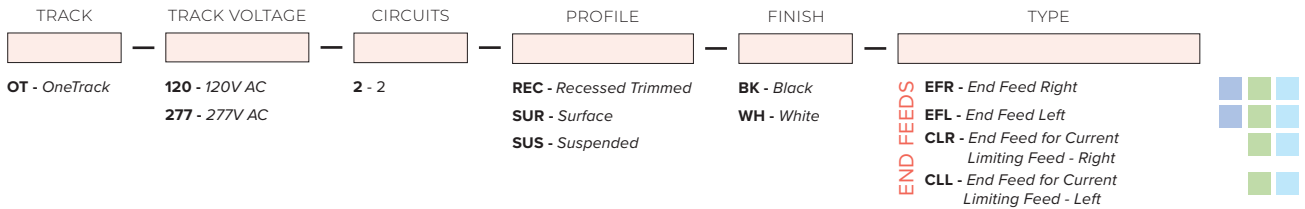
Code Builder

TRACK



12ft Length only available as Surface and Suspended track.

ACCESSORIES



- Recessed
- Surface
- Suspended
- These items are raw aluminium finish

- COUPLERS**
- MJ - Middle Joint
- LCI - L Coupler Inner
- LCO - L Coupler Outer
- TCA - T Coupler Type A
- TCB - T Coupler Type B
- TCC - T Coupler Type C
- TCD - T Coupler Type D
- XCP - X Coupler
- ACP - Adjustable Coupler
- JCN - Jointing Connector

- OTHER**
- ECS - End Cap
- MPT - Monopoint
- CUT - Cutting Tool for Track Conductors

- SUSPENSION OPTIONS**
- SCS - Steel Cable Suspension Set
- SCL - Steel Cable Suspension Set w. Cable lock
- SST - Solid Stem Suspension Set
- S12 - Stem 12 Inch
- S18 - Stem 18 Inch
- S24 - Stem 24 Inch
- S48 - Stem 48 Inch
- C59 - Cable Suspension Kit 8 1.5
- C118 - Cable Suspension Kit 8 3
- C196 - Cable Suspension Kit 8 5
- CPE - Short Pendant Bracket for Suspension

CODE EXAMPLE

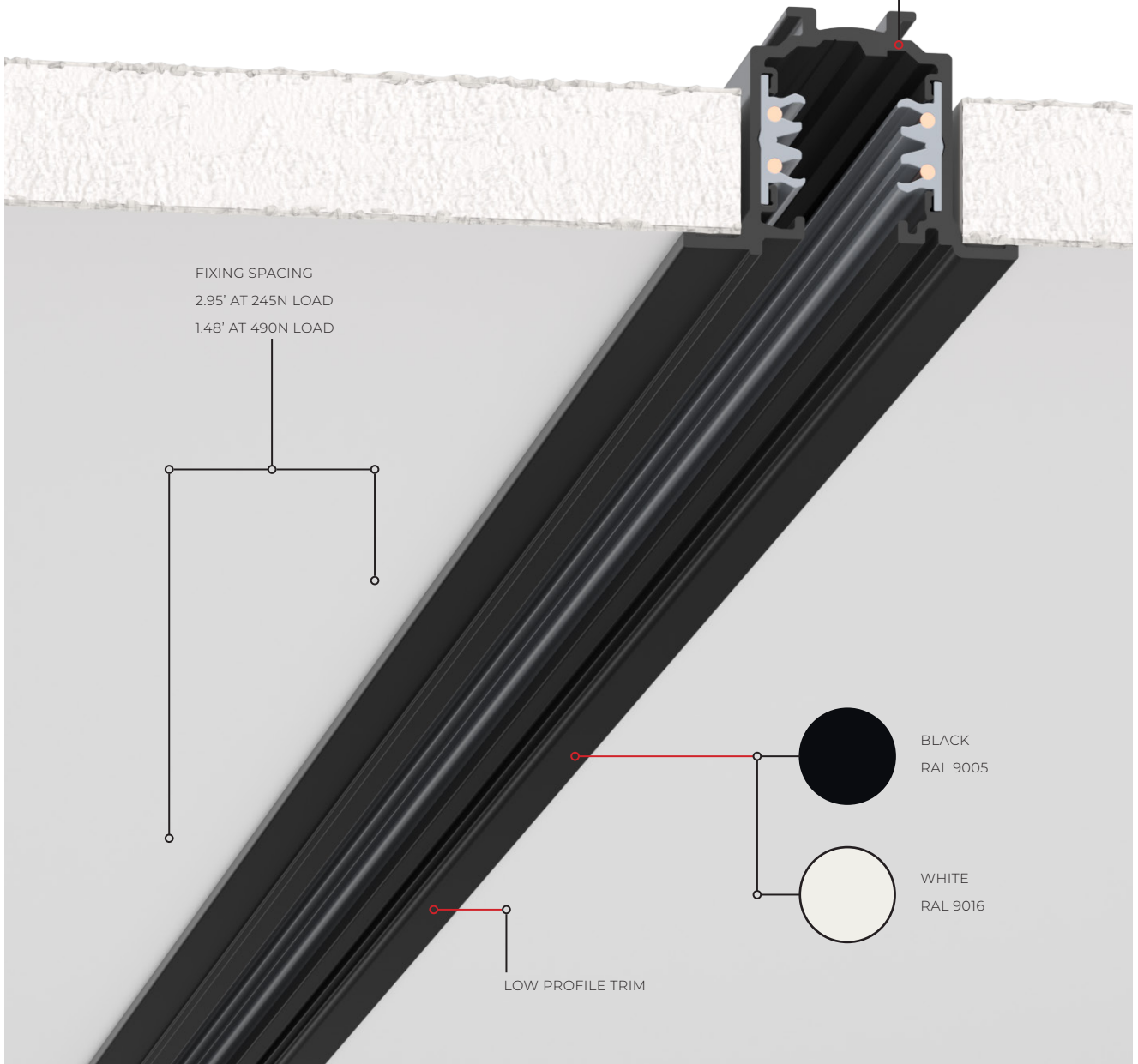
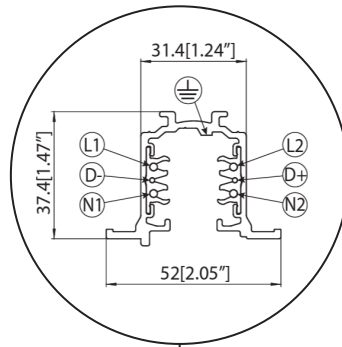
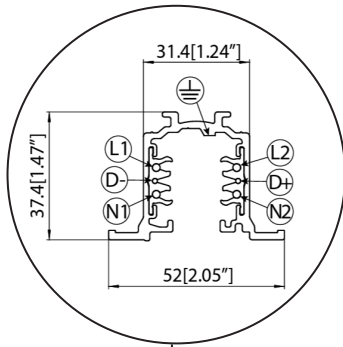
Track: OT-120-SUR-2-BK-4F
 Accessories: OT-120-SUR-2-BK-EFL



RECESSED

120V 2 CIRCUIT

277V 2 CIRCUIT



FIXING SPACING
2.95' AT 245N LOAD
1.48' AT 490N LOAD

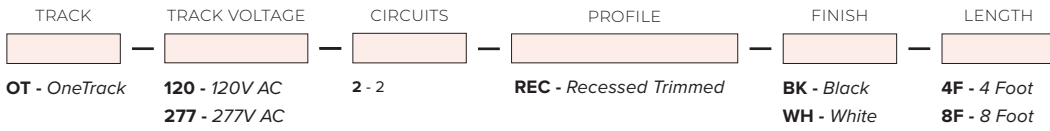
BLACK
RAL 9005

WHITE
RAL 9016

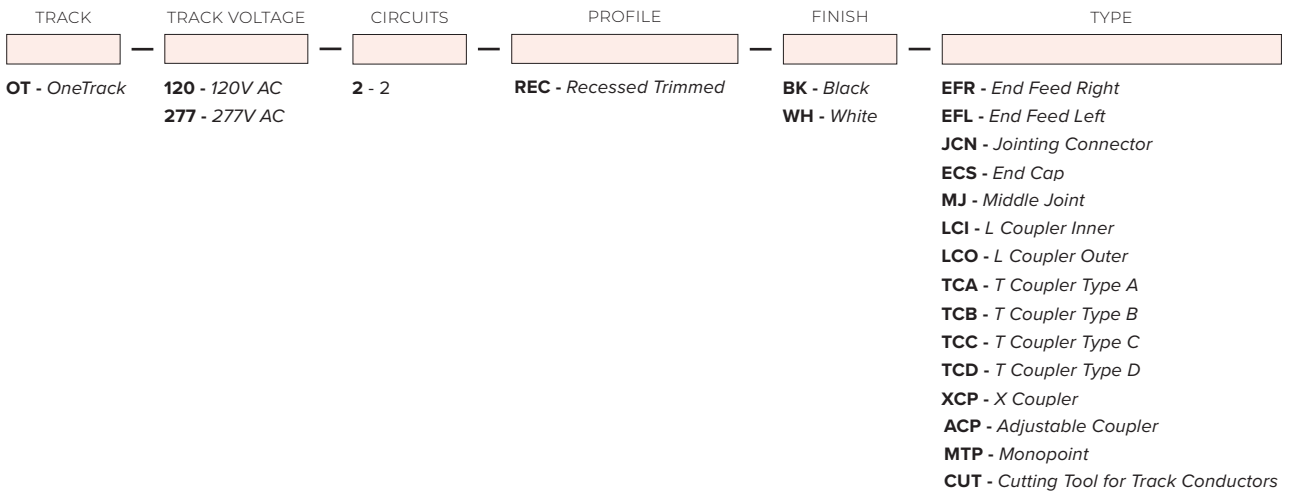
LOW PROFILE TRIM

Recessed Code Builder

TRACK



ACCESSORIES



CODE EXAMPLE

Track: OT-120-REC-2-BK-4F

Accessories: OT-120-REC-2-BK-EFL

ONETRACK UL Recessed 2 Circuit Track 120v and 277V AC

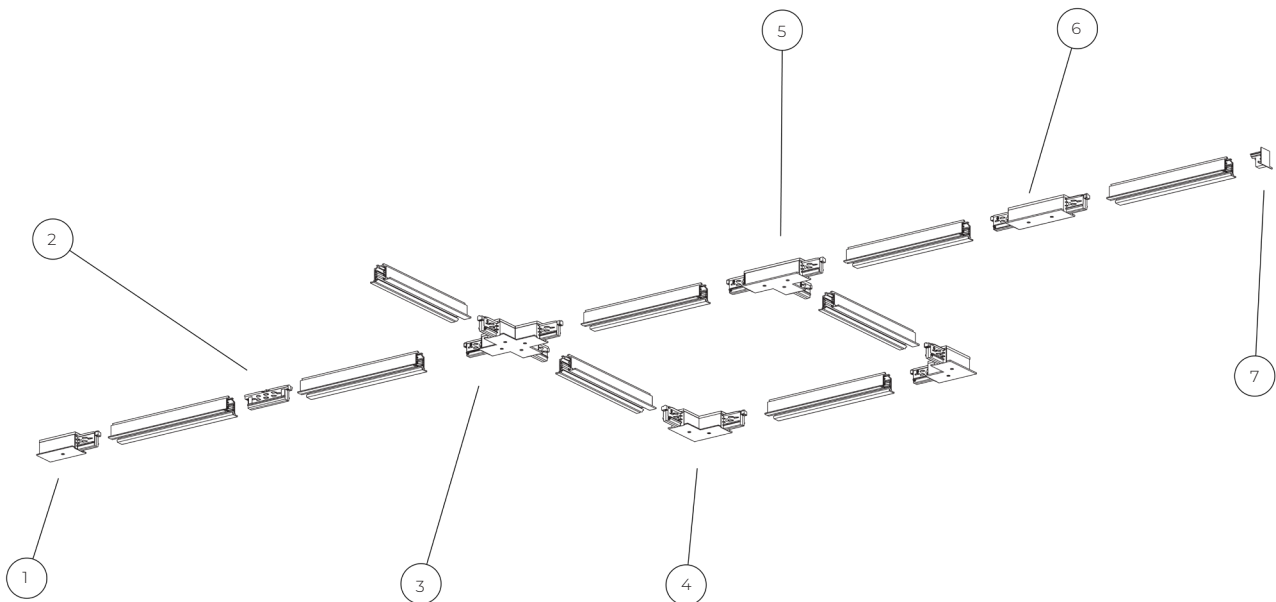
Stucchi OneTrack UL Recessed track is available in both 2 circuit 120V and 277V AC in lengths of 4 ft or 8 ft. It is a flexible 3 phase mixed system with two additional conductors for managing general data signals like DALI or 0 - 10 V (1 – 10V).

It is available in black and white finishes. The external body is made up of extruded aluminium, insulated in PVC with copper conductors.

IT SUPPORTS:

L1/L2/N1/N2/ground 2x120V/20A + D+/D- 2x1A/50V FELV AC (DALI)

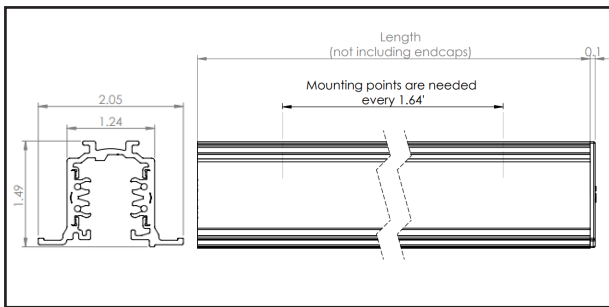
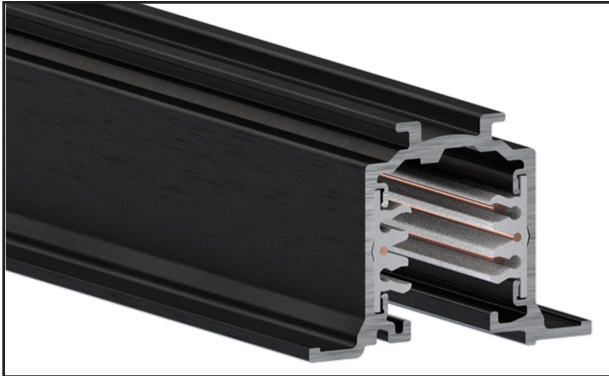
L1/L2/N1/N2/ground 2x277V/20A + D+/D- 2x1A/50V FELV AC (DALI)



KEY:

1. End Feed with recessed cover
2. Jointing Connector - internal connector for track lengths
3. X Feed with recessed cover
4. L Feed with recessed cover
5. T Feed with recessed cover
6. Middle Joint with recessed cover - connects track lengths
7. Recessed End Cap

ONETRACK UL Recessed 120V 2 Circuit



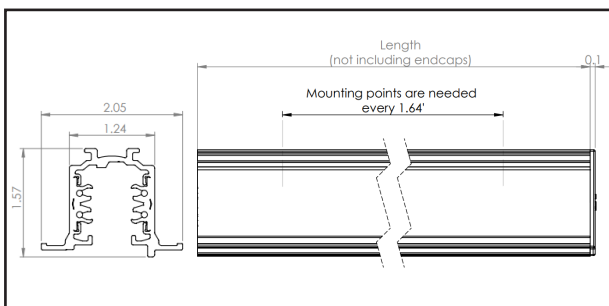
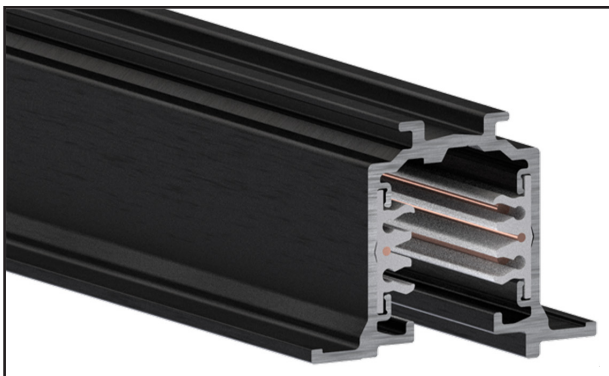
PHYSICAL

CONSTRUCTION MATERIALS:	Extruded aluminium profile; Insulated extruded PVC body Copper conductors
NO. CIRCUITS:	2x independent switchable circuits
DATA BUS:	Yes
WEIGHT:	1.4 kg (4ft)
CUTTING:	Cutting to length on site possible

ORDER CODE

	4.0ft	8.0ft
White	OT-120-2-REC-WH-4F	OT-120-2-REC-WH-8F
Black	OT-120-2-REC-BK-4F	OT-120-2-REC-BK-8F

ONETRACK UL Recessed 277V 2 Circuit



PHYSICAL

CONSTRUCTION MATERIALS:	Extruded aluminium profile; Insulated extruded PVC body Copper conductors
NO. CIRCUITS:	2x independent switchable circuits
DATA BUS:	Yes
WEIGHT:	1.4 kg (4 ft)
CUTTING:	Cutting to length on site possible

ORDER CODE

	4.0ft	8.0ft
White	OT-277-2-REC-WH-4F	OT-277-2-REC-WH-8F
Black	OT-277-2-REC-BK-4F	OT-277-2-REC-BK-8F

Recessed Track Hardware Options

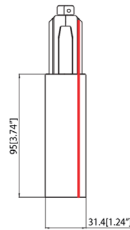
END FEEDS

END FEED FOR 2 CIRCUIT APPLICATION - RIGHT

To be used with recessed cover, codes below for assembly unit

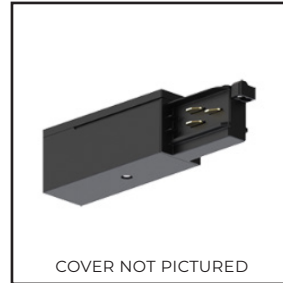


- BLACK:**
OT-120-2-REC-BK-EFR
OT-277-2-REC-BK-EFR
- WHITE:**
OT-120-2-REC-WH-EFR
OT-277-2-REC-WH-EFR

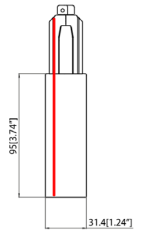


END FEED FOR 2 CIRCUIT APPLICATION - LEFT

To be used with recessed cover, codes below for assembly unit



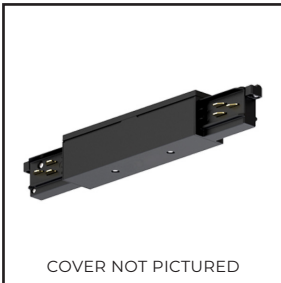
- BLACK:**
OT-120-2-REC-BK-EFL
OT-277-2-REC-BK-EFL
- WHITE:**
OT-120-2-REC-WH-EFL
OT-277-2-REC-WH-EFL



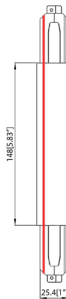
COUPLERS

MIDDLE JOINT FOR 2 CIRCUIT APPLICATION

To be used with recessed cover, codes below for assembly unit

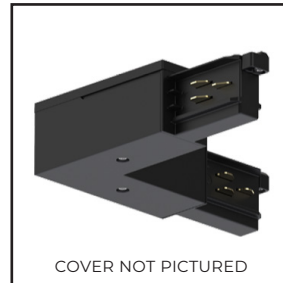


- BLACK:**
OT-120-2-REC-BK-MJ
OT-277-2-REC-BK-MJ
- WHITE:**
OT-120-2-REC-WH-MJ
OT-277-2-REC-WH-MJ

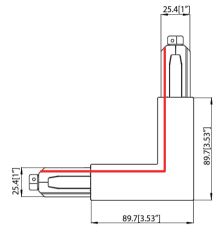


L FEED FOR 2 CIRCUIT APPLICATION - INNER

To be used with recessed cover, codes below for assembly unit

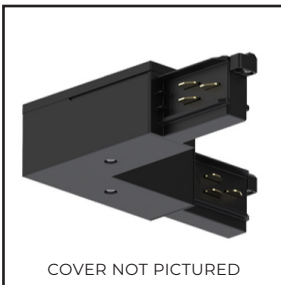


- BLACK:**
OT-120-2-REC-BK-LCI
OT-277-2-REC-BK-LCI
- WHITE:**
OT-120-2-REC-WH-LCI
OT-277-2-REC-WH-LCI

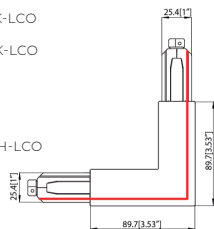


L FEED FOR 2 CIRCUIT APPLICATION - OUTER

To be used with recessed cover, codes below for assembly unit

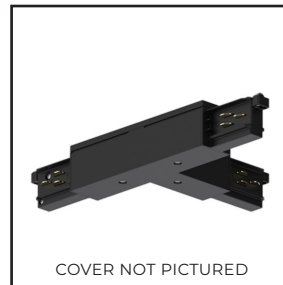


- BLACK:**
OT-120-2-REC-BK-LCO
OT-277-2-REC-BK-LCO
- WHITE:**
OT-120-2-REC-WH-LCO
OT-277-2-REC-WH-LCO

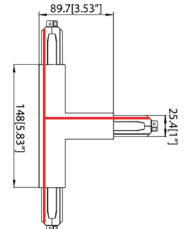


T FEED FOR 2 CIRCUIT APPLICATION - TYPE A

To be used with recessed cover, codes below for assembly unit

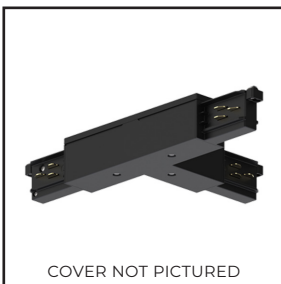


- BLACK:**
OT-120-2-REC-BK-TCA
OT-277-2-REC-BK-TCA
- WHITE:**
OT-120-2-REC-WH-TCA
OT-277-2-REC-WH-TCA

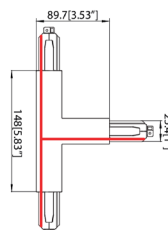


T FEED FOR 2 CIRCUIT APPLICATION - TYPE B

To be used with recessed cover, codes below for assembly unit

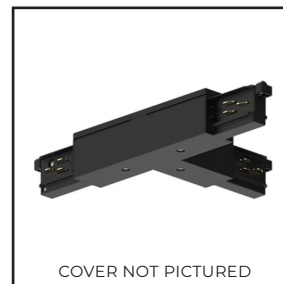


- BLACK:**
OT-120-2-REC-BK-TCB
OT-277-2-REC-BK-TCB
- WHITE:**
OT-120-2-REC-WH-TCB
OT-277-2-REC-WH-TCB

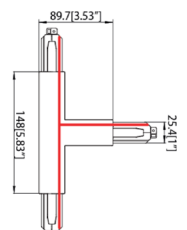


T FEED FOR 2 CIRCUIT APPLICATION - TYPE C

To be used with recessed cover, codes below for assembly unit



- BLACK:**
OT-120-2-REC-BK-TCC
OT-277-2-REC-BK-TCC
- WHITE:**
OT-120-2-REC-WH-TCC
OT-277-2-REC-WH-TCC

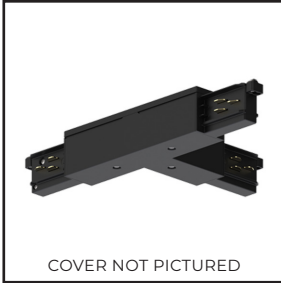


Recessed Track Hardware Options

COUPLERS

T FEED FOR 2 CIRCUIT APPLICATION - TYPE D

To be used with recessed cover, codes below for assembly unit

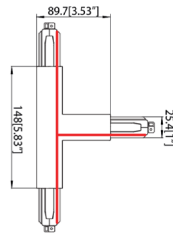


BLACK:

OT-120-2-REC-BK-TCD
OT-277-2-REC-BK-TCD

WHITE:

OT-120-2-REC-WH-TCD
OT-277-2-REC-WH-TCD



X FEED FOR 2 CIRCUIT APPLICATION

To be used with recessed cover, codes below for assembly unit

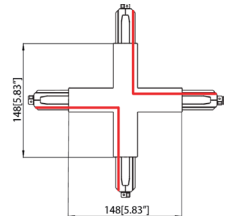


BLACK:

OT-120-2-REC-BK-XCP
OT-277-2-REC-BK-XCP

WHITE:

OT-120-2-REC-WH-XCP
OT-277-2-REC-WH-XCP



ADJUSTABLE CORNER FOR 2 CIRCUIT APPLICATION

Compatible with all tracks



BLACK:

OT-120-2-REC-BK-ACP
OT-277-2-REC-BK-ACP

WHITE:

OT-120-2-REC-WH-ACP
OT-277-2-REC-WH-ACP

JOINING CONNECTOR

Compatible with all tracks



BLACK:

OT-120-2-REC-BK-JCN
OT-277-2-REC-BK-JCN

WHITE:

OT-120-2-REC-WH-JCN
OT-277-2-REC-WH-JCN

ADDITIONAL ACCESSORIES

END CAP FOR RECESSED TRACK

Compatible with recessed track



BLACK:

OT-120-2-REC-BK-ECS
OT-277-2-REC-BK-ECS

WHITE:

OT-120-2-REC-WH-ECS
OT-277-2-REC-WH-ECS

RECESSED COVER FOR END FEED

Compatible with recessed track



IMAGE FOR REFERENCE PLEASE
USE ASSEMBLY CODE ON PAGE 12

RECESSED COVER FOR MIDDLE FEED

Compatible with recessed track

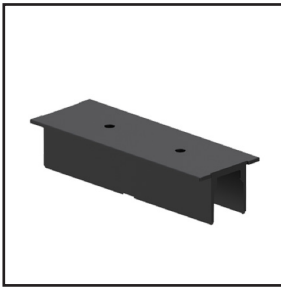


IMAGE FOR REFERENCE PLEASE
USE ASSEMBLY CODE ON PAGE 12

RECESSED COVER FOR L - FEED

Compatible with recessed track



IMAGE FOR REFERENCE PLEASE
USE ASSEMBLY CODE ON PAGE 12

Recessed Track Hardware Options

ADDITIONAL ACCESSORIES

RECESSED COVER FOR T FEED
Compatible with recessed track

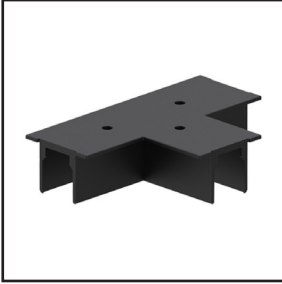


IMAGE FOR REFERENCE PLEASE USE
ASSEMBLY CODE ON PAGE 12

RECESSED COVER FOR X- FEED
Compatible with recessed track

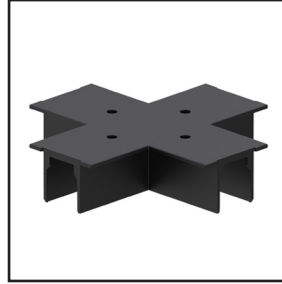


IMAGE FOR REFERENCE PLEASE
USE ASSEMBLY CODE ON PAGE 12

MONOPOINT RECESSED
Codes below for assembly unit



BLACK:
OT-120-2-REC-BK-MPT
OT-277-2-REC-BK-MPT

WHITE:
OT-120-2-REC-WH-MPT
OT-277-2-REC-WH-MPT

CUTTING TOOL FOR TRACK CONDUCTORS
Compatible with all track options



BLACK:
OT-120-2-REC-BK-CUT
OT-277-2-REC-BK-CUT

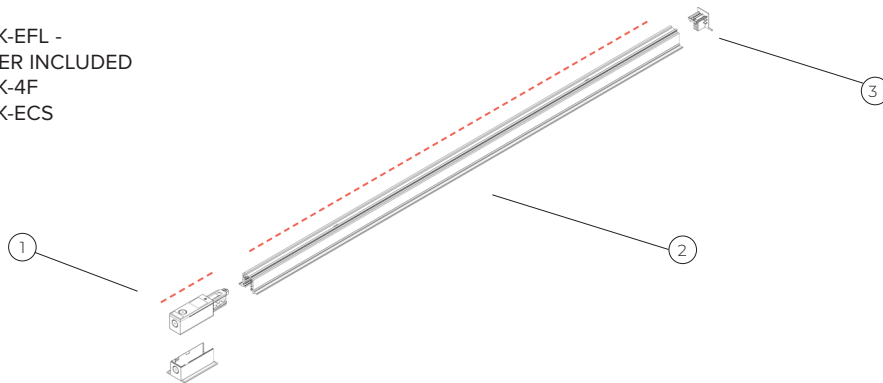
WHITE:
OT-120-2-REC-WH-CUT
OT-277-2-REC-WH-CUT

CURRENT LIMITER NOT AVAILABLE FOR RECESSED TRACK PLEASE
SOURCE THROUGH THIRD PARTY

Example layout diagrams

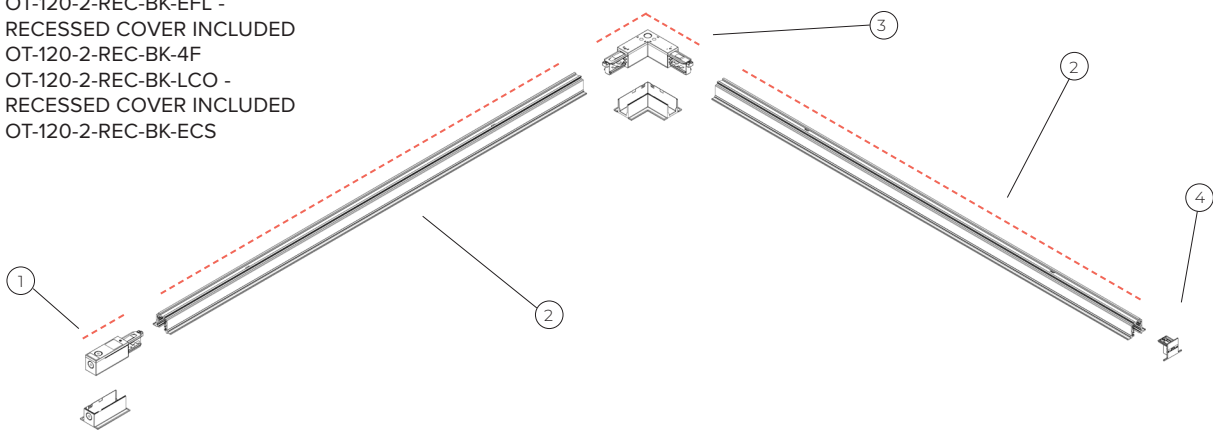
KEY:

1. OT-120-2-REC-BK-EFL - RECESSED COVER INCLUDED
2. OT-120-2-REC-BK-4F
3. OT-120-2-REC-BK-ECS



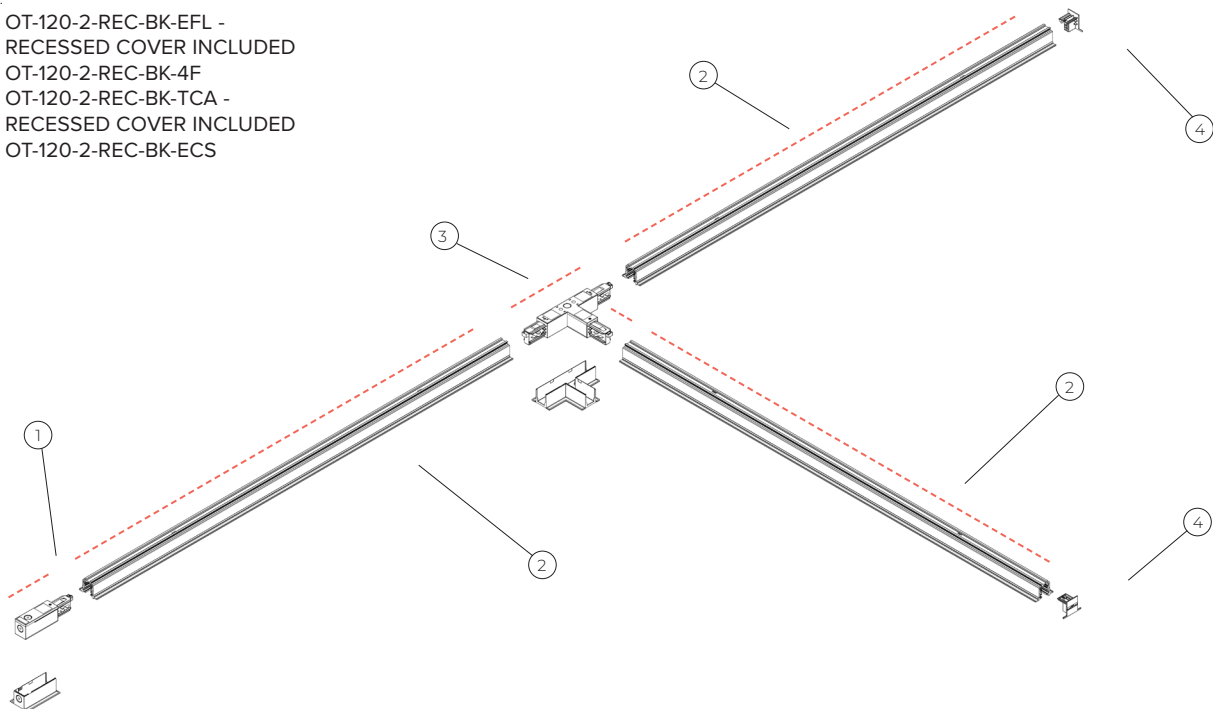
KEY:

1. OT-120-2-REC-BK-EFL - RECESSED COVER INCLUDED
2. OT-120-2-REC-BK-4F
3. OT-120-2-REC-BK-LCO - RECESSED COVER INCLUDED
4. OT-120-2-REC-BK-ECS



KEY:

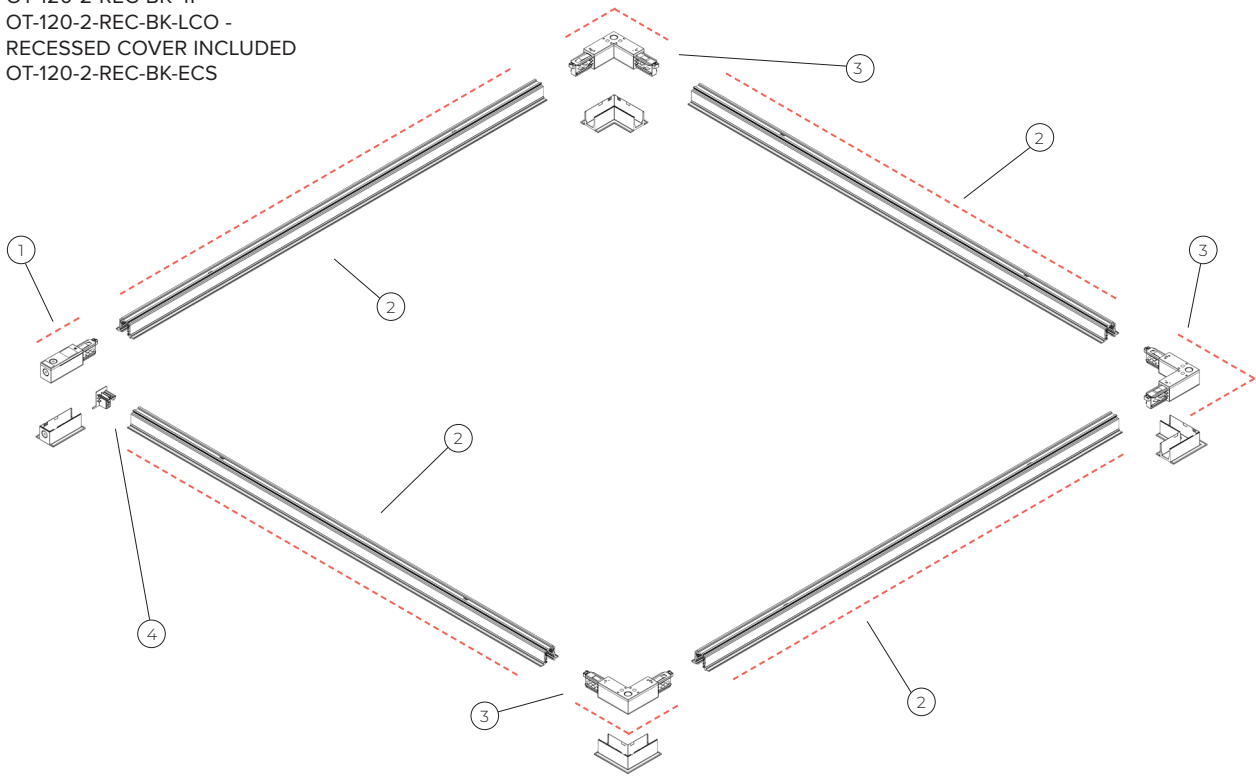
1. OT-120-2-REC-BK-EFL - RECESSED COVER INCLUDED
2. OT-120-2-REC-BK-4F
3. OT-120-2-REC-BK-TCA - RECESSED COVER INCLUDED
4. OT-120-2-REC-BK-ECS



Example layout diagrams

KEY:

1. OT-120-2-REC-BK-EFL -
RECESSED COVER INCLUDED
2. OT-120-2-REC-BK-4F
3. OT-120-2-REC-BK-LCO -
RECESSED COVER INCLUDED
4. OT-120-2-REC-BK-ECS

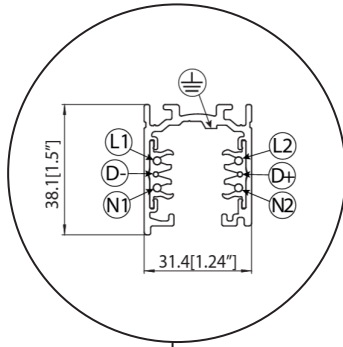


PLEASE ENSURE POLARITY REMAINS CONSISTENT THROUGHOUT TRACK SYSTEM

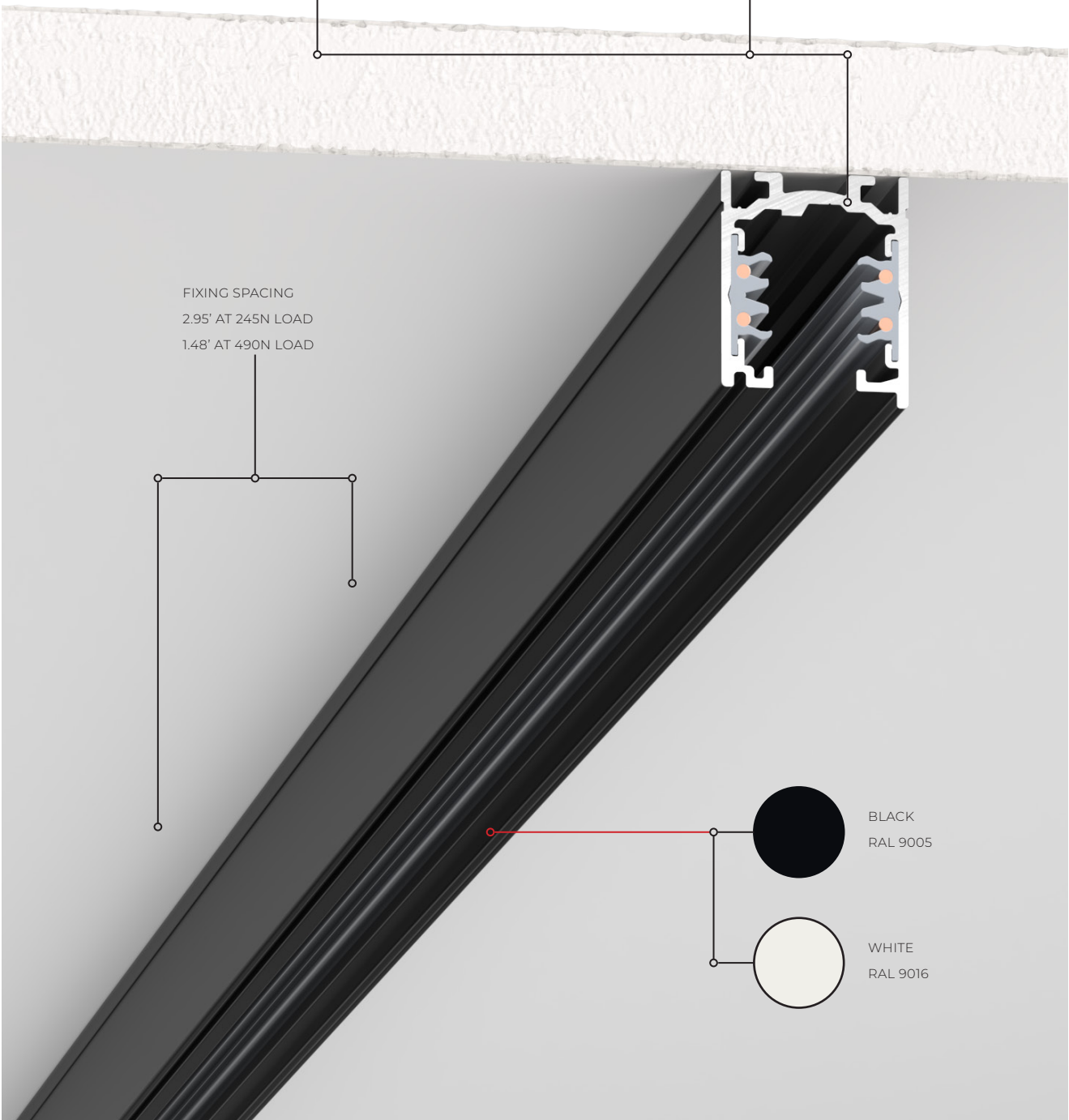
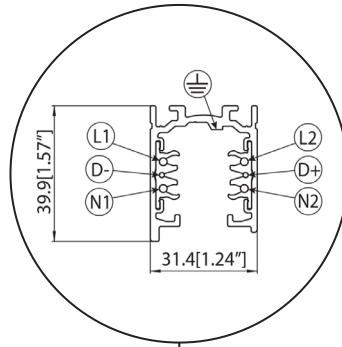


SURFACE

120V 2 CIRCUIT



277V 2 CIRCUIT



FIXING SPACING
2.95' AT 245N LOAD
1.48' AT 490N LOAD



- BLACK
RAL 9005
- WHITE
RAL 9016

Surface Code Builder

TRACK

TRACK	TRACK VOLTAGE	CIRCUITS	PROFILE	FINISH	LENGTH
OT - OneTrack	120 - 120V AC 277 - 277V AC	2 - 2	SUR - Surface	BK - Black WH - White	4F - 4 Foot 8F - 8 Foot 12F - 12 Foot



ACCESSORIES

TRACK	TRACK VOLTAGE	CIRCUITS	PROFILE	FINISH	TYPE
OT - OneTrack	120 - 120V AC 277 - 277V AC	2 - 2	SUR - Surface	BK - Black WH - White	EFR - End Feed Right EFL - End Feed Left JCN - Jointing Connector ECS - End Cap MJ - Middle Joint LCI - L Coupler Inner LCO - L Coupler Outer TCA - T Coupler Type A TCB - T Coupler Type B TCC - T Coupler Type C TCD - T Coupler Type D XCP - X Coupler ACP - Adjustable Coupler MTP - Monopoint CUT - Cutting Tool for Track Conductors CLR - End Feed for Current Limiting Feed - Right CLL - End Feed for Current Limiting Feed - Left

CODE EXAMPLE

Track: OT-120-SUR-2-BK-4F

Accessories: OT-120-SUR-2-BK-EFL

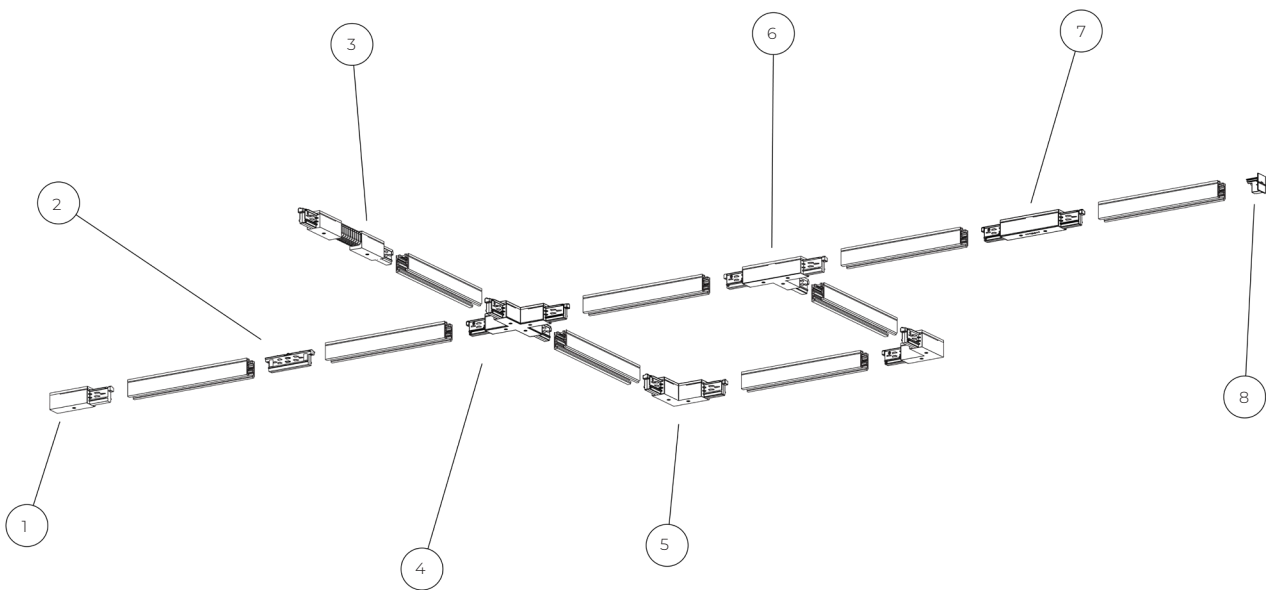
ONETRACK UL Surface 2 Circuit Track

Stucchi OneTrack UL Surface track is available in both 2 circuit 120V and 277V AC in lengths of 4 ft or 8 ft. It is a flexible 3 phase mixed system with two additional conductors for managing general data signals like DALI or 0 - 10V (1 – 10V). It is available in black and white finishes. The external body is made up of extruded aluminium, insulated in PVC with copper conductors.

IT SUPPORTS:

L1/L2/N1/N2/ground 2x120V/20A + D+/D- 2x1A/50V FELV AC (DALI)

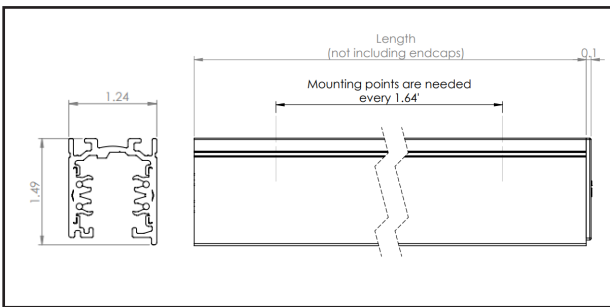
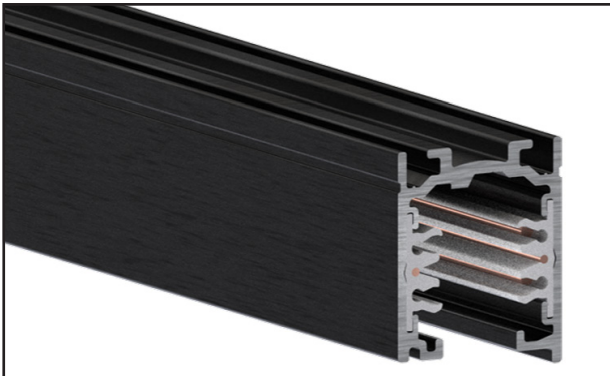
L1/L2/N1/N2/ground 2x277V/20A + D+/D- 2x1A/50V FELV AC (DALI)



KEY:

1. End Feed
2. Joining Connector - internal connector for track lengths
3. Adjustable Corner
4. X Feed
5. L Feed
6. T Feed
7. Middle Joint - connects track lengths
8. End Cap

ONETRACK UL Surface 120V 2 Circuit



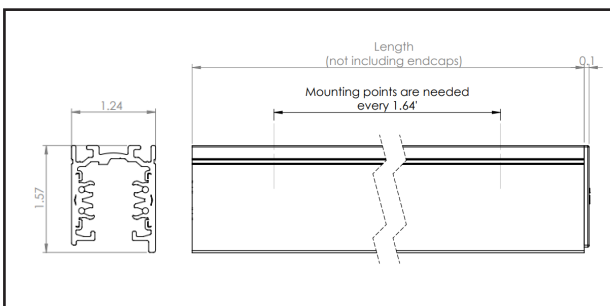
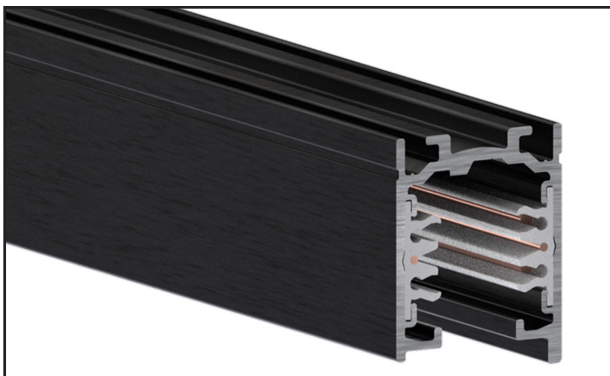
PHYSICAL

CONSTRUCTION MATERIALS:	Extruded aluminium profile; Insulated extruded PVC body Copper conductors
NO. CIRCUITS:	2x independent switchable circuits
DATA BUS:	Yes
WEIGHT:	1.2 kg (4 ft)
CUTTING:	Cutting to length on site possible

ORDER CODE

	4.0ft	8.0ft	12.0ft
White	OT-120-2-SUR-WH-4F	OT-120-2-SUR-WH-8F	OT-120-2-SUR-WH-12F
Black	OT-120-2-SUR-BK-4F	OT-120-2-SUR-BK-8F	OT-120-2-SUR-BK-12F

ONETRACK UL Surface 277V 2 Circuit



PHYSICAL

CONSTRUCTION MATERIALS:	Extruded aluminium profile; Insulated extruded PVC body Copper conductors
NO. CIRCUITS:	2x independent switchable circuits
DATA BUS:	Yes
WEIGHT:	1.2 kg (4 ft)
CUTTING:	Cutting to length on site possible

ORDER CODE

	4.0ft	8.0ft	12.0ft
White	OT-277-2-SUR-WH-4F	OT-277-2-SUR-WH-8F	OT-277-2-SUR-WH-12F
Black	OT-277-2-SUR-BK-4F	OT-277-2-SUR-BK-8F	OT-277-2-SUR-BK-12F

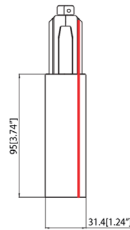
Surface Track Hardware Options

END FEEDS

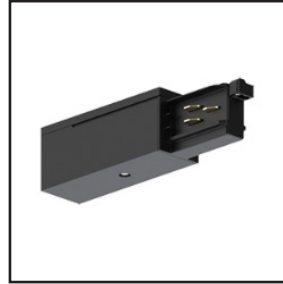
END FEED FOR 2 CIRCUIT APPLICATION - RIGHT
Compatible with all tracks



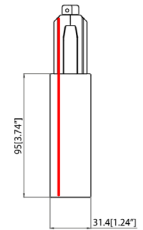
- BLACK:**
OT-120-2-REC-BK-EFR
OT-277-2-REC-BK-EFR
- WHITE:**
OT-120-2-REC-WH-EFR
OT-277-2-REC-WH-EFR



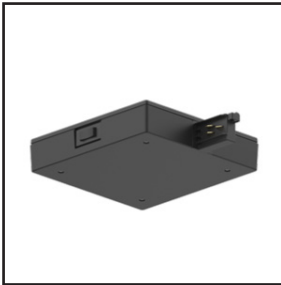
END FEED FOR 2 CIRCUIT APPLICATION - LEFT
Compatible with all tracks



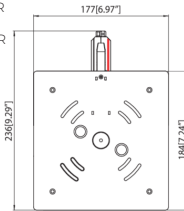
- BLACK:**
OT-120-2-REC-BK-EFL
OT-277-2-REC-BK-EFL
- WHITE:**
OT-120-2-REC-WH-EFL
OT-277-2-REC-WH-EFL



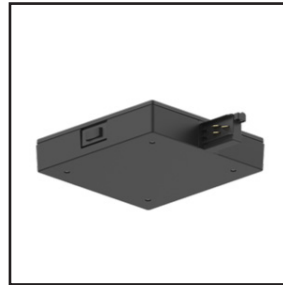
END FEED FOR CURRENT LIMITING FEED - RIGHT
Current limiting feed to be ordered separately refer to help page



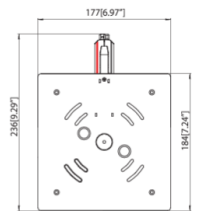
- BLACK:**
OT-120-2-SUR-BK-CLR
OT-277-2-SUR-BK-CLR
- WHITE:**
OT-120-2-SUR-WH-CLR
OT-277-2-SUR-WH-CLR



END FEED FOR CURRENT LIMITING FEED - LEFT
Current limiting feed to be ordered separately refer to help page

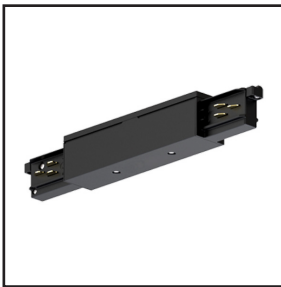


- BLACK:**
OT-120-2-SUR-BK-CLL
OT-277-2-SUR-BK-CLL
- WHITE:**
OT-120-2-SUR-WH-CLL
OT-277-2-SUR-WH-CLL

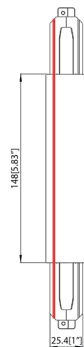


COUPLERS

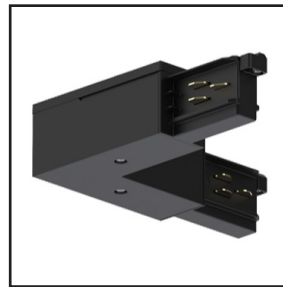
MIDDLE JOINT FOR 2 CIRCUIT APPLICATION
Compatible with all tracks



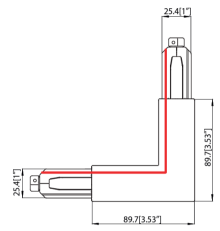
- BLACK:**
OT-120-2-SUR-BK-MJ
OT-277-2-SUR-BK-MJ
- WHITE:**
OT-120-2-SUR-WH-MJ
OT-277-2-SUR-WH-MJ



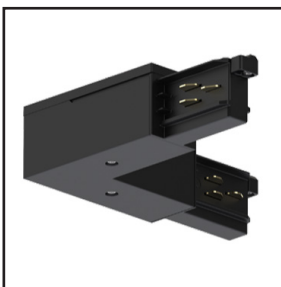
L FEED FOR 2 CIRCUIT APPLICATION - INNER
Compatible with all tracks



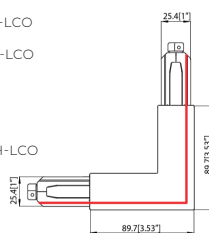
- L BLACK:**
OT-120-2-SUR-BK-LCI
OT-277-2-SUR-BK-LCI
- WHITE:**
OT-120-2-SUR-WH-LCI
OT-277-2-SUR-WH-LCI



L FEED FOR 2 CIRCUIT APPLICATION - OUTER
Compatible with all tracks



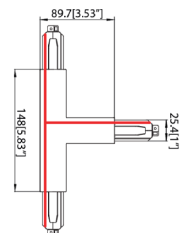
- BLACK:**
OT-120-2-SUR-BK-LCO
OT-277-2-SUR-BK-LCO
- WHITE:**
OT-120-2-SUR-WH-LCO
OT-277-2-SUR-WH-LCO



T FEED FOR 2 CIRCUIT APPLICATION - TYPE A
Compatible with all tracks



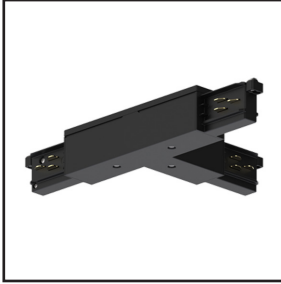
- BLACK:**
OT-120-2-SUR-BK-TCA
OT-277-2-SUR-BK-TCA
- WHITE:**
OT-120-2-SUR-WH-TCA
OT-277-2-SUR-WH-TCA



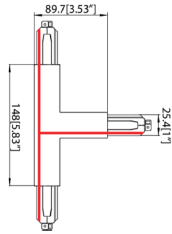
Surface Track Hardware Options

COUPLERS

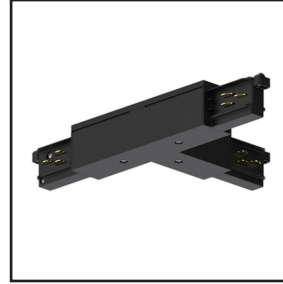
T FEED FOR 2 CIRCUIT APPLICATION - TYPE B
Compatible with all tracks



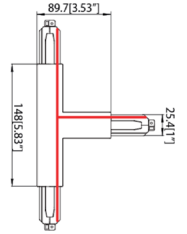
- BLACK:**
OT-120-2-SUR-BK-TCB
OT-277-2-SUR-BK-TCB
- WHITE:**
OT-120-2-SUR-WH-TCB
OT-277-2-SUR-WH-TCB



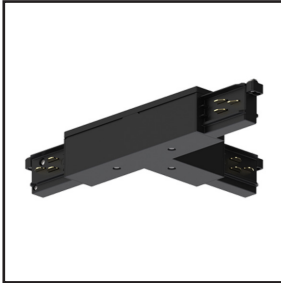
T FEED FOR 2 CIRCUIT APPLICATION - TYPE C
Compatible with all tracks



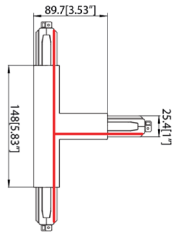
- BLACK:**
OT-120-2-SUR-BK-TCC
OT-277-2-SUR-BK-TCC
- WHITE:**
OT-120-2-SUR-WH-TCC
OT-277-2-SUR-WH-TCC



T FEED FOR 2 CIRCUIT APPLICATION - TYPE D
Compatible with all tracks



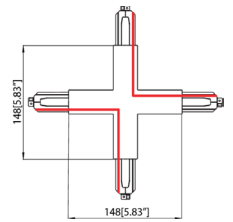
- BLACK:**
OT-120-2-SUR-BK-TCD
OT-277-2-SUR-BK-TCD
- WHITE:**
OT-120-2-SUR-WH-TCD
OT-277-2-SUR-WH-TCD



X FEED FOR 2 CIRCUIT APPLICATION
Compatible with all tracks



- BLACK:**
OT-120-2-SUR-BK-XCP
OT-277-2-SUR-BK-XCP
- WHITE:**
OT-120-2-SUR-WH-XCP
OT-277-2-SUR-WH-XCP



ADJUSTABLE CORNER FOR 2 CIRCUIT APPLICATION
Compatible with all tracks - 9018/B-2C - 9018/W-2C



- BLACK:**
OT-120-2-SUR-BK-ACP
OT-277-2-SUR-BK-ACP
- WHITE:**
OT-120-2-SUR-WH-ACP
OT-277-2-SUR-WH-ACP

JOINING CONNECTOR
Compatible with all tracks



- BLACK:**
OT-120-2-SUR-BK-JCN
OT-277-2-SUR-BK-JCN
- WHITE:**
OT-120-2-SUR-WH-JCN
OT-277-2-SUR-WH-JCN

ADDITIONAL ACCESSORIES

END CAP
Compatible with all tracks



- BLACK:**
OT-120-2-SUR-BK-ECS
OT-277-2-SUR-BK-ECS
- WHITE:**
OT-120-2-SUR-WH-ECS
OT-277-2-SUR-WH-ECS

MONOPOINT

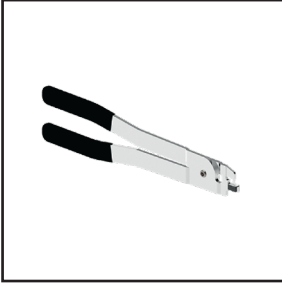


- BLACK:**
OT-120-2-SUR-BK-MPT
OT-277-2-SUR-BK-MPT
- WHITE:**
OT-120-2-SUR-WH-MPT
OT-277-2-SUR-WH-MPT

Surface Track Hardware Options

ADDITIONAL ACCESSORIES

CUTTING TOOL FOR TRACK CONDUCTORS
Compatible with all track options



BLACK:

OT-120-2-SUR-BK-CUT

OT-277-2-SUR-BK-CUT

WHITE:

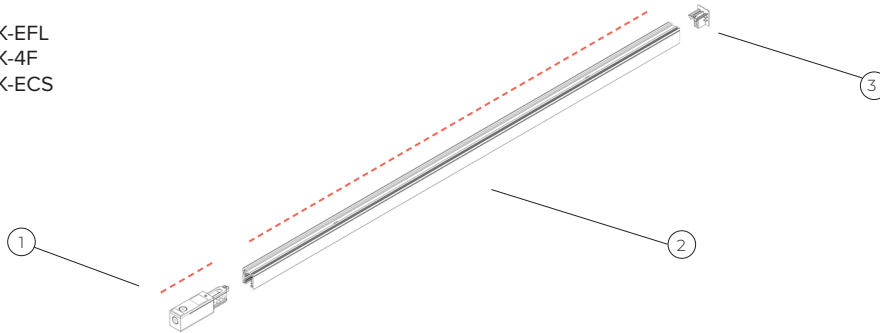
OT-120-2-SUR-WH-CUT

OT-277-2-SUR-WH-CUT

Example layout diagrams

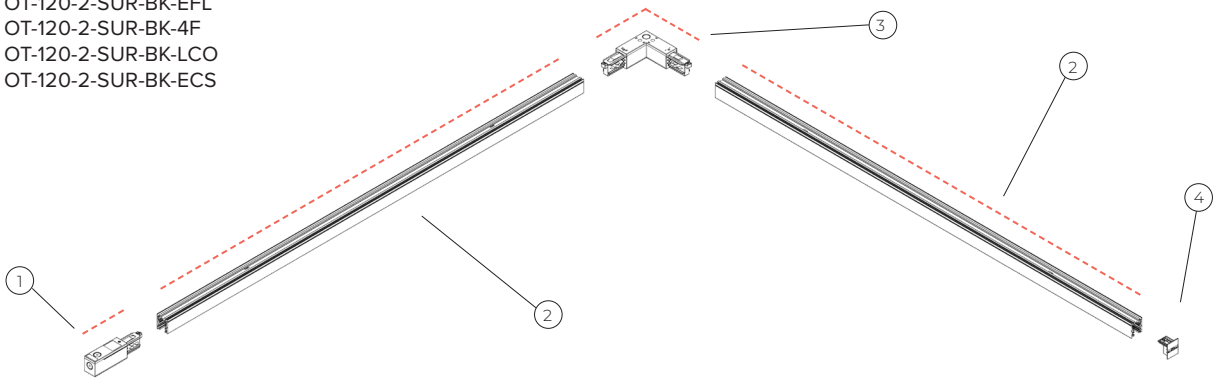
KEY:

1. OT-120-2-SUR-BK-EFL
2. OT-120-2-SUR-BK-4F
3. OT-120-2-SUR-BK-ECS



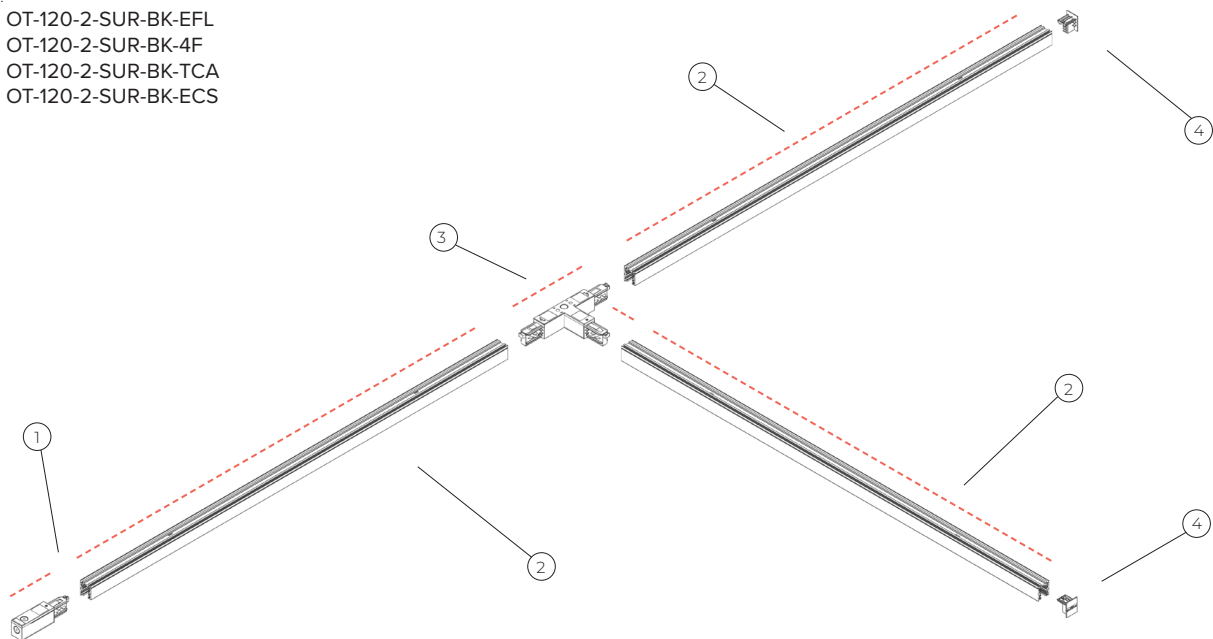
KEY:

1. OT-120-2-SUR-BK-EFL
2. OT-120-2-SUR-BK-4F
3. OT-120-2-SUR-BK-LCO
4. OT-120-2-SUR-BK-ECS



KEY:

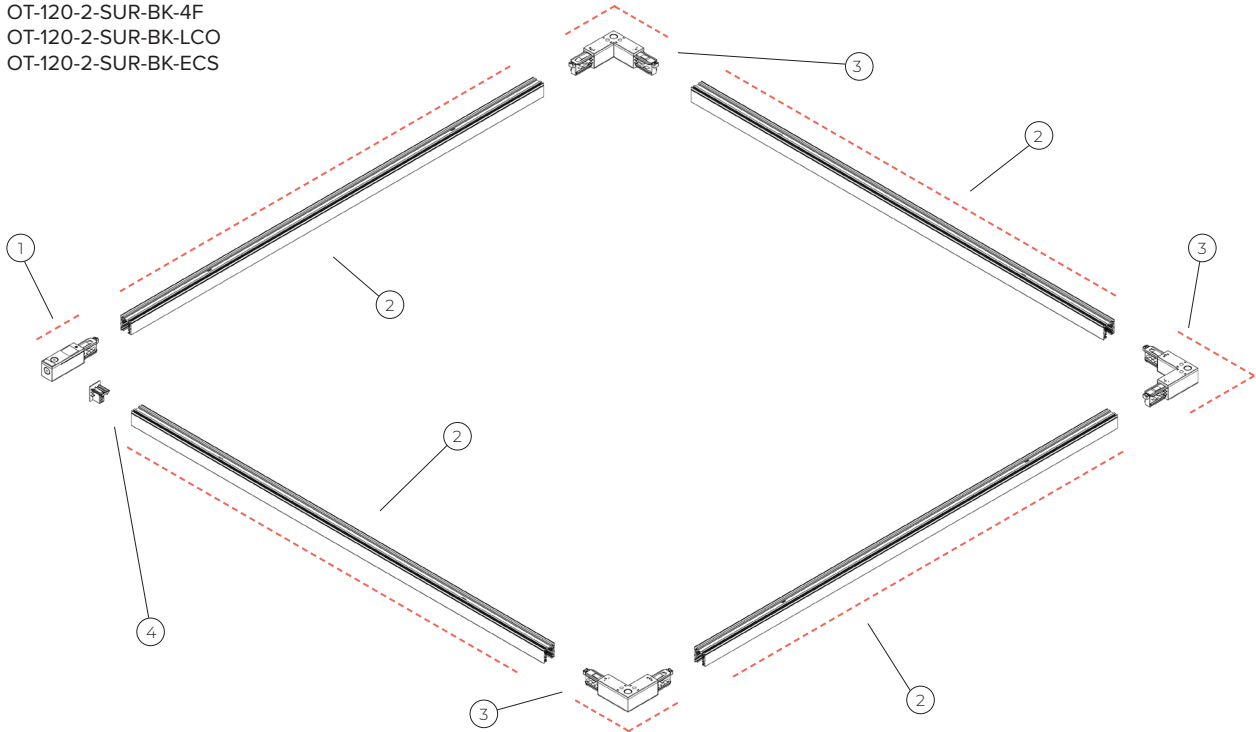
1. OT-120-2-SUR-BK-EFL
2. OT-120-2-SUR-BK-4F
3. OT-120-2-SUR-BK-TCA
4. OT-120-2-SUR-BK-ECS



Example layout diagrams

KEY:

1. OT-120-2-SUR-BK-EFL
2. OT-120-2-SUR-BK-4F
3. OT-120-2-SUR-BK-LCO
4. OT-120-2-SUR-BK-ECS



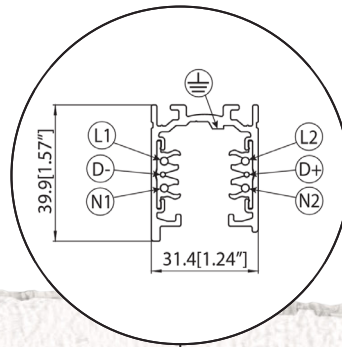
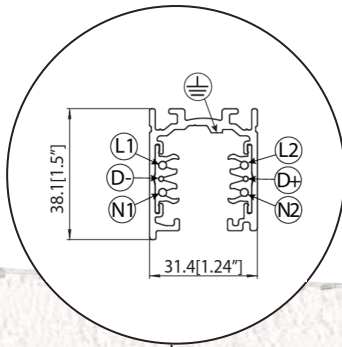
PLEASE ENSURE POLARITY REMAINS CONSISTENT THROUGHOUT TRACK SYSTEM



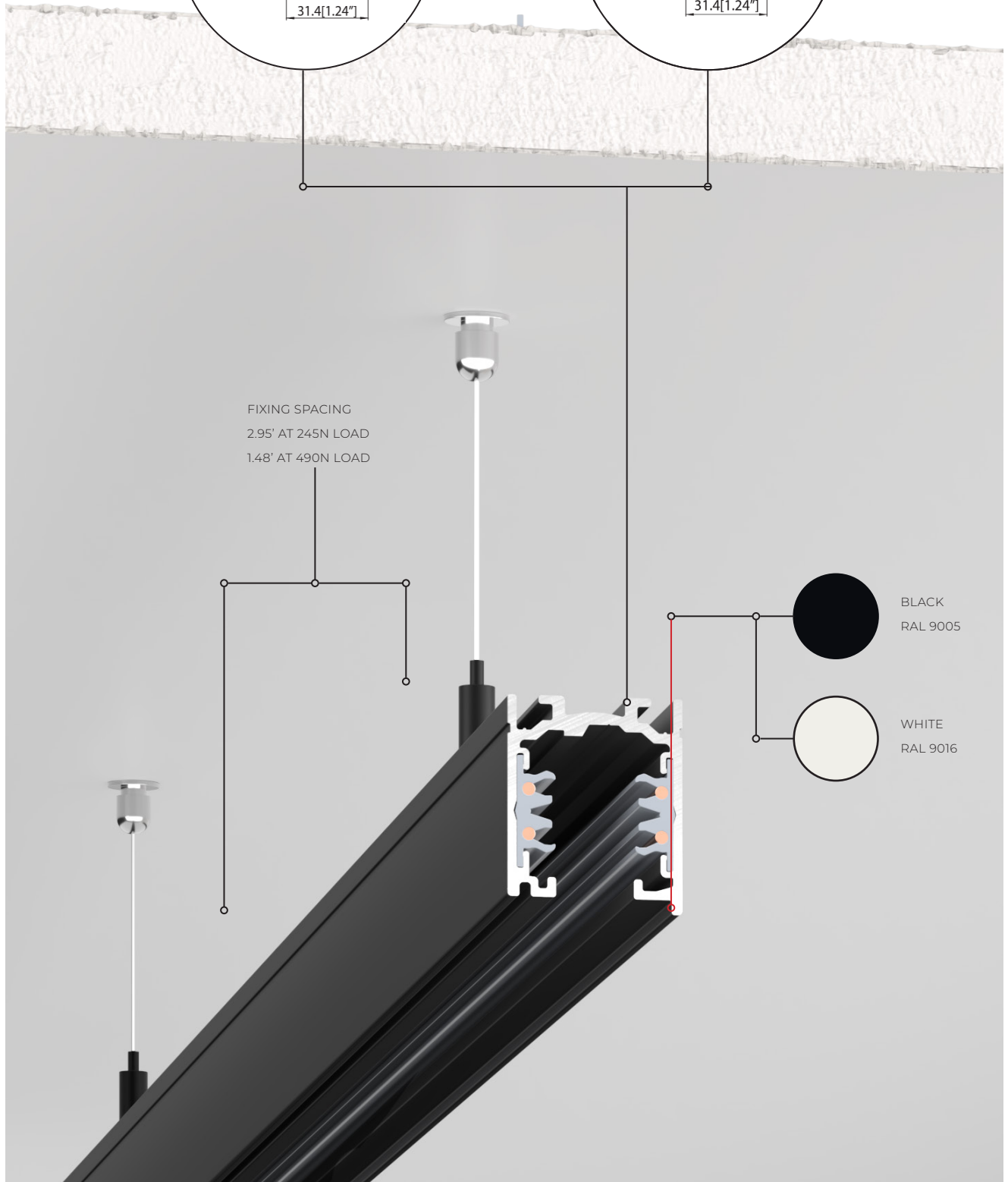
SUSPENDED

120V 2 CIRCUIT

277V 2 CIRCUIT



FIXING SPACING
2.95' AT 245N LOAD
1.48' AT 490N LOAD



BLACK
RAL 9005

WHITE
RAL 9016

Suspended Code Builder

TRACK

TRACK	TRACK VOLTAGE	CIRCUITS	PROFILE	FINISH	LENGTH
OT - OneTrack	120 - 120V AC 277 - 277V AC	2 - 2	SUS - Suspended	BK - Black WH - White	4F - 4 Foot 8F - 8 Foot 12F - 12 Foot



ACCESSORIES

TRACK	TRACK VOLTAGE	CIRCUITS	PROFILE	FINISH	TYPE
OT - OneTrack	120 - 120V AC 277 - 277V AC	2 - 2	SUS - Suspended	BK - Black WH - White	EFR - End Feed Right EFL - End Feed Left JCN - Jointing Connector ECS - End Cap MJ - Middle Joint LCI - L Coupler Inner LCO - L Coupler Outer TCA - T Coupler Type A TCB - T Coupler Type B TCC - T Coupler Type C TCD - T Coupler Type D XCP - X Coupler ACP - Adjustable Coupler CUT - Cutting Tool for Track Conductors CLR - End Feed for Current Limiting Feed - Right CLL - End Feed for Current Limiting Feed - Left SCS - Steel Cable Suspension Set SCL - Steel Cable Suspension Set w. Cable lock SST - Solid Stem Suspension Set S12 - Stem 12 Inch S18 - Stem 18 Inch S24 - Stem 24 Inch S48 - Stem 48 Inch C59 - Cable Suspension Kit 8 1.5 C118 - Cable Suspension Kit 8 3 C196 - Cable Suspension Kit 8 5 CPE - Short Pendant Bracket for Suspension

CODE EXAMPLE

Track: OT-120-SUS-2-BK-4F
 Accessories: OT-120-SUS-2-BK-EFL

These items are raw aluminium finish

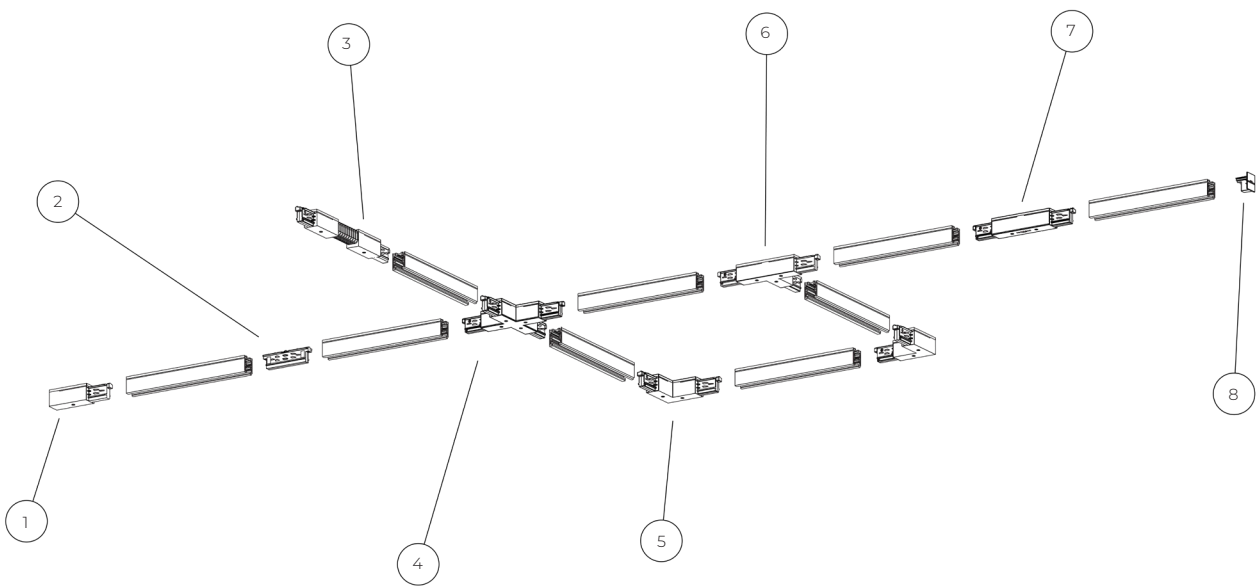
ONETRACK UL Suspended 2 Circuit Track

Stucchi OneTrack UL Suspended track is available in both 2 circuit 120V and 277V AC in lengths of 4 ft or 8ft. It is a flexible 3 phase mixed system with two additional conductors for managing general data signals like DALI or 0 - 10V (1 – 10V). It is available in black and white finishes. The external body is made up of extruded aluminium, insulated in PVC with copper conductors.

It supports:

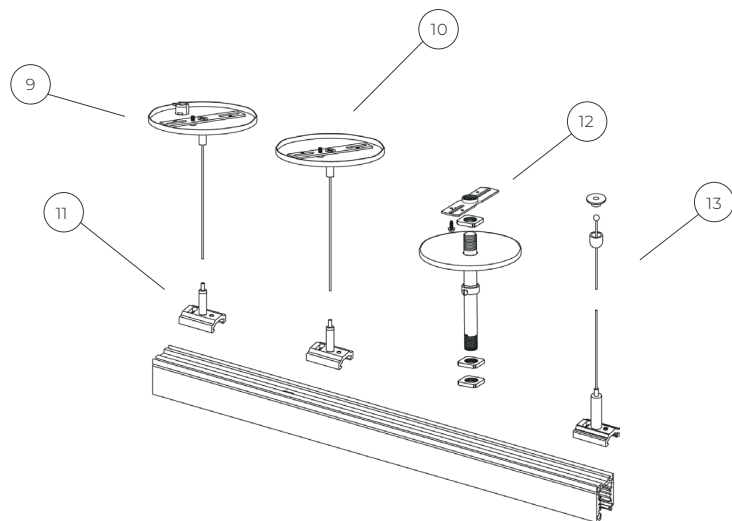
L1/L2/N1/N2/ground 2x120V/20A + D+/D- 2x1A/50V FELV AC (DALI)

L1/L2/N1/N2/ground 2x277V/20A + D+/D- 2x1A/50V FELV AC (DALI)

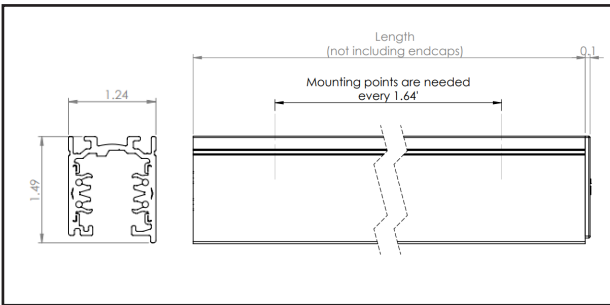
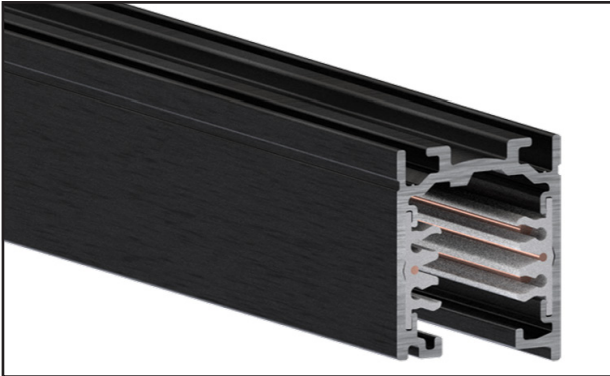


KEY:

1. End Feed
2. Joining Connector- internal connector for track lengths
3. Adjustable Corner
4. X Feed
5. L Feed
6. T Feed
7. Middle Joint - connects track lengths
8. End Cap
9. Steel Cable Suspension Set with Cable Lock
10. Steel Cable Suspension Set
11. Short Pendant Bracket for Suspension
12. Solid Stem Suspension (stem separate)
13. Suspension Kit 8



ONETRACK UL Suspended 120V 2 Circuit



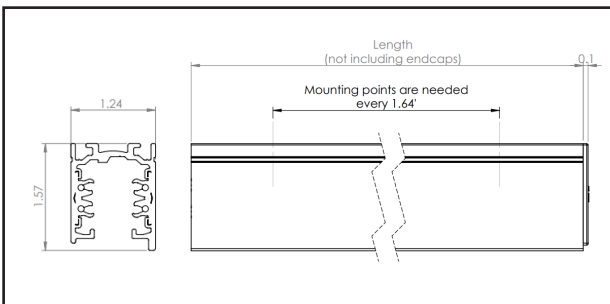
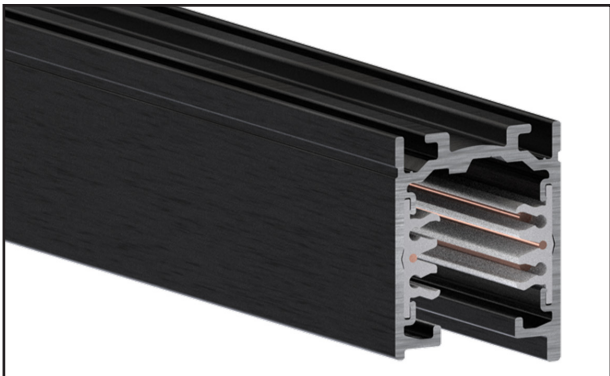
PHYSICAL

CONSTRUCTION MATERIALS:	Extruded aluminium profile; Insulated extruded PVC body Copper conductors
NO. CIRCUITS:	2x independent switchable circuits
DATA BUS:	Yes
WEIGHT:	1.2 kg (4 ft)
CUTTING:	Cutting to length on site possible

ORDER CODE

	4.0ft	8.0ft	12.0ft
White	OT-120-2-SUS-WH-4F	OT-120-2-SUS-WH-8F	OT-120-2-SUS-WH-12F
Black	OT-120-2-SUS-BK-4F	OT-120-2-SUS-BK-8F	OT-120-2-SUS-BK-12F

ONETRACK UL Suspended 277V 2 Circuit



PHYSICAL

CONSTRUCTION MATERIALS:	Extruded aluminium profile; Insulated extruded PVC body Copper conductors
NO. CIRCUITS:	2x independent switchable circuits
DATA BUS:	Yes
WEIGHT:	1.2 kg (4 ft)
CUTTING:	Cutting to length on site possible

ORDER CODE

	4.0ft	8.0ft	12.0ft
White	OT-277-2-SUS-WH-4F	OT-277-2-SUS-WH-8F	OT-277-2-SUS-WH-12F
Black	OT-277-2-SUS-BK-4F	OT-277-2-SUS-BK-8F	OT-277-2-SUS-BK-12F

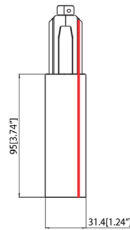
Suspended Track Hardware Options

END FEEDS

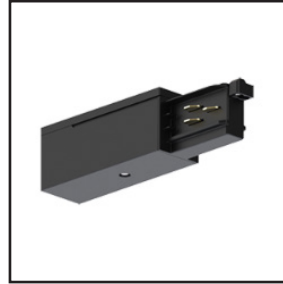
END FEED FOR 2 CIRCUIT APPLICATION - RIGHT
Compatible with all tracks



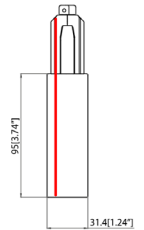
- BLACK:**
OT-120-2-SUS-BK-EFR
OT-277-2-SUS-BK-EFR
- WHITE:**
OT-120-2-SUS-WH-EFR
OT-277-2-SUS-WH-EFR



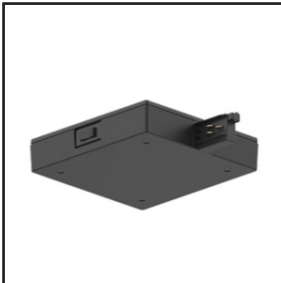
END FEED FOR 2 CIRCUIT APPLICATION - LEFT
Compatible with all tracks



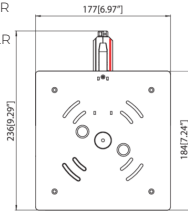
- BLACK:**
OT-120-2-SUS-BK-EFL
OT-277-2-SUS-BK-EFL
- WHITE:**
OT-120-2-SUS-WH-EFL
OT-277-2-SUS-WH-EFL



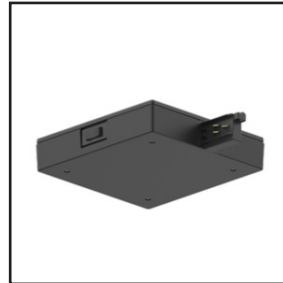
END FEED FOR CURRENT LIMITING FEED - RIGHT
Current limiting feed to be ordered separately



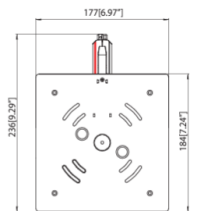
- BLACK:**
OT-120-2-SUS-BK-CLR
OT-277-2-SUS-BK-CLR
- WHITE:**
OT-120-2-SUS-WH-CLR
OT-277-2-SUS-WH-CLR



END FEED FOR CURRENT LIMITING FEED - LEFT
Current limiting feed to be ordered separately

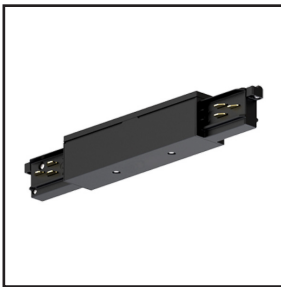


- BLACK:**
OT-120-2-SUS-BK-CLL
OT-277-2-SUS-BK-CLL
- WHITE:**
OT-120-2-SUS-WH-CLL
OT-277-2-SUS-WH-CLL

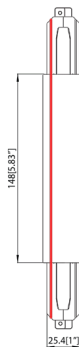


COUPLERS

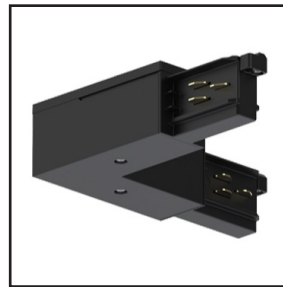
MIDDLE JOINT FOR 2 CIRCUIT APPLICATION
Compatible with all tracks



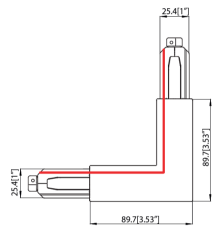
- BLACK:**
OT-120-2-SUS-BK-MJ
OT-277-2-SUS-BK-MJ
- WHITE:**
OT-120-2-SUS-WH-MJ
OT-277-2-SUS-WH-MJ



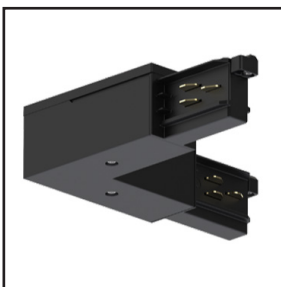
L FEED FOR 2 CIRCUIT APPLICATION - INNER
Compatible with all tracks



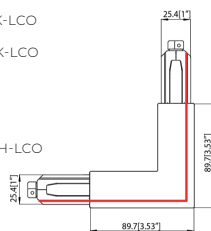
- BLACK:**
OT-120-2-SUS-BK-LCI
OT-277-2-SUS-BK-LCI
- WHITE:**
OT-120-2-SUS-WH-LCI
OT-277-2-SUS-WH-LCI



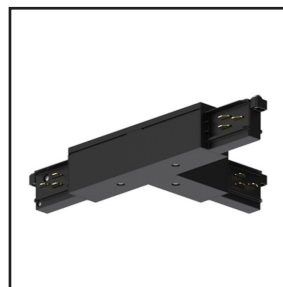
L FEED FOR 2 CIRCUIT APPLICATION - OUTER
Compatible with all tracks



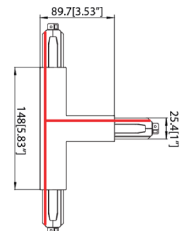
- BLACK:**
OT-120-2-SUS-BK-LCO
OT-277-2-SUS-BK-LCO
- WHITE:**
OT-120-2-SUS-WH-LCO
OT-277-2-SUS-WH-LCO



T FEED FOR 2 CIRCUIT APPLICATION - TYPE A
Compatible with all tracks



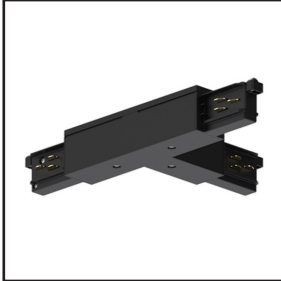
- BLACK:**
OT-120-2-SUS-BK-TCA
OT-277-2-SUS-BK-TCA
- WHITE:**
OT-120-2-SUS-WH-TCA
OT-277-2-SUS-WH-TCA



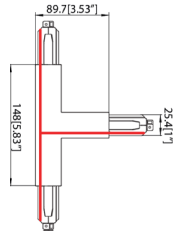
Suspended Track Hardware Options

COUPLERS

T FEED FOR 2 CIRCUIT APPLICATION
Compatible with all tracks



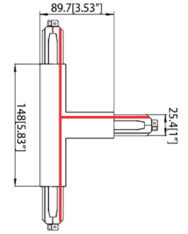
- BLACK:**
OT-120-2-SUS-BK-TCB
OT-277-2-SUS-BK-TCB
- WHITE:**
OT-120-2-SUS-WH-TCB
OT-277-2-SUS-WH-TCB



T FEED FOR 2 CIRCUIT APPLICATION
Compatible with all tracks



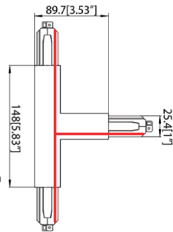
- BLACK:**
OT-120-2-SUS-BK-TCC
OT-277-2-SUS-BK-TCC
- WHITE:**
OT-120-2-SUS-WH-TCC
OT-277-2-SUS-WH-TCC



T FEED FOR 2 CIRCUIT APPLICATION
Compatible with all tracks



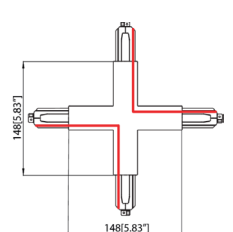
- BLACK:**
OT-120-2-SUS-BK-TCD
OT-277-2-SUS-BK-TCD
- WHITE:**
OT-120-2-SUS-WH-TCD
OT-277-2-SUS-WH-TCD



X FEED FOR 2 CIRCUIT APPLICATION
Compatible with all tracks



- BLACK:**
OT-120-2-SUS-BK-XCP
OT-277-2-SUS-BK-XCP
- WHITE:**
OT-120-2-SUS-WH-XCP
OT-277-2-SUS-WH-XCP



ADJUSTABLE CORNER FOR 2 CIRCUIT APPLICATION
Compatible with all tracks - 9018/B-2C - 9018/W-2C



- BLACK:**
OT-120-2-SUS-BK-ACP
OT-277-2-SUS-BK-ACP
- WHITE:**
OT-120-2-SUS-WH-ACP
OT-277-2-SUS-WH-ACP

JOINTING CONNECTOR
Compatible with all tracks



- BLACK:**
OT-120-2-SUS-BK-JCN
OT-277-2-SUS-BK-JCN
- WHITE:**
OT-120-2-SUS-WH-JCN
OT-277-2-SUS-WH-JCN

ADDITIONAL ACCESSORIES

END CAP
Compatible with all tracks



- BLACK:**
OT-120-2-SUS-BK-ECS
OT-277-2-SUS-BK-ECS
- WHITE:**
OT-120-2-SUS-WH-ECS
OT-277-2-SUS-WH-ECS

CUTTING TOOL FOR TRACK CONDUCTORS
Compatible with all track options



- BLACK:**
OT-120-2-SUS-BK-CUT
OT-277-2-SUS-BK-CUT
- WHITE:**
OT-120-2-SUS-WH-CUT
OT-277-2-SUS-WH-CUT

Suspended Track Hardware Options

SUSPENSION OPTIONS

STEEL CABLE SUSPENSION SET

Requires short pendant bracket for suspension



BLACK:

36 INCH:

OT-120-2-SUS-BK-SC1

OT-277-2-SUS-BK-SC1

120 INCH:

OT-120-2-SUS-BK-SC2

OT-277-2-SUS-BK-SC2

200 INCH:

OT-120-2-SUS-BK-SC3

OT-277-2-SUS-BK-SC3

WHITE:

36 INCH:

OT-120-2-SUS-WH-SC1

OT-277-2-SUS-WH-SC1

120 INCH:

OT-120-2-SUS-WH-SC2

OT-277-2-SUS-WH-SC2

200 INCH:

OT-120-2-SUS-WH-SC3

OT-277-2-SUS-WH-SC3

INCLUDES:

- Mounting bracket
- Metal cup
- Steel cable

STEEL CABLE SUSPENSION SET WITH CABLE LOCK

Requires short pendant bracket for suspension



BLACK:

36 INCH:

OT-120-2-SUS-BK-SCL1

OT-277-2-SUS-BK-SCL1

120 INCH:

OT-120-2-SUS-BK-SCL2

OT-277-2-SUS-BK-SCL2

200 INCH:

OT-120-2-SUS-BK-SCL3

OT-277-2-SUS-BK-SCL3

INCLUDES:

- Mounting bracket
- Metal cup
- Steel cable
- Cable lock

WHITE:

36 INCH:

OT-120-2-SUS-WH-SCL1

OT-277-2-SUS-WH-SCL1

120 INCH:

OT-120-2-SUS-WH-SCL2

OT-277-2-SUS-WH-SCL2

200 INCH:

OT-120-2-SUS-WH-SCL3

OT-277-2-SUS-WH-SCL3

SHORT PENDANT BRACKET FOR SUSPENSION

To be provided as an assembly



ALUMINIUM SUSPENSION SET

FOR BLACK SYSTEM:

OT-120-2-SUS-BK-CPE

OT-277-2-SUS-BK-CPE

ALUMINIUM SUSPENSION SET

FOR WHITE SYSTEM:

OT-120-2-SUS-WH-CPE

OT-277-2-SUS-WH-CPE

INCLUDES:

- Short pendant bracket
- Automatic M5 gripper
- Set screw for gripper on the bracket

SUSPENSION KIT 8

Compatible with surface and suspended track



ALUMINIUM SUSPENSION SET

FOR BLACK SYSTEM:

4 FT 9":

OT-120-2-SUS-BK-C59

OT-277-2-SUS-BK-C59

9 FT 8":

OT-120-2-SUS-BK-C118

OT-277-2-SUS-BK-C118

16 FT 4":

OT-120-2-SUS-BK-C196

OT-277-2-SUS-BK-C196

ALUMINIUM SUSPENSION SET

FOR WHITE SYSTEM:

4 FT 9":

OT-120-2-SUS-WH-C59

OT-277-2-SUS-WH-C59

9 FT 8":

OT-120-2-SUS-WH-C118

OT-277-2-SUS-WH-C118

16 FT 4":

OT-120-2-SUS-WH-C196

OT-277-2-SUS-WH-C196

INCLUDES:

- Round head ceiling attachment
- Ø 0.06" steel cable with spherical end.
- Bracket with automatic gripper

Suspended Track Hardware Options

SUSPENSION OPTIONS

SOLID STEM SUSPENSION SET Stem to be added separately



ALUMINIUM SUSPENSION SET
FOR BLACK SYSTEM:
OT-120-2-SUS-BK-SST
OT-277-2-SUS-BK-SST

ALUMINIUM SUSPENSION SET
FOR WHITE SYSTEM:
OT-120-2-SUS-WH-SST
OT-277-2-SUS-WH-SST

- INCLUDES:
- Crossbar
 - Metal cup
 - Mounting bracket

STEM To be added to Solid Stem Suspension Set



ALUMINIUM SUSPENSION SET
FOR BLACK SYSTEM:

12":
OT-120-2-SUS-BK-S12
OT-277-2-SUS-BK-S12

18":
OT-120-2-SUS-BK-S18
OT-277-2-SUS-BK-S18

24":
OT-120-2-SUS-BK-S24
OT-277-2-SUS-BK-S24
48":
OT-120-2-SUS-BK-S48
OT-277-2-SUS-BK-S48

ALUMINIUM SUSPENSION SET
FOR WHITE SYSTEM:

12":
OT-120-2-SUS-WH-S12
OT-277-2-SUS-WH-S12

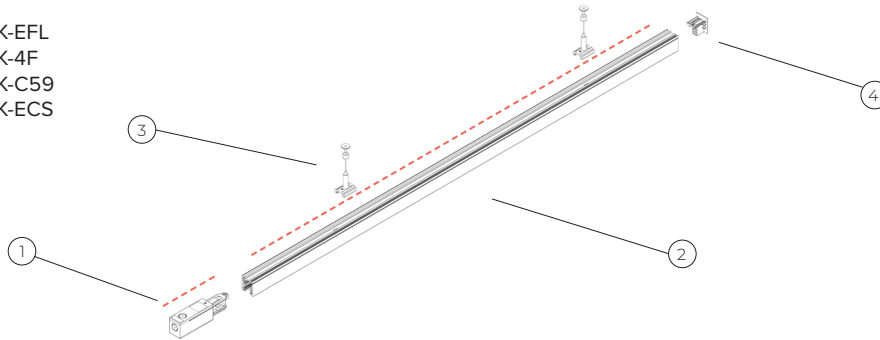
18":
OT-120-2-SUS-WH-S18
OT-277-2-SUS-WH-S18

24":
OT-120-2-SUS-WH-S24
OT-277-2-SUS-WH-S24
48":
OT-120-2-SUS-WH-S48
OT-277-2-SUS-WH-S48

Example layout diagrams

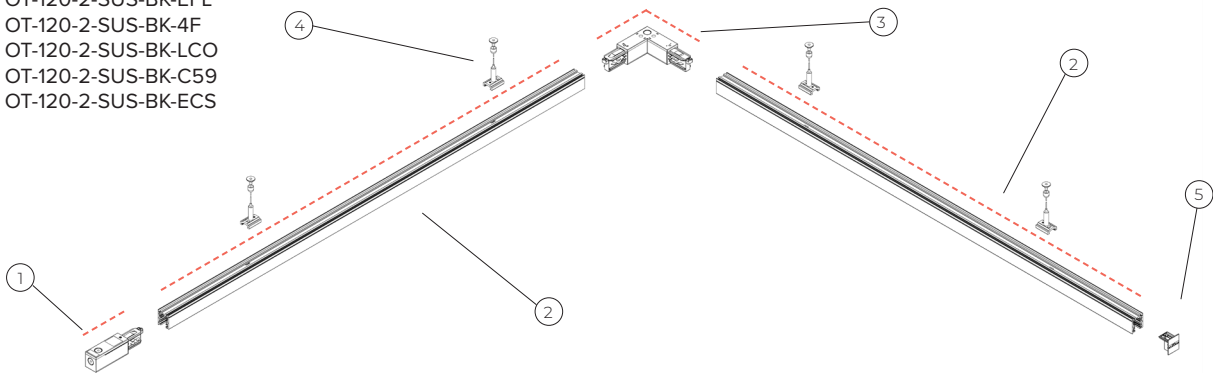
KEY:

1. OT-120-2-SUS-BK-EFL
2. OT-120-2-SUS-BK-4F
3. OT-120-2-SUS-BK-C59
4. OT-120-2-SUS-BK-ECS



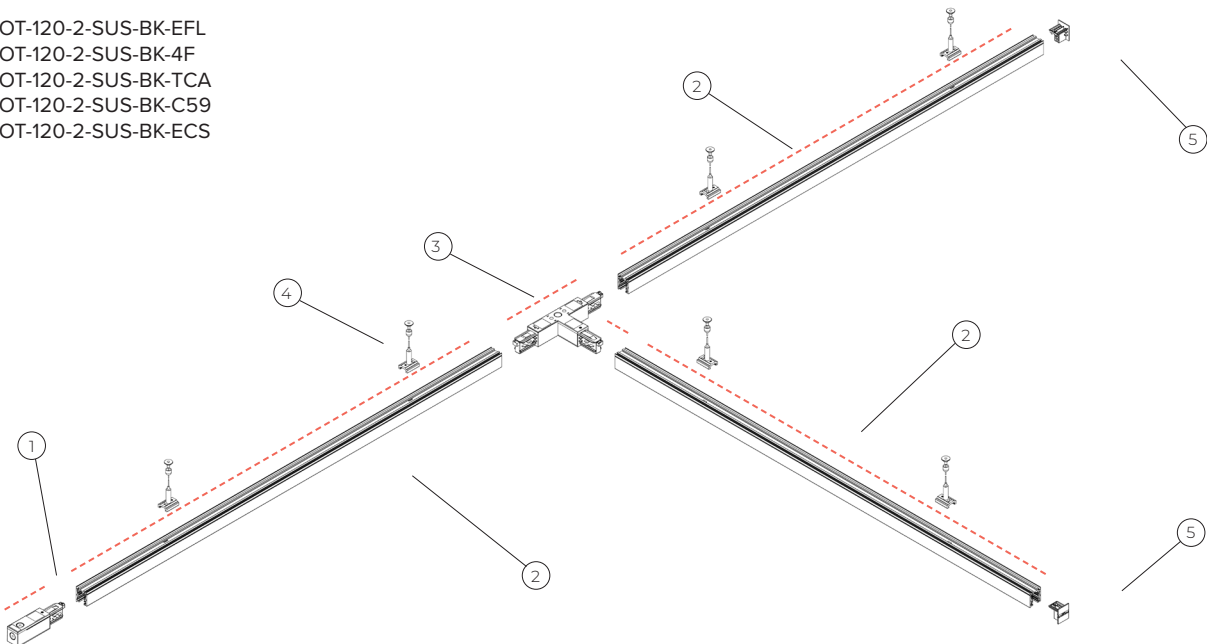
KEY:

1. OT-120-2-SUS-BK-EFL
2. OT-120-2-SUS-BK-4F
3. OT-120-2-SUS-BK-LCO
4. OT-120-2-SUS-BK-C59
5. OT-120-2-SUS-BK-ECS



KEY:

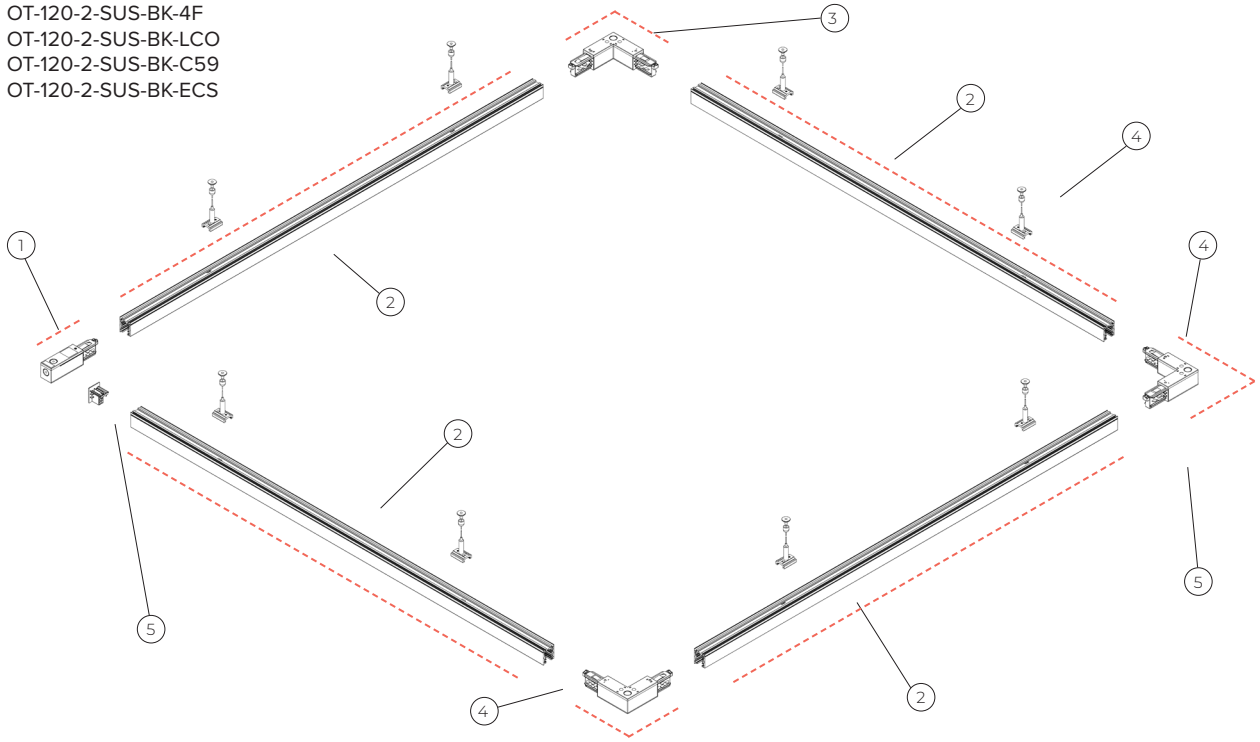
1. OT-120-2-SUS-BK-EFL
2. OT-120-2-SUS-BK-4F
3. OT-120-2-SUS-BK-TCA
4. OT-120-2-SUS-BK-C59
5. OT-120-2-SUS-BK-ECS



Example layout diagrams

KEY:

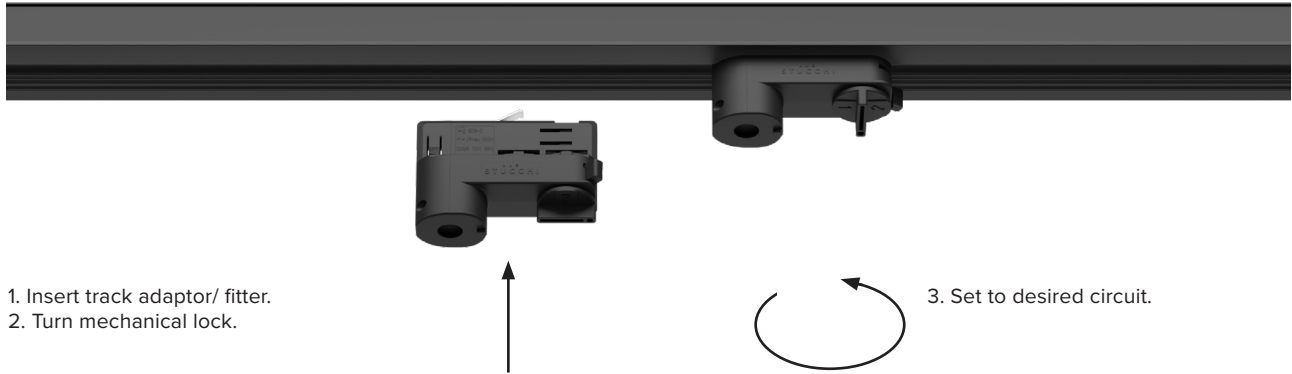
1. OT-120-2-SUS-BK-EFL
2. OT-120-2-SUS-BK-4F
3. OT-120-2-SUS-BK-LCO
4. OT-120-2-SUS-BK-C59
5. OT-120-2-SUS-BK-ECS



PLEASE ENSURE POLARITY REMAINS CONSISTENT THROUGHOUT TRACK SYSTEM

General Technical Information

INSERTING TRACK ADAPTOR/ FITTER

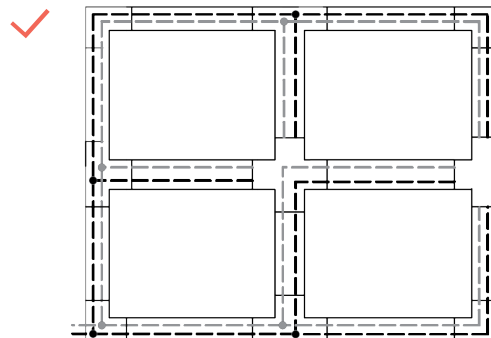
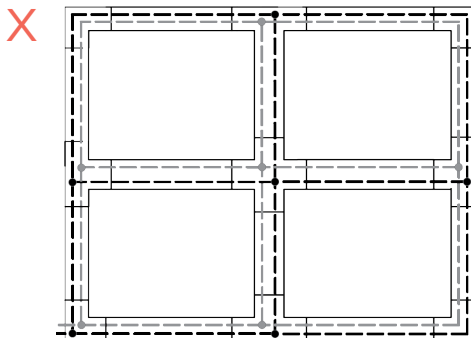
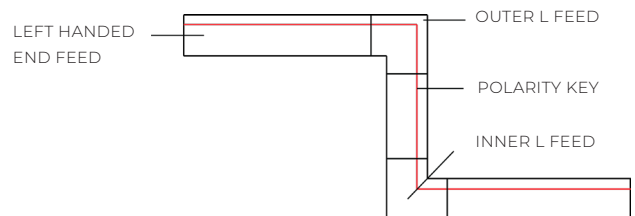
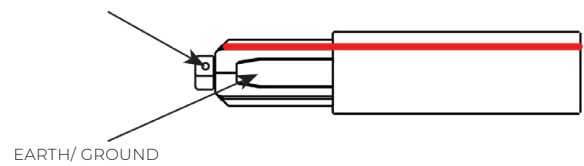


POLARITY

Consistent polarity must be kept throughout the circuit. Please ensure that the data bus wiring does not create a ring structure. A failure free data bus cannot be ensured if one is present. If the track installation requires the use of 'L' 'T' or 'X' shaped joints, it is possible to disconnect the data bus in these joints to avoid creating a ring structure.

If the track requires L T or X joints polarity must be observed throughout the system. The track power feeds and interconnectors have markings for D+ & D-. For DALI installations the luminaires are themselves not polarity sensitive however you must ensure the data bus wiring does not create a ring structure. For 1-10V installations the luminaires are polarity sensitive, you must ensure the data bus wiring does not create a ring structure and that polarity is maintained in relation to the polarity key on the track by using left handed / right handed, internal and external connectors. If the track installation requires the use of L T or X joints, it is possible to disconnect the data bus in these joints to avoid creating a ring. Pay attention at joints between track sections that the polarity key feature is on the same side across tracks. Miss-wiring will result in a short or sections of non-controllable lights.

SCREW/ POLARITY

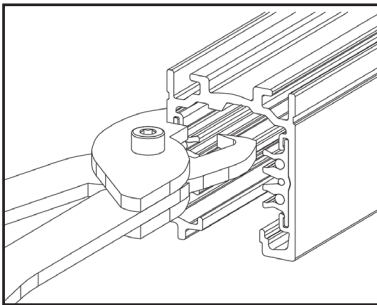


General Technical Information

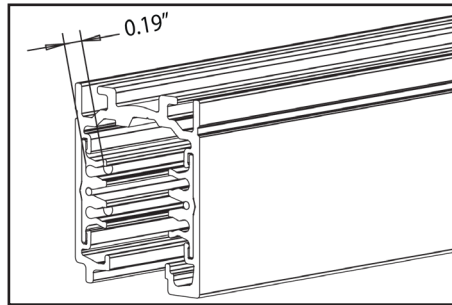
IMPORTANT TRACK INSTALLATION DIRECTIONS

CONDUCTOR PREPARATION

The track bars with length 4'-8'-12'* (12' not available in recessed and trimless version) are provided with the copper conductors already recessed, in compliance with the relevant safety standard. If it is necessary to shorten the track during installation this operation must be done with a tool intended for cutting aluminum. After cutting operation it is necessary to bend the power conductors with the CUT tool to recess the 4 power conductors at least of 0,196" so that the correct air, surface and electrical distances are respected



RECESSING TRACK
CONDUCTORS



MINIMUM RECESSING

CURRENT LIMITERS

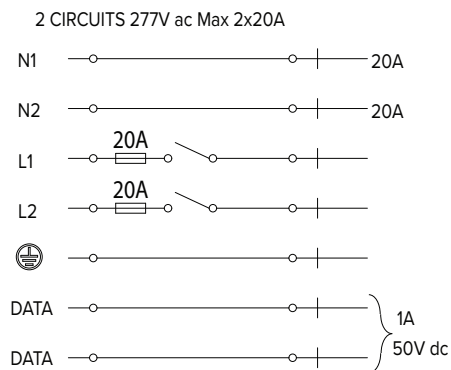
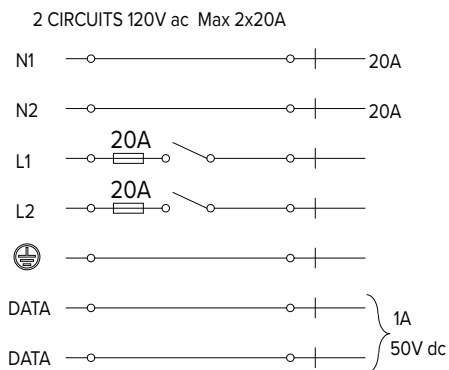
Current limiters are intended to be installed at track feed locations in place of a standard non-limiting feed. These feeds incorporate a circuit breaker which are designed to limit available wattage to the track. This lets you optimize the potential of line-voltage track lighting without being penalized by watts-per-foot code calculations.

These current limiters are rated at 20A. They are supplied bare with circuit breakers to be purchased separately.

Suitable circuit breakers for our Current Limiting End Feeds:

120V Carling Technologies Series M

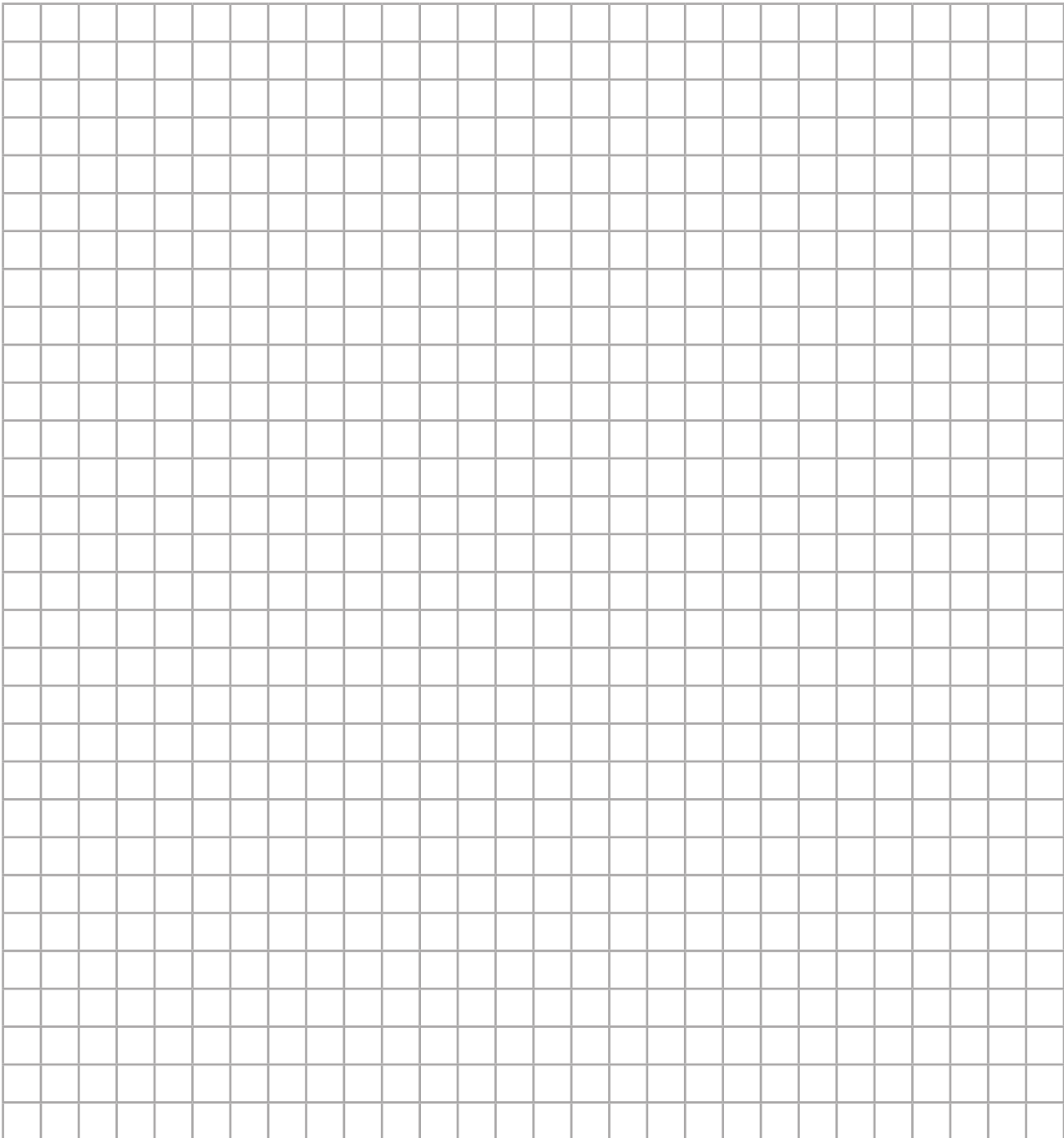
277V Carling Technologies Series A
Sensata Technologies IUGZX



ONETRACK SYSTEM SKETCH GRID

Use grid below to sketch out details of the OneTrack Track System. Include as many details as possible such as:

- Shape
- Dimensions of each leg
- Location of Power Feeds
- Location and Type of Track Modules (Directional, Ambient, Track Heads)
- Ceiling Thickness (for Trimless Tracks)



CONTACT US

224.333.6033
info@luminii.com
luminii.com

NILES OFFICE

7777 Merrimac Ave.
Niles, IL 60714
403.216.7043

COOKEVILLE OFFICE

1093 Volunteer Dr.
Cookeville, TN 38506
931.528.1052

CALGARY OFFICE

302 50 Ave SE. Calgary, AB T2G 2A9
Canada
403.216.7043

LONDON OFFICE

42 Riverside Road London, United
Kingdom SW17 0BA
020.8947.6616