

# Power Supply Wiring Diagram - Static White

Models: PS-XX

Please read all instructions prior to installation and keep for future reference!

1. PRODUCT TO BE INSTALLED BY A QUALIFIED ELECTRICIAN.



7777 Merrimac Ave  
Niles, IL 60714  
T 224.333.6033  
F 224.757.7557  
info@luminii.com  
www.luminii.com

REVO.1  
10062024

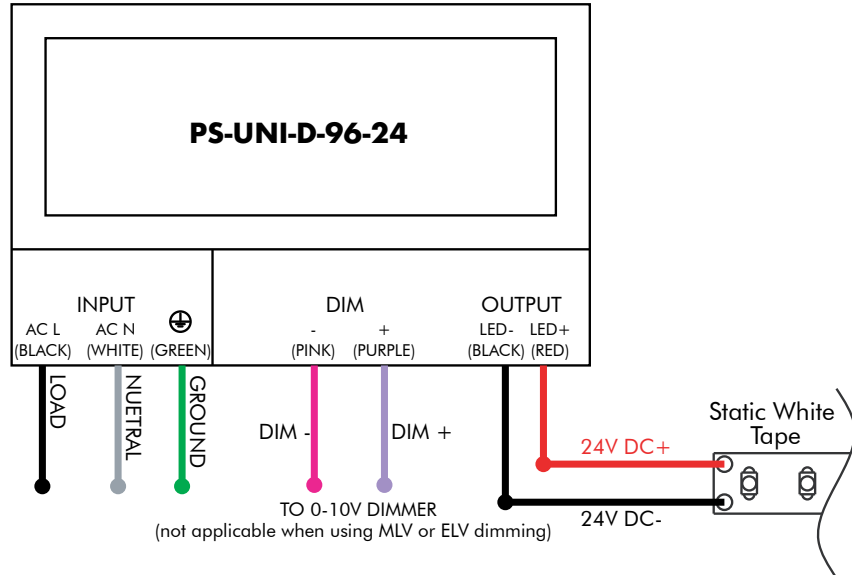
1 / 7

## STATIC WHITE WIRING DIAGRAM

### PS-UNI-x-xx-24

Power Supply, 120-277VAC- 0-10V

NOTE:  
OVER THE WHITE, GREEN, AND BLACK WIRES, CONNECT TO ELV AND MLV DIMMER

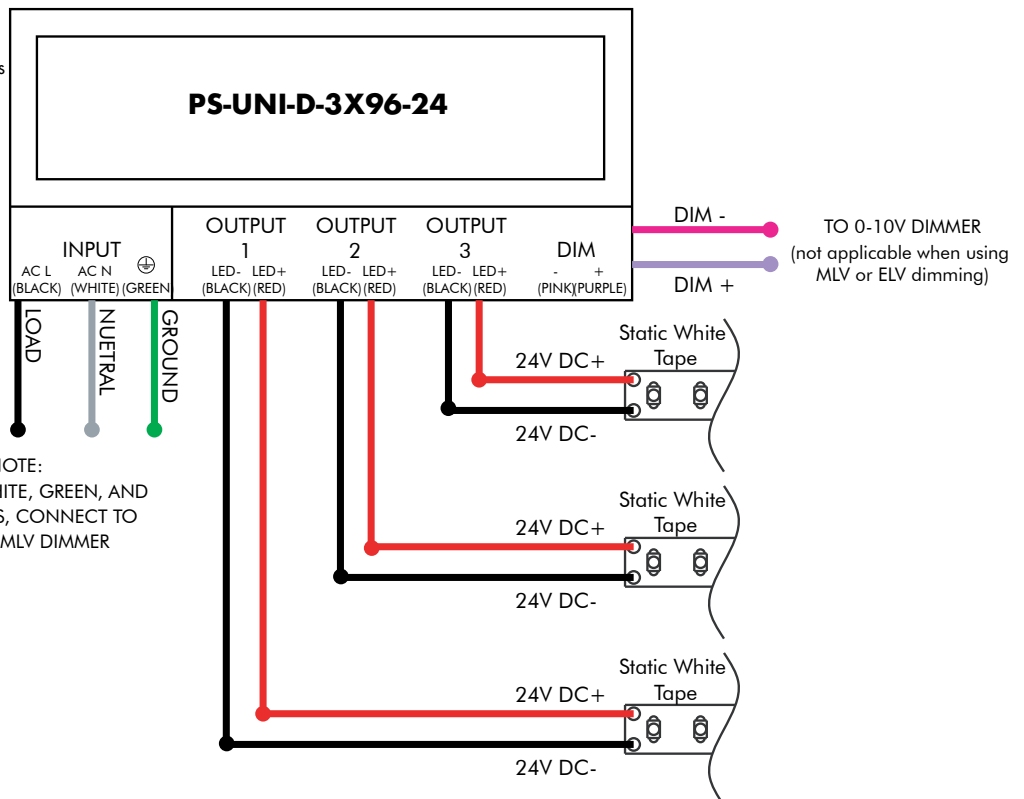


## STATIC WHITE WIRING DIAGRAM

### PS-UNI-x-3x96-24

Power Supply, 120-277VAC- 0-10V 3x96 Watts

NOTE:  
OVER THE WHITE, GREEN, AND BLACK WIRES, CONNECT TO ELV AND MLV DIMMER



# Power Supply Wiring Diagram - Static White

Models: PS-XX

Please read all instructions prior to installation and keep for future reference!

1. PRODUCT TO BE INSTALLED BY A QUALIFIED ELECTRICIAN.

REVO.1  
10062024

2 / 7

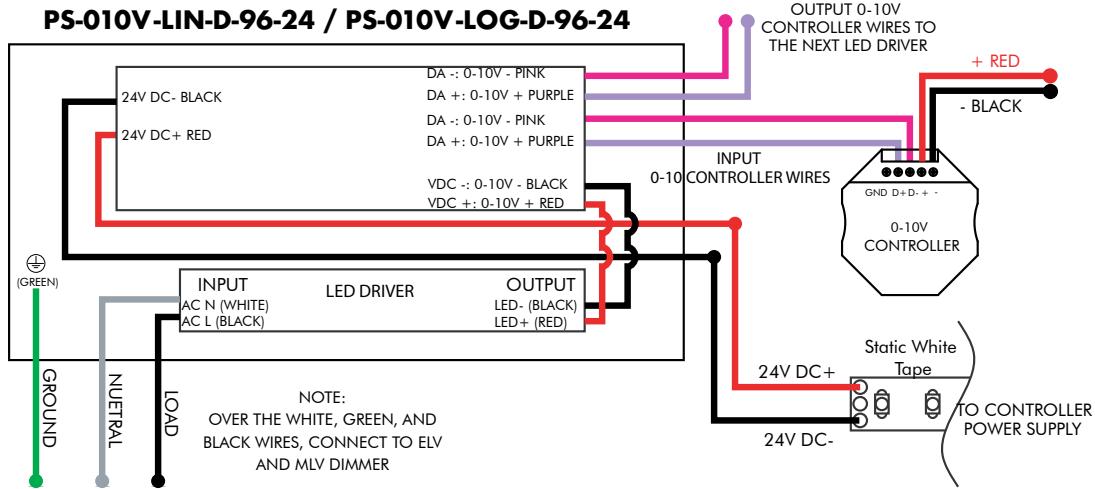


7777 Merrimac Ave  
Niles, IL 60714  
T 224.333.6033  
F 224.757.7557  
info@luminii.com  
www.luminii.com

## STATIC WHITE WIRING DIAGRAM

### PS-010V-LIN/LOG-D-96-24

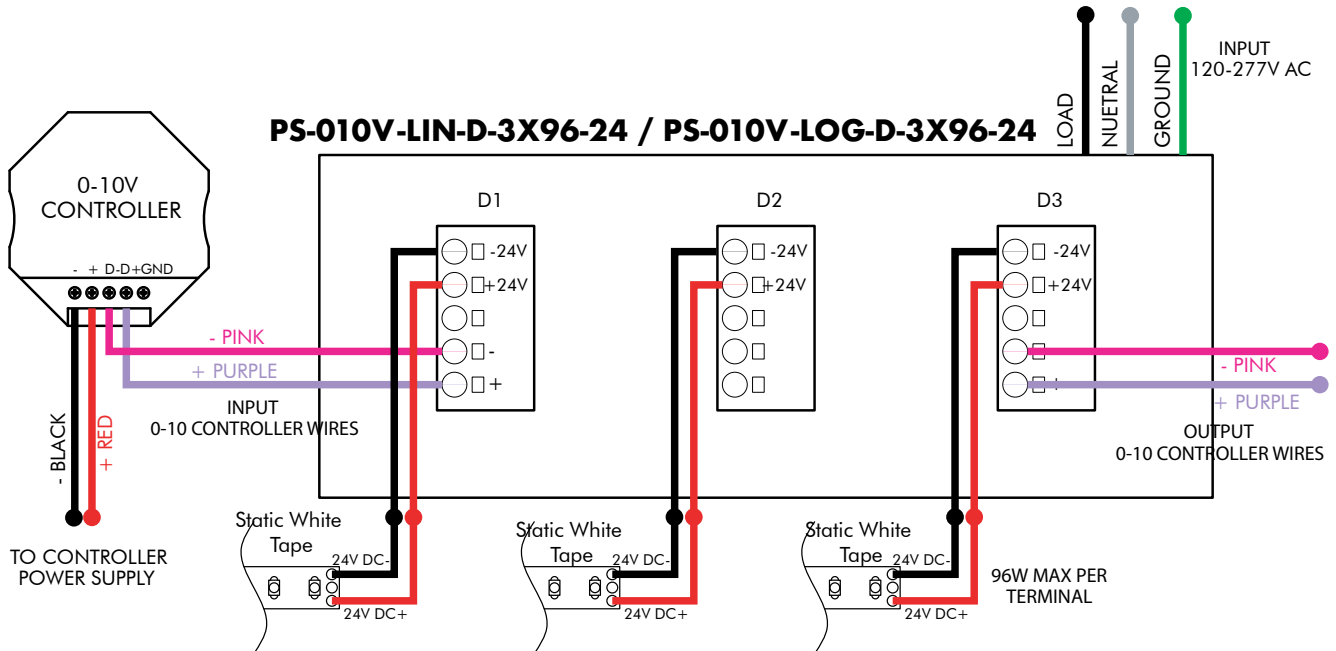
Power Supply, 120-277VAC- 0-10V Dimming (0.1%), Linear/ Logarithmic- Dry- 96 Watts- 24 VDC



## STATIC WHITE WIRING DIAGRAM

### PS-010V-LIN/LOG-D-3X96-24

Power Supply, 120-277VAC- 0-10V Dimming (0.1%), Linear/ Logarithmic- Dry- 3x96 Watts- 24 VDC



# Power Supply Wiring Diagram - Static White

Models: PS-XX

Please read all instructions prior to installation and keep for future reference!

1. PRODUCT TO BE INSTALLED BY A QUALIFIED ELECTRICIAN.



7777 Merrimac Ave  
Niles, IL 60714  
T 224.333.6033  
F 224.757.7557  
info@luminii.com  
www.luminii.com

REVO.1  
10062024

3 / 7

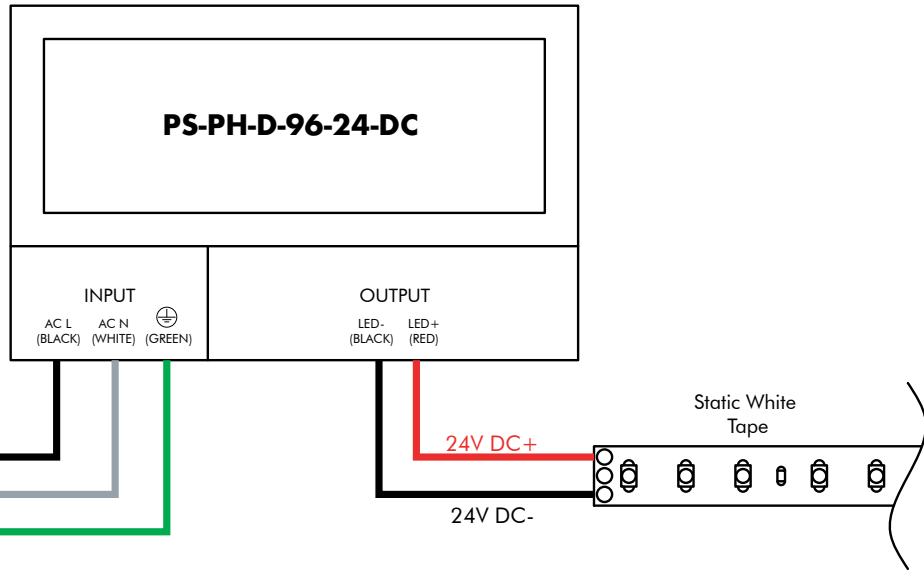
## STATIC WHITE WIRING DIAGRAM

### PS-PH-D-96-24-DC

Power Supply, 120-277VAC- Phase Dimming (Triac, ELV, MLV)- Dry- 96 Watts- 24 VDC- Direct Current

NOTE:  
OVER THE WHITE, GREEN,  
AND BLACK WIRES, CON-  
NECT TO ELV AND MLV  
DIMMER

LOAD  
NEUTRAL  
LOAD



## STATIC WHITE WIRING DIAGRAM

### PS-DMX-D-96-24

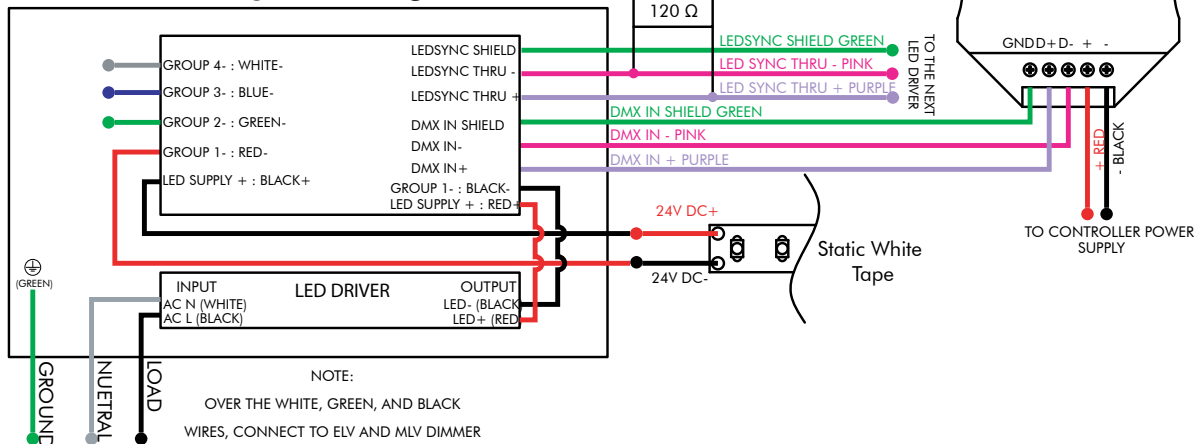
Power Supply, 120-277VAC- DMX (0.1%)- Dry- 96 Watts- 24 VDC

Do not use wire nuts for any DMX connections.

DMX CABLES  
(FOR DMX CABLES, USE BELDEN 9829, 9842 OR CAT5  
SHIELDED TWISTED PAIR CABLING OR EQUIVALENT)

1000ft max distance on DMX run from DMX Controller to last  
decoder when using Belden 9729 cable or approved DMX  
equal Decoder to Controller

### PS-DMX-D-96-24



# Power Supply Wiring Diagram - Static White

Models: PS-XX

Please read all instructions prior to installation and keep for future reference!

1. PRODUCT TO BE INSTALLED BY A QUALIFIED ELECTRICIAN.

REVO.1  
10062024

4 / 7



7777 Merrimac Ave  
Niles, IL 60714  
T 224.333.6033  
F 224.757.7557  
info@luminii.com  
www.luminii.com

## STATIC WHITE WIRING DIAGRAM

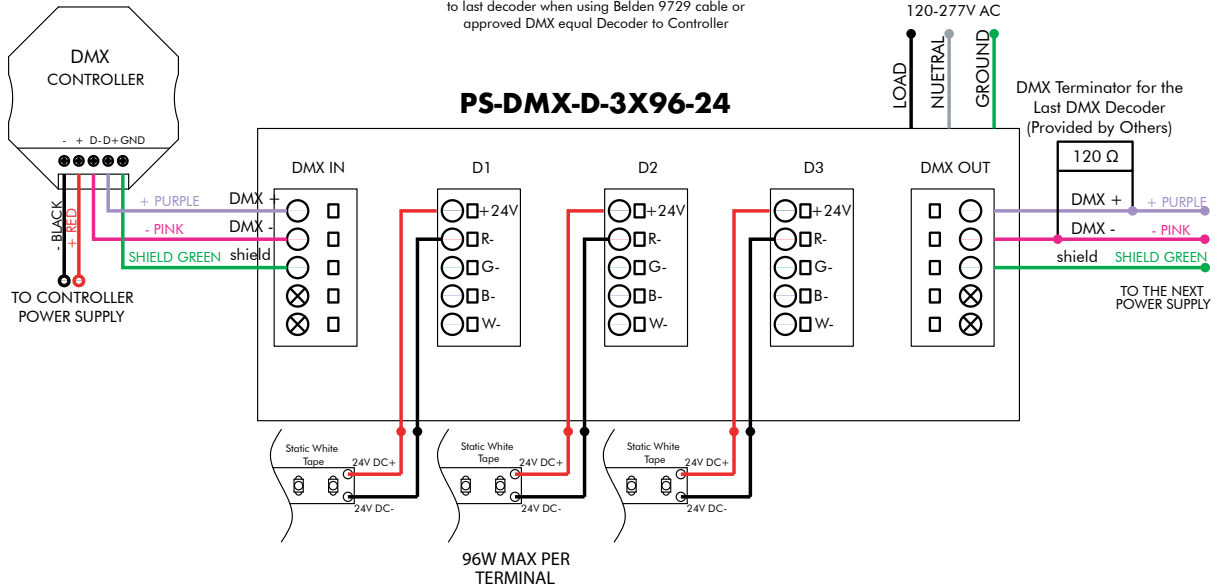
### PS-DMX-D-3X96-24

Power Supply, 120-277VAC- DMX (0.1%)- Dry- 3x96 Watts- 24 VDC

**Do not use wire nuts for any DMX connections.**

DMX CABLES  
(FOR DMX CABLES, USE BELDEN 9829, 9842 OR CAT5 SHIELDED TWISTED PAIR CABLING OR EQUIVALENT)

1000ft max distance on DMX run from DMX Controller to last decoder when using Belden 9729 cable or approved DMX equal Decoder to Controller

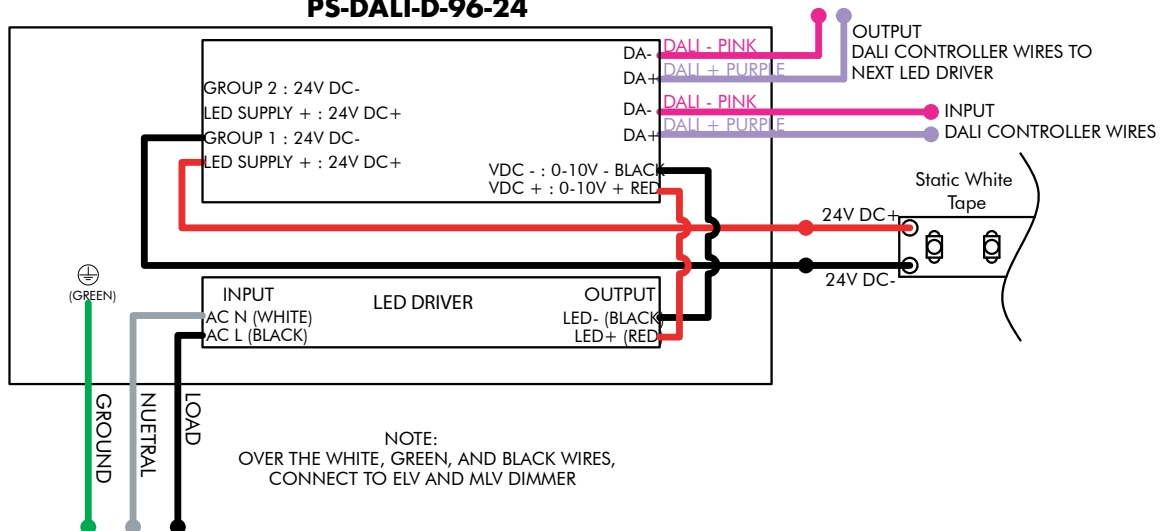


## STATIC WHITE WIRING DIAGRAM

### PS-DALI-D-96-24

Power Supply, 120-277VAC- DALI (0.1%)- Dry- 96 Watts- 24 VDC

### PS-DALI-D-96-24



# Power Supply Wiring Diagram - Static White

Models: PS-XX

Please read all instructions prior to installation and keep for future reference!

1. PRODUCT TO BE INSTALLED BY A QUALIFIED ELECTRICIAN.

REVO.1  
10062024

5 / 7

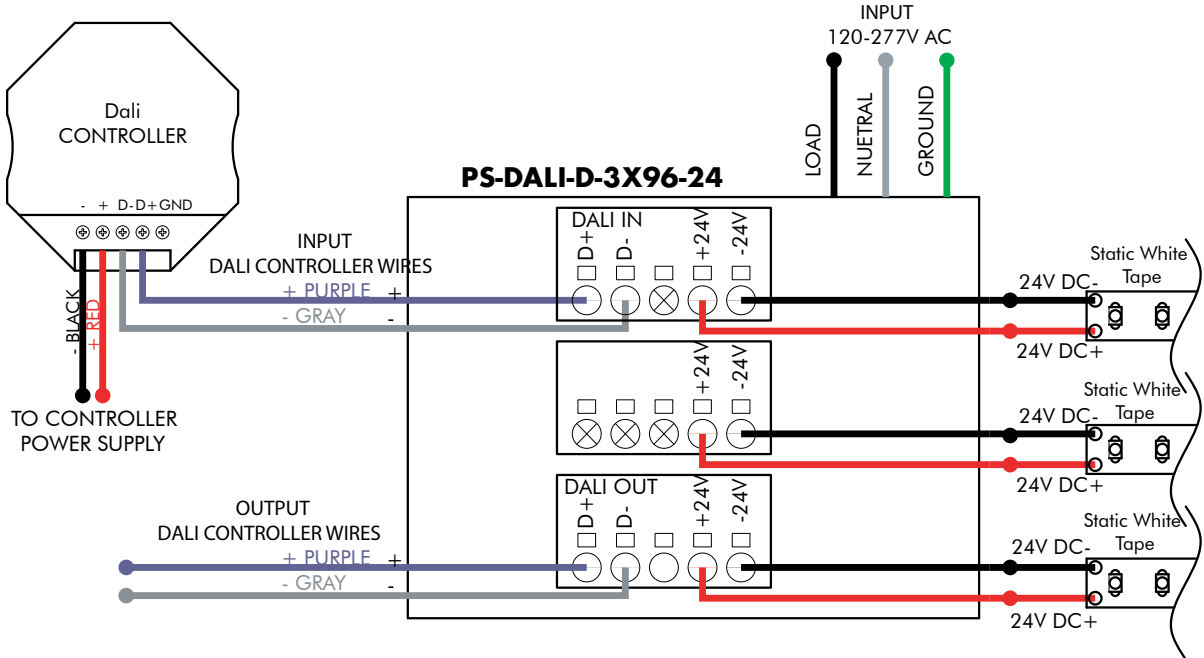


7777 Merrimac Ave  
Niles, IL 60714  
T 224.333.6033  
F 224.757.7557  
info@luminii.com  
www.luminii.com

## STATIC WHITE WIRING DIAGRAM

### PS-DALI-D-3X96-24

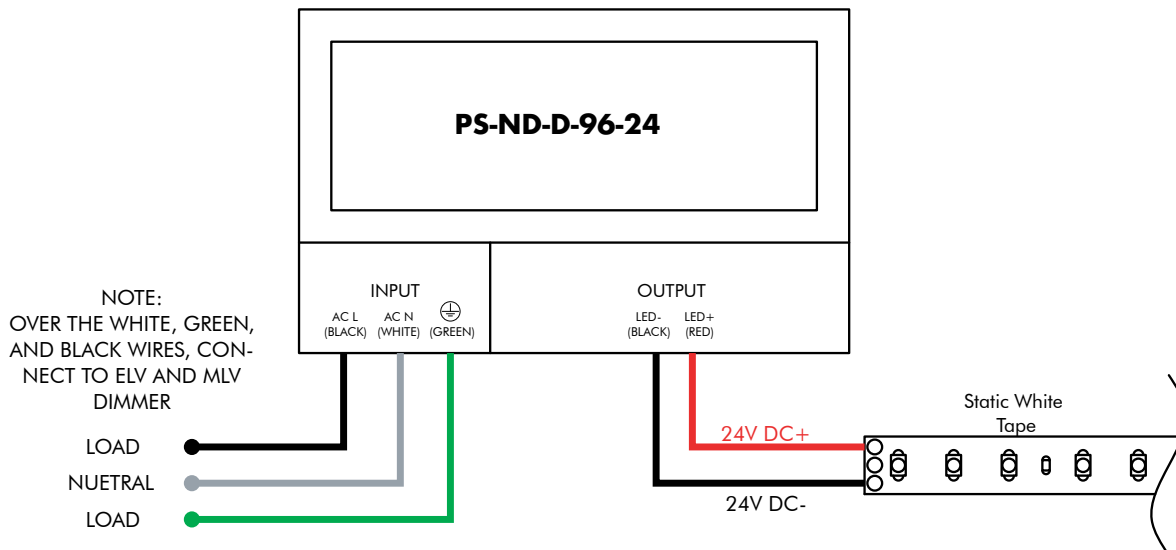
Power Supply, 120-277VAC- DALI (0.1%)- Dry- 3x96 Watts- 24 VDC



## STATIC WHITE WIRING DIAGRAM

### PS-ND-D-96-24

Power Supply, 120-277VAC- Non Dimming, Dry-96 Watts- 24 VDC



# Power Supply Wiring Diagram - Static White

Models: PS-XX

Please read all instructions prior to installation and keep for future reference!

1. PRODUCT TO BE INSTALLED BY A QUALIFIED ELECTRICIAN.

REVO.1  
10062024

6 / 7



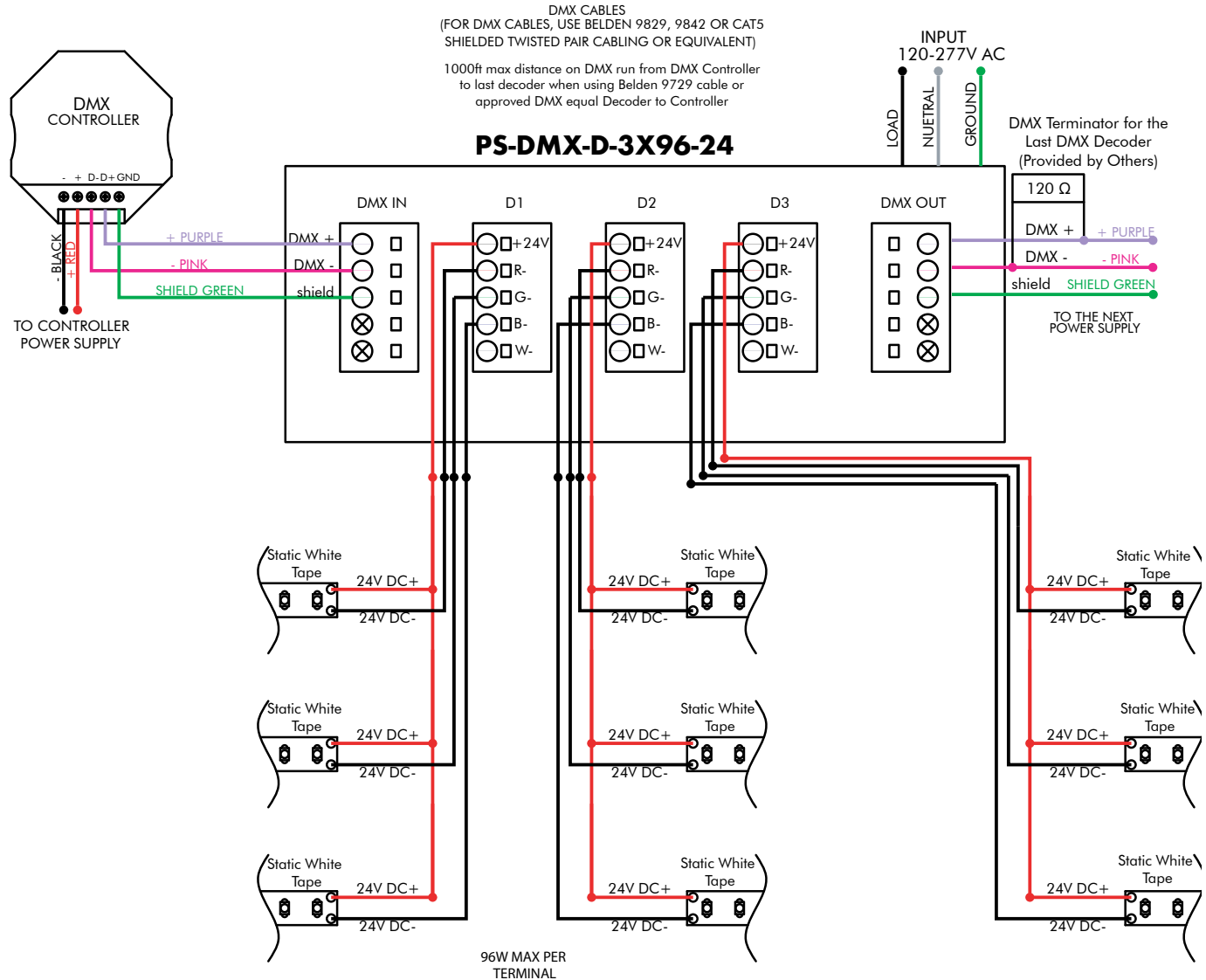
7777 Merrimac Ave  
Niles, IL 60714  
T 224.333.6033  
F 224.757.7557  
info@luminii.com  
www.luminii.com

## STATIC WHITE WIRING DIAGRAM MULTIPLE ON 1 CIR

### PS-DMX-D-3X96-24

Power Supply, 120-277VAC- DMX (0.1%)- Dry- 3x96 Watts- 24 VDC

**Do not use wire nuts for any DMX connections.**



# Power Supply Wiring Diagram - Static White

Models: PS-XX

Please read all instructions prior to installation and keep for future reference!

1. PRODUCT TO BE INSTALLED BY A QUALIFIED ELECTRICIAN.



7777 Merrimac Ave  
Niles, IL 60714  
T 224.333.6033  
F 224.757.7557  
info@luminii.com  
www.luminii.com

REVO.1  
10062024

7 / 7

## STATIC WHITE WIRING DIAGRAM

### PS120-ELV-IG-2X96-24

Power Supply, 120VAC- ELV Dimming, In Ground- 2x96 Watts- 24 VDC

