

NARROW



TECHNICAL DESCRIPTION

Pico Plus S is a Constant Current single source LED spotlight that is machined from aerospace grade aluminium 6063-T6 and comes as standard in white, black and brushed aluminium. It has three site-changeable optics for flexible beam distribution and is fully adjustable with lockable 360° pan and 180° tilt. The narrow beam in our 2.24W 180lm module has a peak intensity of 1566cd.

MECHANICAL & ELECTRICAL

<b>CATEGORY</b> IP20	<b>WATTAGE</b> 2.24W
<b>MATERIAL</b> Machined AL 6063-T6	<b>FORWARD VOLTAGE</b> 3.2V
<b>PAN</b> 360°	<b>SUPPLY TYPE</b> Constant Current
<b>TILT</b> 180°	<b>DRIVER LOCATION</b> Remote
<b>LOCKABLE</b> Pan & Tilt	<b>DIMMING</b> DALI   0-10V   1-10V
<b>WEIGHT</b> 107g   0.24lb	

MOUNTING

**MOUNTING** M12 / Screw Fixing

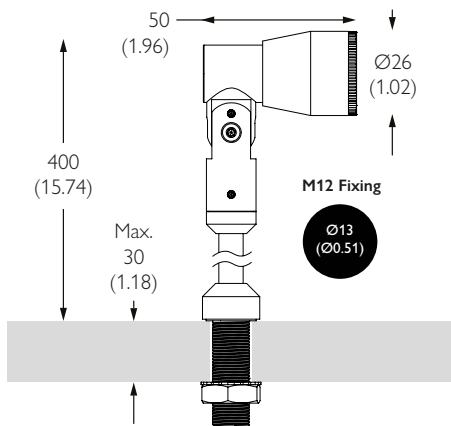
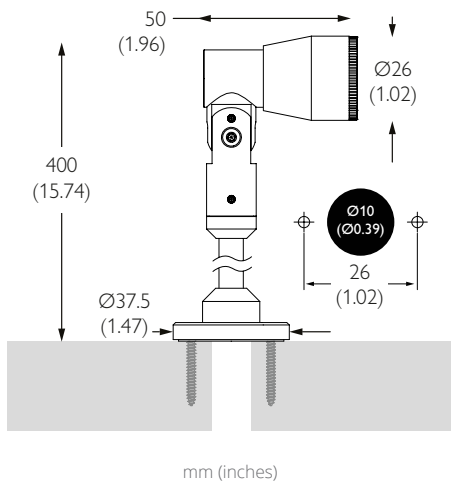
FINISHES

**FINISHES** Brushed Aluminium | Black RAL9005 | White RAL9010

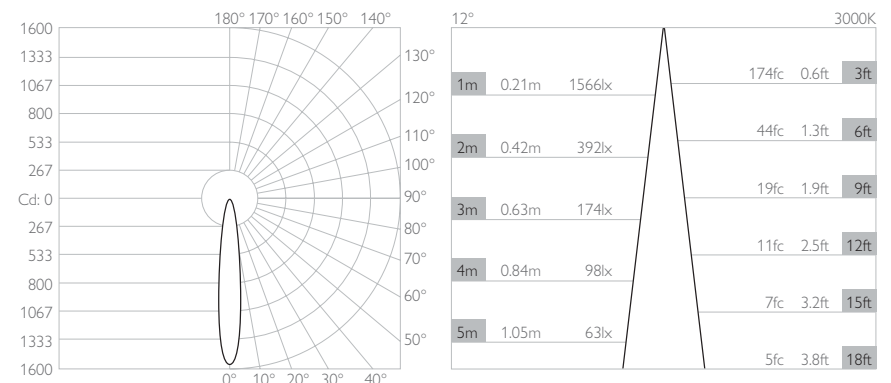
\*Premium & custom finishes are built & finished to order. These are subject to an extended lead time & MOQ.

OPTICAL & STANDARDS

<b>NOMINAL LUMENS</b> 180lm	<b>BEAM ANGLE</b> 12°
<b>DELIVERED LUMENS</b> 164lm	<b>CRI</b> 95 TYP
<b>COLOUR TEMPERATURE</b> 2700K   3000K	<b>TM-30</b> RF: 93 RG: 99
<b>ACCESSORY HOLDER</b> Integral	<b>WARRANTY</b> 5 Years
<b>ACCESSORIES</b> Snoots   Lenses 20mm (0.79")	<b>STANDARDS</b>



Photometry shown is for 3000K module. Please enquire for other CCT photometry. L90 50,000 hours.



LUMINAIRE FINISH

	White 9010	Black 9005	Brushed Aluminium	Rubbed Bronze*	Polished Brass*	Brushed Brass*
Surface Mounting	MPN-799F-WH-XX9512	MPN-799F-BK-XX9512	MPN-799F-AL-XX9512			
M12 Mounting	M12-799F-WH-XX9512	M12-799F-BK-XX9512	M12-799F-AL-XX9512			

\*All premium & custom finishes are built & finished to order. These are subject to an extended lead time & MOQ

For 3000K Substitute XX with 30

For 2700K Substitute XX with 27

MEDIUM



TECHNICAL DESCRIPTION

Pico Plus S is a Constant Current single source LED spotlight that is machined from aerospace grade aluminium 6063-T6 and comes as standard in white, black and brushed aluminium. It has three site-changeable optics for flexible beam distribution and is fully adjustable with lockable 360° pan and 180° tilt. The medium beam in our 2.24W 180lm module has a peak intensity of 470cd.

MECHANICAL & ELECTRICAL

<b>CATEGORY</b> IP20	<b>WATTAGE</b> 2.24W
<b>MATERIAL</b> Machined AL 6063-T6	<b>FORWARD VOLTAGE</b> 3.2V
<b>PAN</b> 360°	<b>SUPPLY TYPE</b> Constant Current
<b>TILT</b> 180°	<b>DRIVER LOCATION</b> Remote
<b>LOCKABLE</b> Pan & Tilt	<b>DIMMING</b> DALI   0-10V   1-10V
<b>WEIGHT</b> 107g   0.24lb	

MOUNTING

**MOUNTING** M12 / Screw Fixing

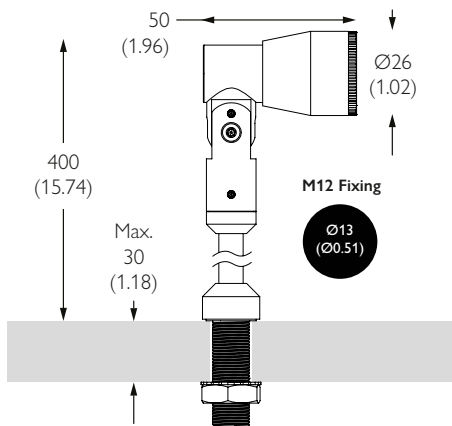
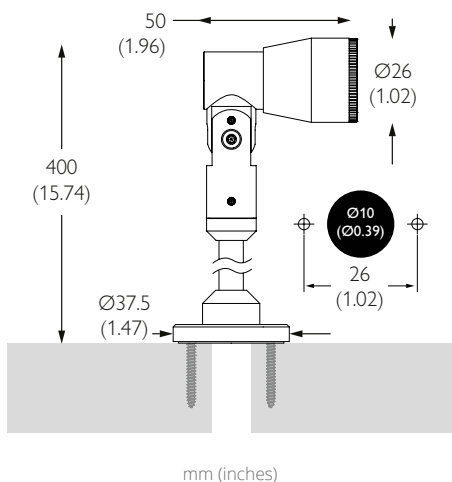
FINISHES

**FINISHES** Brushed Aluminium | Black RAL9005 | White RAL9010

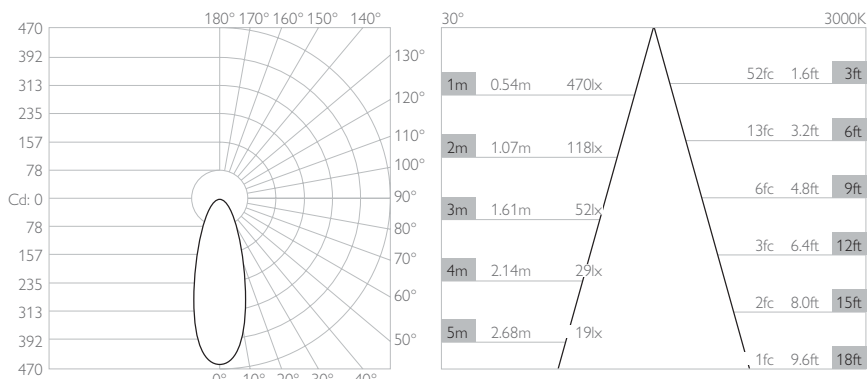
\*Premium & custom finishes are built & finished to order. These are subject to an extended lead time & MOQ.

OPTICAL & STANDARDS

<b>NOMINAL LUMENS</b> 180lm	<b>BEAM ANGLE</b> 30°
<b>DELIVERED LUMENS</b> 150lm	<b>CRI</b> 95 TYP
<b>COLOUR TEMPERATURE</b> 2700K   3000K	<b>TM-30</b> RF: 93 RG: 99
<b>ACCESSORY HOLDER</b> Integral	<b>WARRANTY</b> 5 Years
<b>ACCESSORIES</b> Snoots   Lenses 20mm (0.79")	<b>STANDARDS</b>



Photometry shown is for 3000K module. Please enquire for other CCT photometry. L90 50,000 hours.



LUMINAIRE FINISH

	White 9010	Black 9005	Brushed Aluminium	Rubbed Bronze*	Polished Brass*	Brushed Brass*
Surface Mounting	MPN-799F-WH-XX9530	MPN-799F-BK-XX9530	MPN-799F-AL-XX9530			
M12 Mounting	M12-799F-WH-XX9530	M12-799F-BK-XX9530	M12-799F-AL-XX9530			

\*All premium & custom finishes are built & finished to order. These are subject to an extended lead time & MOQ

For 3000K Substitute XX with 30

For 2700K Substitute XX with 27

FLOOD



TECHNICAL DESCRIPTION

Pico Plus S is a Constant Current single source LED spotlight that is machined from aerospace grade aluminium 6063-T6 and comes as standard in white, black and brushed aluminium. It has three site-changeable optics for flexible beam distribution and is fully adjustable with lockable 360° pan and 180° tilt. The flood beam in our 2.24W 180lm module has a peak intensity of 163cd.

MECHANICAL & ELECTRICAL

<b>CATEGORY</b> IP20	<b>WATTAGE</b> 2.24W
<b>MATERIAL</b> Machined AL 6063-T6	<b>FORWARD VOLTAGE</b> 3.2V
<b>PAN</b> 360°	<b>SUPPLY TYPE</b> Constant Current
<b>TILT</b> 180°	<b>DRIVER LOCATION</b> Remote
<b>LOCKABLE</b> Pan & Tilt	<b>DIMMING</b> DALI   0-10V   1-10V
<b>WEIGHT</b> 107g   0.24lb	

MOUNTING

**MOUNTING** M12 / Screw Fixing

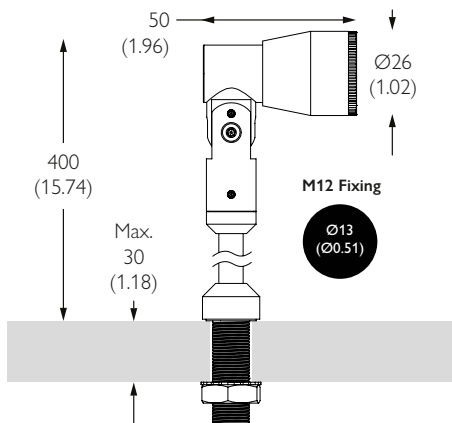
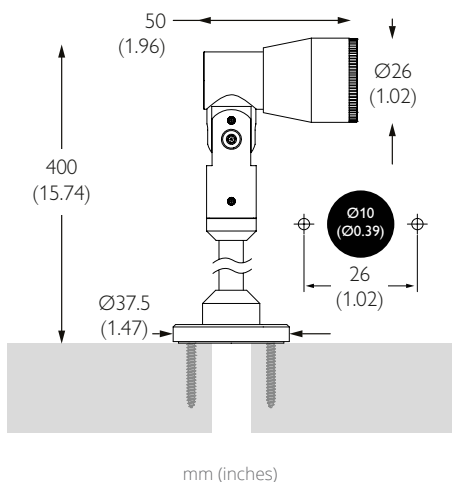
FINISHES

**FINISHES** Brushed Aluminium | Black RAL9005 | White RAL9010

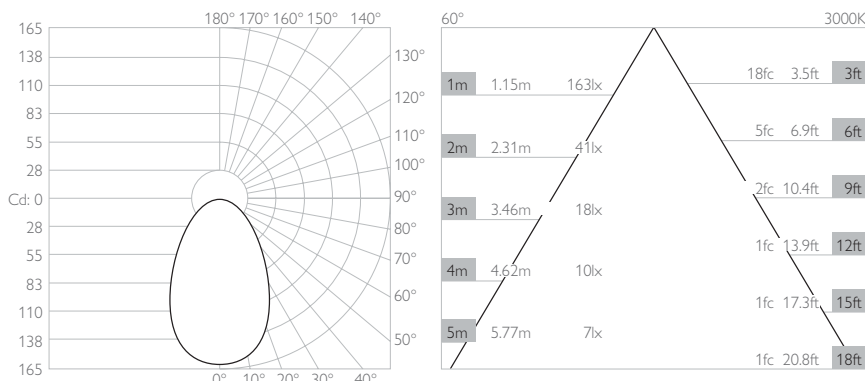
\*Premium & custom finishes are built & finished to order. These are subject to an extended lead time & MOQ.

OPTICAL & STANDARDS

<b>NOMINAL LUMENS</b> 180lm	<b>BEAM ANGLE</b> 60°
<b>DELIVERED LUMENS</b> 163lm	<b>CRI</b> 95 TYP
<b>COLOUR TEMPERATURE</b> 2700K   3000K	<b>TM-30</b> RF: 93 RG: 99
<b>ACCESSORY HOLDER</b> Integral	<b>WARRANTY</b> 5 Years
<b>ACCESSORIES</b> Snoots   Lenses 20mm (0.79")	<b>STANDARDS</b>



Photometry shown is for 3000K module. Please enquire for other CCT photometry. L90 50,000 hours.



LUMINAIRE FINISH

	White 9010	Black 9005	Brushed Aluminium	Rubbed Bronze*	Polished Brass*	Brushed Brass*
Surface Mounting	MPN-799F-WH-XX9560	MPN-799F-BK-XX9560	MPN-799F-AL-XX9560			
M12 Mounting	M12-799F-WH-XX9560	M12-799F-BK-XX9560	M12-799F-AL-XX9560			

\*All premium & custom finishes are built & finished to order. These are subject to an extended lead time & MOQ

For 3000K Substitute XX with 30

For 2700K Substitute XX with 27

DRIVER COMPATIBILITY

20W | DIMMING: DALI OR 0-10V

NO. OF LIGHTS PER DRIVER 1 to 8 in series  
 MIN DIM LEVEL 0.1%  
 VOLTAGE REGION 230V  
 FOR NORTH AMERICA No  
 WATTAGE 20W  
 SUPPLY TYPE Constant Current  
 DRIVER LOCATION Remote  
 MANUFACTURER Eldoled



DALI CODE PSCC-20-700-D-EL  
 0-10V CODE PSCC-20-700-A-EL

LENGTH 160mm (6.30") WIDTH 41mm (1.63") HEIGHT 30mm (1.18")



30W | DIMMING: DALI OR 0-10V

NO. OF LIGHTS PER DRIVER 1 to 12 in series  
 MIN DIM LEVEL 0.1%  
 VOLTAGE REGION 120V  
 FOR NORTH AMERICA Yes  
 WATTAGE 30W  
 SUPPLY TYPE Constant Current  
 DRIVER LOCATION Remote  
 MANUFACTURER Eldoled



DALI CODE USCC-30-700-D-EL-ENC  
 0-10V CODE USCC-30-700-A-EL-ENC

LENGTH 348mm (13.7") WIDTH 65mm (2.6") HEIGHT 47mm (1.9")



12W | DIMMING: PHASE

NO. OF LIGHTS PER DRIVER 2 to 5 in series  
 MIN DIM LEVEL 1%  
 VOLTAGE REGION 120V  
 FOR NORTH AMERICA Yes  
 WATTAGE 12W  
 SUPPLY TYPE Constant Current  
 DRIVER LOCATION Remote  
 MANUFACTURER Hatch



PHASE CODE USCC-12-700-P-HT-ENC

LENGTH 247mm (9.7") WIDTH 65mm (2.6") HEIGHT 47mm (1.9")

