



Features

- DALI-2 Type 8, DT8
- Class 2
- Features EldoLED's LINEARdrive
- Suitable For Damp Location
- 5 Year warranty



PLENUM FOR SUCH USE IN ACCORDANCE WITH UL2043

Features

Input voltage

120-277V AC, 1.1A, 50/60Hz

Output signal

24 VDC, 4.0 A

Maximum wattage

96 watt circuits

Dimming curve

Linear, 100% - 0% (HydraDrive)

Ambient Operating Temperature

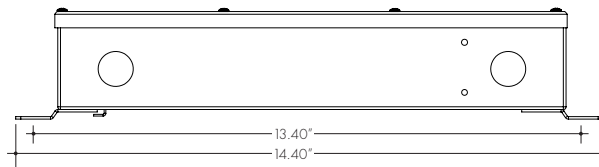
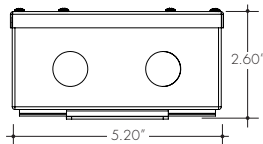
-20°C - 35°C

Weight

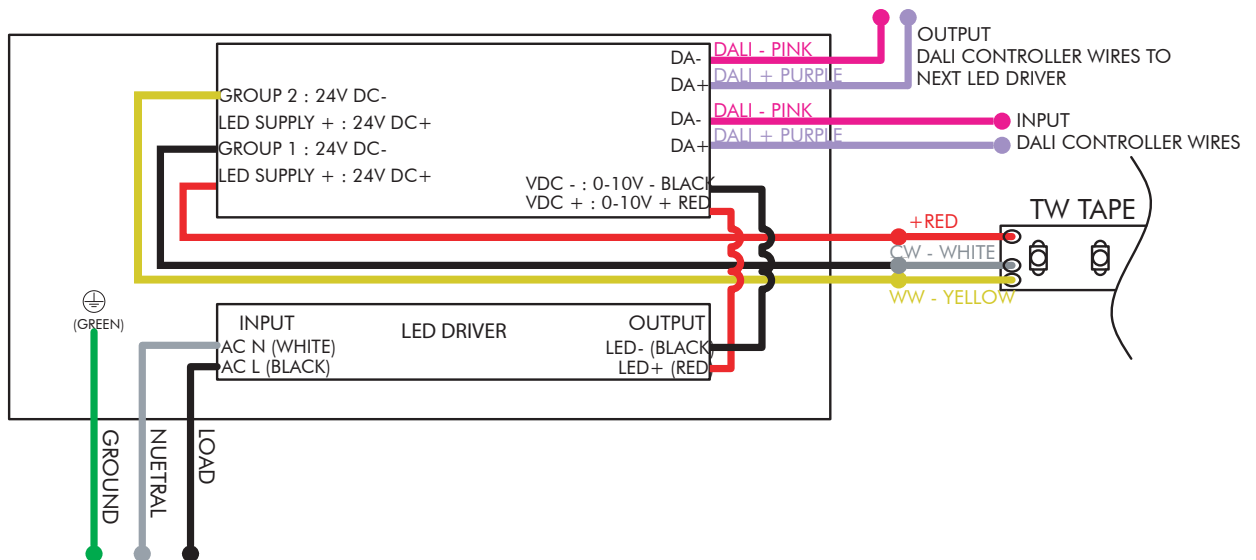
13 lbs

Mounting

Surface mounted with conduit access



Wiring Diagram



Ordering Code

