



Features

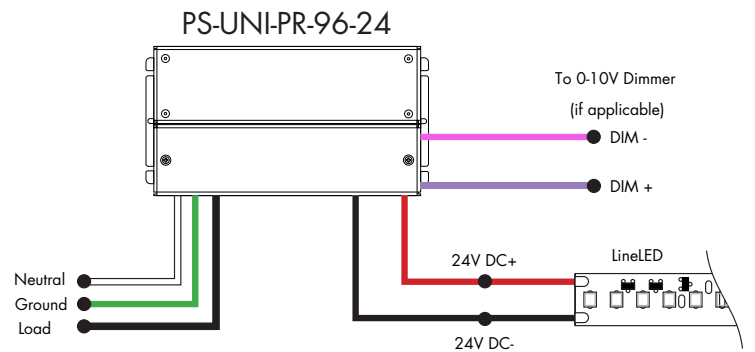
- PS-UNI-PR is Pool & Spa rated per UL379
- Constant voltage output
- Input Voltage, 120VAC
- Compatible with Triac, MLV, ELV, 0-10V, & PWM Dimmers
- Built-in active PFC function
- Flickerfree dimming
- Cooling by free air convection
- Full protection metal case
- Auto reset breakers, from short circuit, overloading, & over temperature
- 5 year Warranty



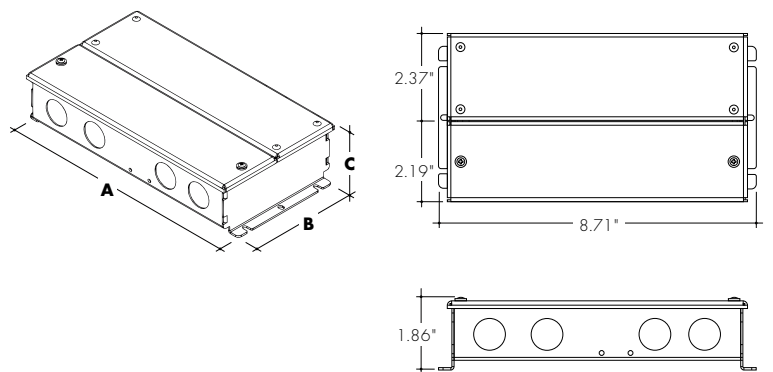
Technical Information

MODEL		PS-UNI-PR-96-24
ELECTRICAL	Voltage/Frequency	120V AC @ 50/60Hz
	Inrush Current	33.6A, Peak, 750µs @ 120V
	Power Factor	0.98 @ 120V AC
	Efficiency	83% @ 120V
	Max Input Current	1.3A @ 100V AC
	Max Output Power	96W
	Max Output Current	4.0A
	Output Voltage	24V DC
Protection	Short Circuit	Shut down o/p voltage, re-power on to recover after fault condition is removed
	Over Loading	≤120% constant current limiting, auto-recovery
	Over Temperature	100°C±10°C shut down o/p voltage, automatically recover after cooling
DIMENSIONS	Length A	8.71"
	Width B	4.56"
	Height C	1.86"
Net. Weight		3.5 lb
Operating Temperature		-40° – 140°F

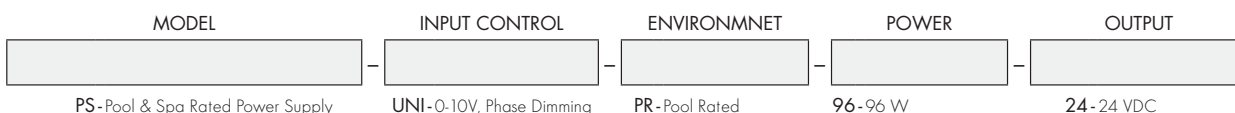
General Wiring Diagram



Dimensions



Ordering Code



0-10V - 1% dimming
MLV/ELV/TRIAC - 1% dimming, consult dimming compatibility chart

Compatibility:
View a complete list of compatible dimmers on product page [\[Link\]](#)