

Read and follow these instructions before installing or maintaining this product

- This product is suitable for **DRY INDOOR LOCATIONS ONLY**
- Make sure this product is **NOT** on the same circuit as inductive loads, (e.g. fluorescent bulbs, discharge bulbs, ventilation fans, etc...)
- Allow air to flow freely around the fixture
- Do not switch on line voltage until all wiring is complete
- Incorrect wiring will result in irreparable damage to LED and power supply
- This product should only be installed by a licensed electrician

Veillez lire et suivre ces instructions avant l'installation ou l'entretien de ce produit

- Ce produit convient pour une installation **DANS UN ENDROIT SEC SEULEMENT**
- Assurer vous que des charges inductives ne se retrouvent pas sur le même circuit que ce produit, (i.e. fluorescent, ampoules à décharge, ventilateurs, etc...)
- Permettre à l'air de circuler librement autour du luminaire
- Compléter les branchements avant de mettre sous tension
- Un branchement incorrect créerait des dommages irréparables à l'alimentation et au DEL
- Ce produit devrait être uniquement installé par un électricien qualifié



Warranty

- This product must be installed in accordance with all applicable installation codes and ordinance
- Limited five (5) years warranty
- Warranty is void in the eventuality of unauthorized modifications and/or improper use

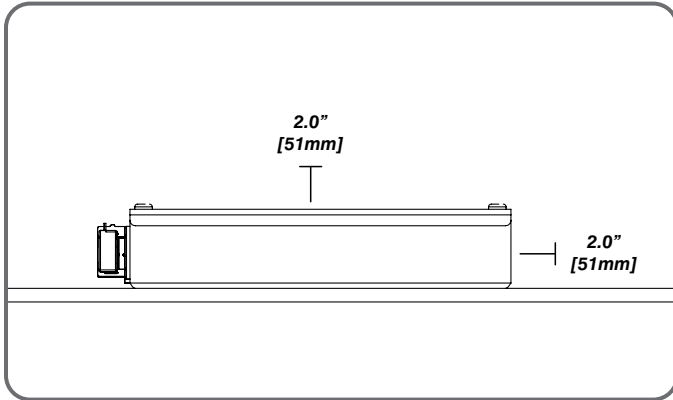
Garantie

- Ce produit doit être installé conformément au code d'installation et autres normes applicables
- Garantie limitée de cinq (5) ans
- La garantie est non valide advenant une modification non autorisée ou un usage non approprié

Drivers and Wiring



On-site installer to provide wire for connection between driver and fixture.



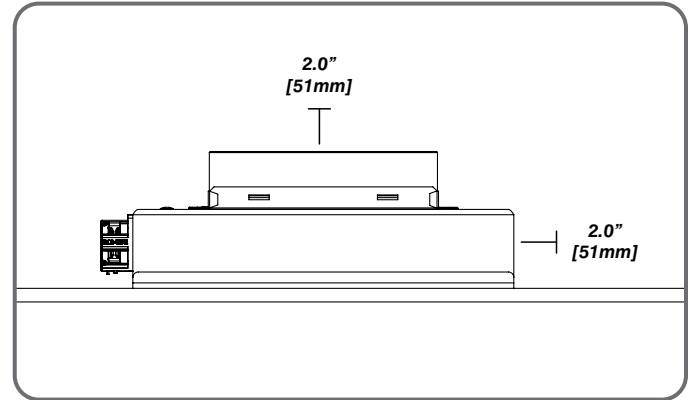
Non-Dimming Driver: 902-35010 (10W)

Constant Current

1-7 Fixtures per driver wired in series.

Remote Driver can be mounted Horizontally or Vertically.

Minimum clearance of **2" (51mm)** around the driver is required for proper air circulation.



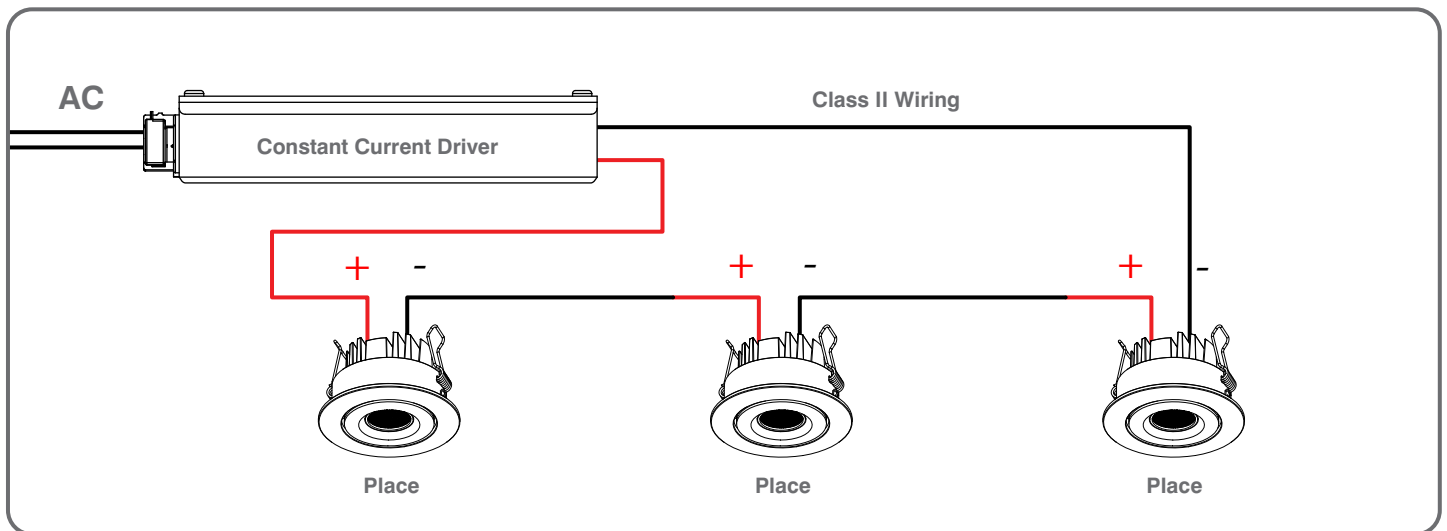
Dimming Driver: 902-35025 (25W)

Constant Current

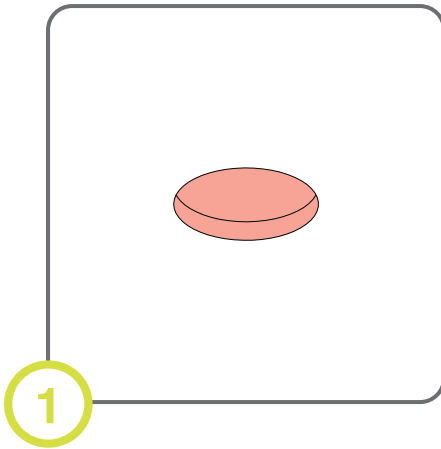
3-17 Fixtures per driver wired in series.

Remote Driver can be mounted Horizontally or Vertically.

Minimum clearance of **2" (51mm)** around the driver is required for proper air circulation.

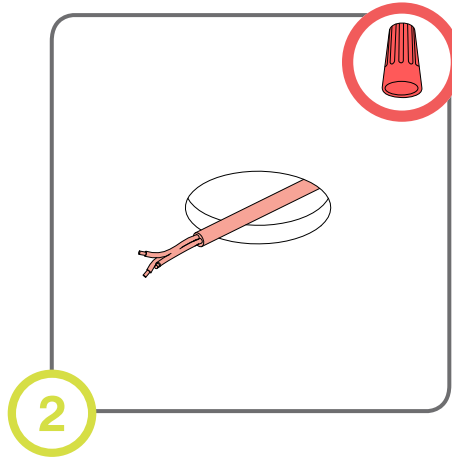


PLACE



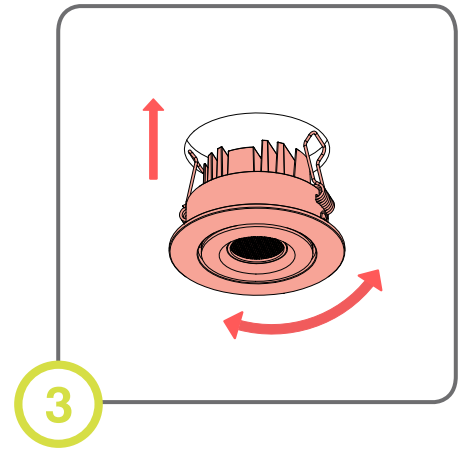
1

Cut hole to correct size and in all desired locations.



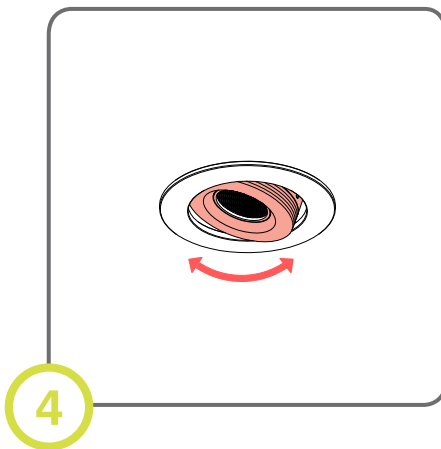
2

Finish surface and ensure wiring reaches all locations. Pull wire through hole and make electrical connections.



3

Raise springs up so they clear the hole. Rotate fixture to desired orientation. Push it into hole until springs release and fixture is flush with ceiling.



4

Push fixture to fine tune angle.



Do not scale this when printing this template.
Ne l'augmentez pas lorsque vous imprimez ce modèle.

