

Features

The PLA Channel is a linear aluminum extrusion that has been designed to fit many LED lighting needs and specifically high output applications. Substantial aluminum mass in profile provides excellent heat sink and physical protection for high power LEDs. The wide profile design can accommodate up to two rows of LED strips making the PLA linear aluminum extrusion ideal for bright general lighting applications. Extrusion and lens are field-cuttable. End caps & joiners sold separately.

Finish

Silver anodized

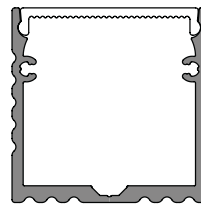
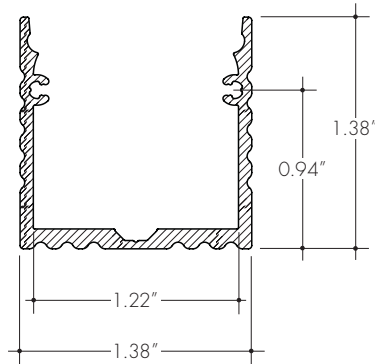
Diffuser Lens

Polycarbonate, snap-in-place, UV resistant

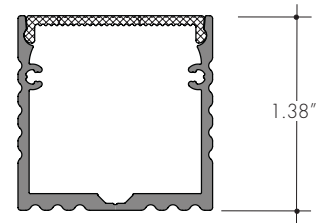
Mounting

Screw fasteners

Product Dimensions



PLA with Clear lens



PLA with Frosted lens

	Lens Options
Actual Length	-39.40" -78.75" -118.19"
Available Lenses	- Clear - Frosted

Ordering code

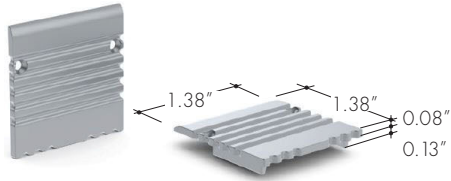
MODEL	LENGTH	LENS	FINISH
PLA - PLA Channel	39 - 39" 78 - 78" 118 - 118" ¹	C - Clear F - Frosted	SA - Silver Anodized

1 - For Channels and lenses over 90", incremental shipping charges will apply.

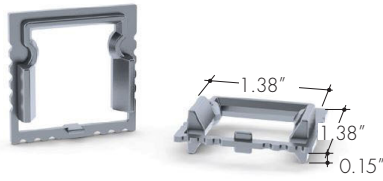
Accessories

All accessories sold separately.

EC-PLA-SA
End Cap



LC-PLA-SA
Joiner



90LC-PLA-SA
90° joiner

