

NARROW



TECHNICAL DESCRIPTION

Minimo 1 Fixed Circular Deep Recess is a Constant Current single source LED recessed spotlight that is machined from aerospace grade aluminium 6063-T6 and comes as standard in white, black and brushed aluminium. It has three site-changeable optics for flexible beam distribution. The narrow beam in our 2.24W 180lm module has a peak intensity of 1566cd.

MECHANICAL & ELECTRICAL

CATEGORY IP20

MATERIAL Machined AL 6063-T6 | Machined Brass

PAN N/A

TILT N/A

LOCKABLE N/A

WEIGHT 53g | 0.12lb

WATTAGE 2.24W

FORWARD VOLTAGE 3.2V

DRIVE CURRENT 700mA

SUPPLY TYPE Constant Current

DRIVER LOCATION Remote

DIMMING DALI | 0-10V | 1-10V

MOUNTING

MOUNTING Recessed

CEILING THICKNESS 3-25mm (0.12-0.98")

CUTOUT ø33mm (1.30")

MIN CEILING VOID 20mm (0.79") clearance above

FINISHES

FINISHES Brushed Aluminium | Black RAL9005 | White RAL9010

*Premium & custom finishes are built & finished to order. These are subject to an extended lead time & MOQ.

OPTICAL & STANDARDS

NOMINAL LUMENS 180lm

DELIVERED LUMENS 164lm

COLOUR TEMPERATURE 2700K | 3000K

ACCESSORY HOLDER N/A

ACCESSORIES N/A

BEAM ANGLE 12°

CRI 95 TYP

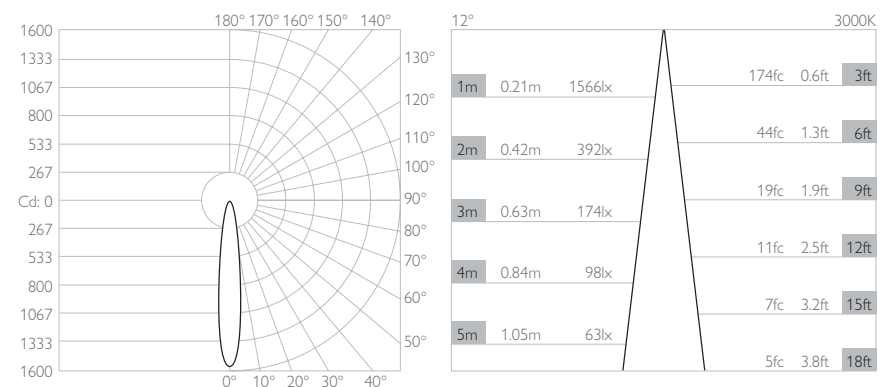
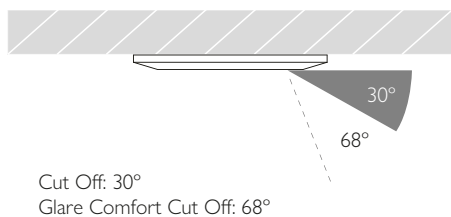
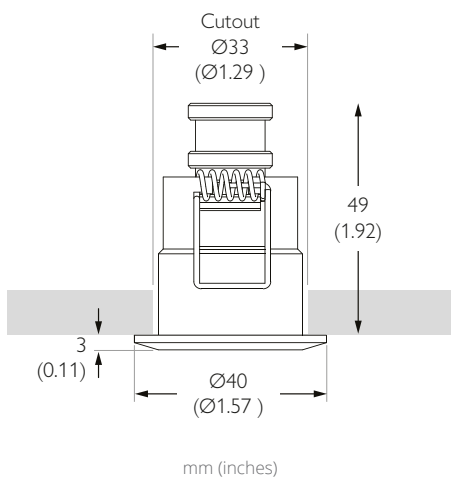
TM-30 RF: 93 RG: 99

WARRANTY 5 Years

STANDARDS



Photometry shown is for 3000K module. Please enquire for other CCT photometry. L90 50,000 hours.



LUMINAIRE FINISH

White 9010	Black 9005	Brushed Aluminium	Rubbed Bronze*	Polished Brass*	Brushed Brass*
RC-602-WH-XX9512	RC-602-BK-XX9512	RC-602-AL-XX9512	RC-602-RB-XX9512		

*All premium & custom finishes are built & finished to order. These are subject to an extended lead time & MOQ

For 3000K Substitute XX with 30

For 2700K Substitute XX with 27

MEDIUM



TECHNICAL DESCRIPTION

Minimo 1 Fixed Circular Deep Recess is a Constant Current single source LED recessed spotlight that is machined from aerospace grade aluminium 6063-T6 and comes as standard in white, black and brushed aluminium. It has three site-changeable optics for flexible beam distribution. The medium beam in our 2.24W 180lm module has a peak intensity of 470cd.

MECHANICAL & ELECTRICAL

CATEGORY IP20	WATTAGE 2.24W
MATERIAL Machined AL 6063-T6 Machined Brass	FORWARD VOLTAGE 3.2V
PAN N/A	DRIVE CURRENT 700mA
TILT N/A	SUPPLY TYPE Constant Current
LOCKABLE N/A	DRIVER LOCATION Remote
WEIGHT 53g 0.12lb	DIMMING DALI 0-10V 1-10V

MOUNTING

MOUNTING Recessed	CUTOUT ø33mm (1.30")
CEILING THICKNESS 3-25mm (0.12-0.98")	MIN CEILING VOID 20mm (0.79") clearance above

FINISHES

FINISHES Brushed Aluminium | Black RAL9005 | White RAL9010

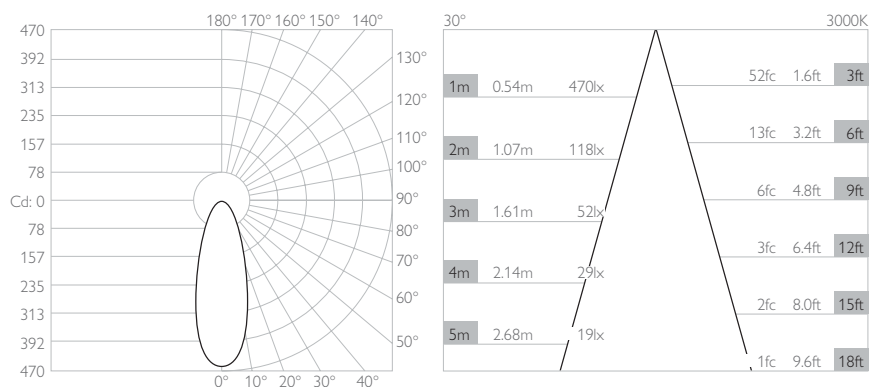
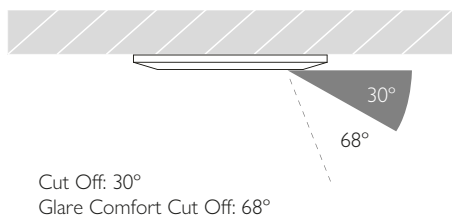
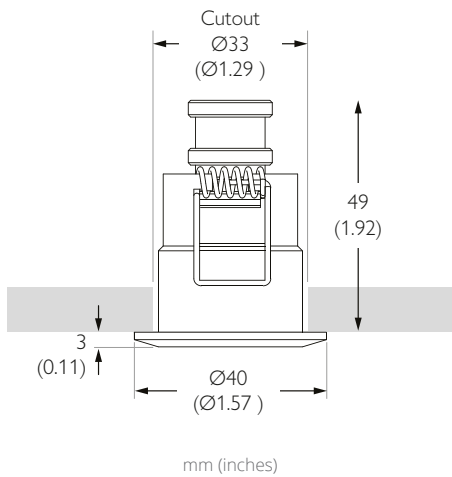
*Premium & custom finishes are built & finished to order. These are subject to an extended lead time & MOQ.

OPTICAL & STANDARDS

NOMINAL LUMENS 180lm	BEAM ANGLE 30°
DELIVERED LUMENS 150lm	CRI 95 TYP
COLOUR TEMPERATURE 2700K 3000K	TM-30 RF: 93 RG: 99
ACCESSORY HOLDER N/A	WARRANTY 5 Years
ACCESSORIES N/A	STANDARDS



Photometry shown is for 3000K module. Please enquire for other CCT photometry. L90 50,000 hours.



LUMINAIRE FINISH

White 9010	Black 9005	Brushed Aluminium	Rubbed Bronze*	Polished Brass*	Brushed Brass*
RC-602-WH-XX9530	RC-602-BK-XX9530	RC-602-AL-XX9530	RC-602-RB-XX9530		

*All premium & custom finishes are built & finished to order. These are subject to an extended lead time & MOQ

For 3000K Substitute XX with 30 | For 2700K Substitute XX with 27

FLOOD



TECHNICAL DESCRIPTION

Minimo 1 Fixed Circular Deep Recess is a Constant Current single source LED recessed spotlight that is machined from aerospace grade aluminium 6063-T6 and comes as standard in white, black and brushed aluminium. It has three site-changeable optics for flexible beam distribution. The flood beam in our 2.24W 180lm module has a peak intensity of 163cd.

MECHANICAL & ELECTRICAL

CATEGORY IP20	WATTAGE 2.24W
MATERIAL Machined AL 6063-T6 Machined Brass	FORWARD VOLTAGE 3.2V
PAN N/A	DRIVE CURRENT 700mA
TILT N/A	SUPPLY TYPE Constant Current
LOCKABLE N/A	DRIVER LOCATION Remote
WEIGHT 53g 0.12lb	DIMMING DALI 0-10V 1-10V

MOUNTING

MOUNTING Recessed	CUTOUT ø33mm (1.30")
CEILING THICKNESS 3-25mm (0.12-0.98")	MIN CEILING VOID 20mm (0.79") clearance above

FINISHES

FINISHES Brushed Aluminium | Black RAL9005 | White RAL9010

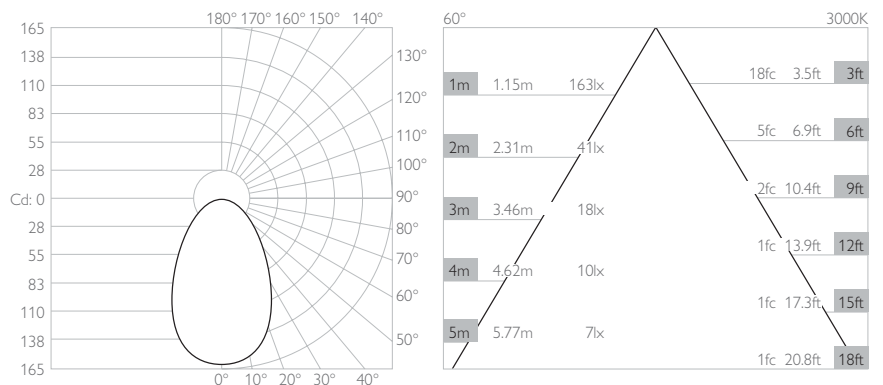
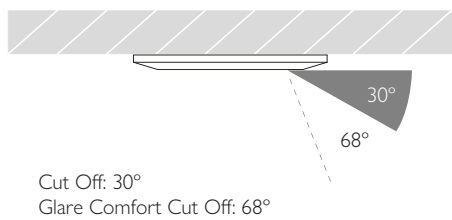
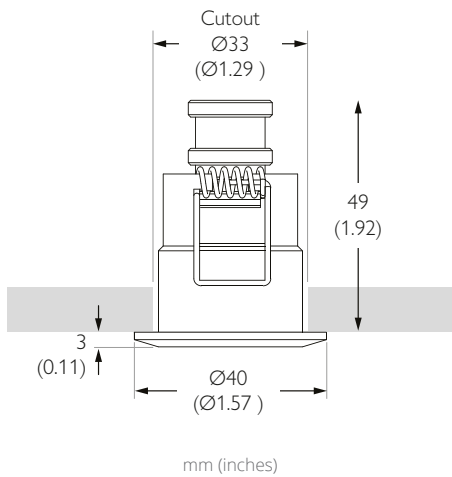
*Premium & custom finishes are built & finished to order. These are subject to an extended lead time & MOQ.

OPTICAL & STANDARDS

NOMINAL LUMENS 180lm	BEAM ANGLE 60°
DELIVERED LUMENS 163lm	CRI 95 TYP
COLOUR TEMPERATURE 2700K 3000K	TM-30 RF: 93 RG: 99
ACCESSORY HOLDER N/A	WARRANTY 5 Years
ACCESSORIES N/A	STANDARDS



Photometry shown is for 3000K module. Please enquire for other CCT photometry. L90 50,000 hours.



LUMINAIRE FINISH

White 9010	Black 9005	Brushed Aluminium	Rubbed Bronze*	Polished Brass*	Brushed Brass*
RC-602-WH-XX9560	RC-602-BK-XX9560	RC-602-AL-XX9560	RC-602-RB-XX9560		

*All premium & custom finishes are built & finished to order. These are subject to an extended lead time & MOQ

For 3000K Substitute XX with 30

For 2700K Substitute XX with 27

MINIMO 1

DRIVER COMPATIBILITY

20W | DIMMING: DALI OR 0-10V

NO. OF LIGHTS PER DRIVER 1 to 8 in series
MIN DIM LEVEL 0.1%
VOLTAGE REGION 230V
FOR NORTH AMERICA No
WATTAGE 20W
SUPPLY TYPE Constant Current
DRIVER LOCATION Remote
MANUFACTURER Eldoled



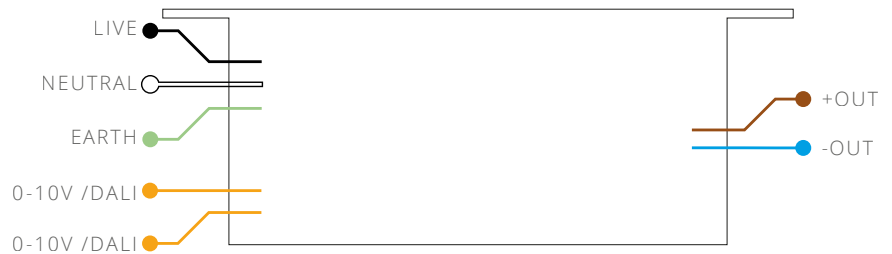
DALI CODE PSCC-20-700-D-EL
0-10V CODE PSCC-20-700-A-EL

LENGTH 160mm (6.30") **WIDTH** 41mm (1.63") **HEIGHT** 30mm (1.18")



30W | DIMMING: DALI OR 0-10V

NO. OF LIGHTS PER DRIVER 1 to 12 in series
MIN DIM LEVEL 0.1%
VOLTAGE REGION 120V
FOR NORTH AMERICA Yes
WATTAGE 30W
SUPPLY TYPE Constant Current
DRIVER LOCATION Remote
MANUFACTURER Eldoled



DALI CODE USCC-30-700-D-EL-ENC
0-10V CODE USCC-30-700-A-EL-ENC

LENGTH 348mm (13.7") **WIDTH** 65mm (2.6") **HEIGHT** 47mm (1.9")



12W | DIMMING: PHASE

NO. OF LIGHTS PER DRIVER 2 to 5 in series
MIN DIM LEVEL 1%
VOLTAGE REGION 120V
FOR NORTH AMERICA Yes
WATTAGE 12W
SUPPLY TYPE Constant Current
DRIVER LOCATION Remote
MANUFACTURER Hatch



PHASE CODE USCC-12-700-P-HT-ENC

LENGTH 247mm (9.7") **WIDTH** 65mm (2.6") **HEIGHT** 47mm (1.9")

