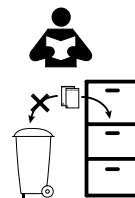


ST2-E ST6-E

MULTISYSTEM evo



rev. 1



1 - 9500-.../...-ST2-E

CODE	L mm [ft]	
9500-1/...-ST2-E	1000 [3.28]	
9500-2/...-ST2-E	2000 [6.56]	
9500-3/...-ST2-E	3000 [9.84]	

1b - 9500.../...ST6-E

CODE	L mm [ft]	
9500-1/...-ST6-E	1000 [3.28]	
9500-2/...-ST6-E	2000 [6.56]	
9500-3/...-ST6-E	3000 [9.84]	

2 - USE

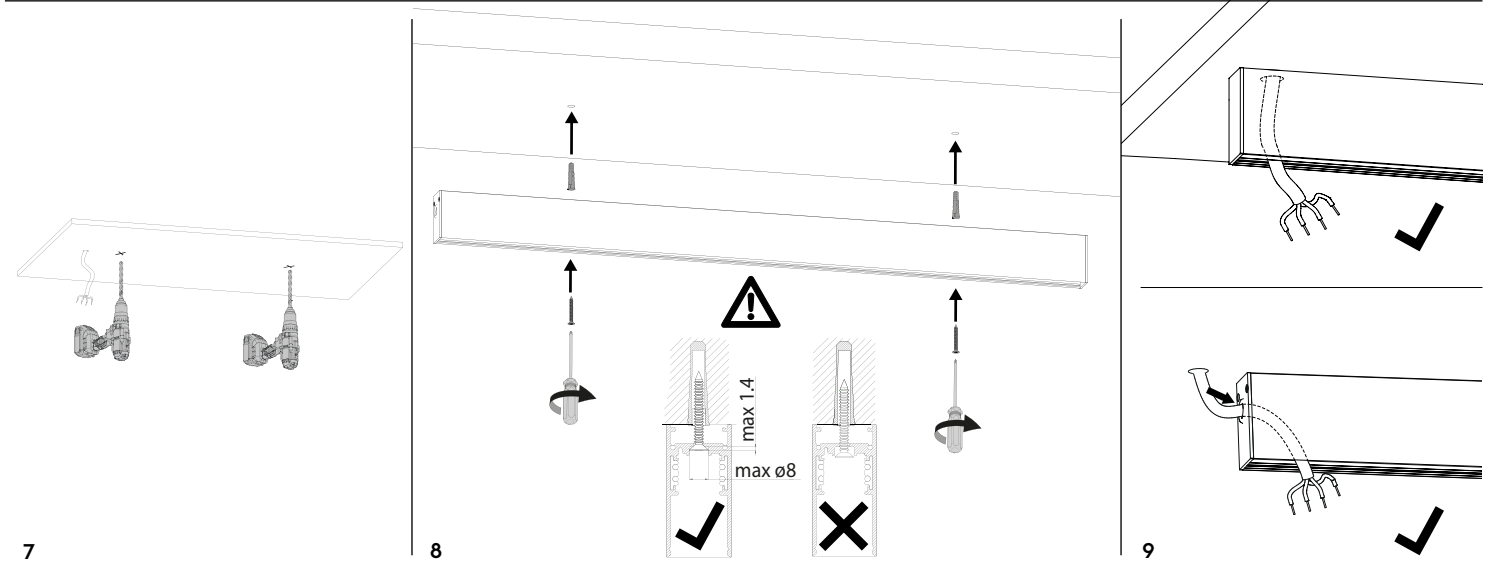
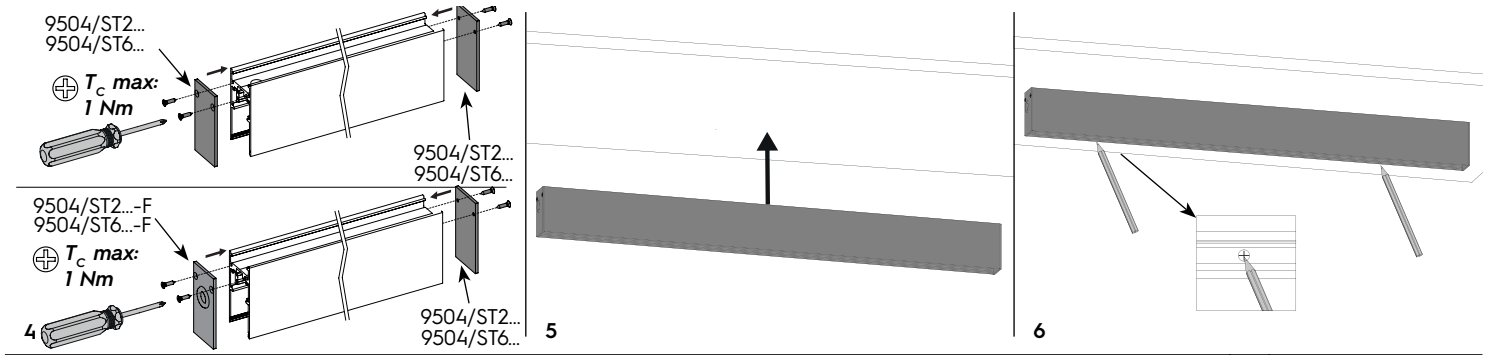
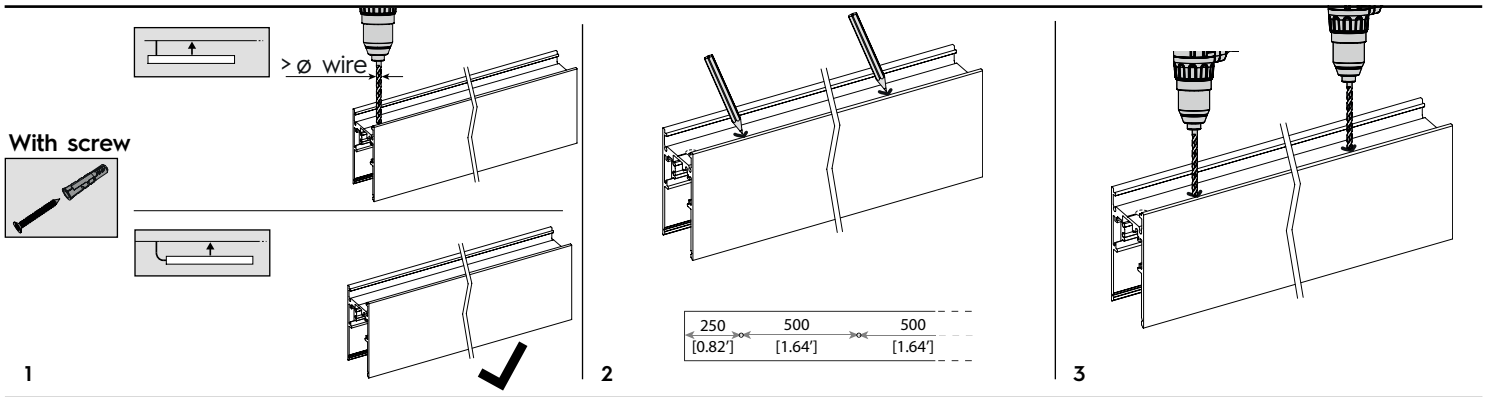
Ceiling

Wall

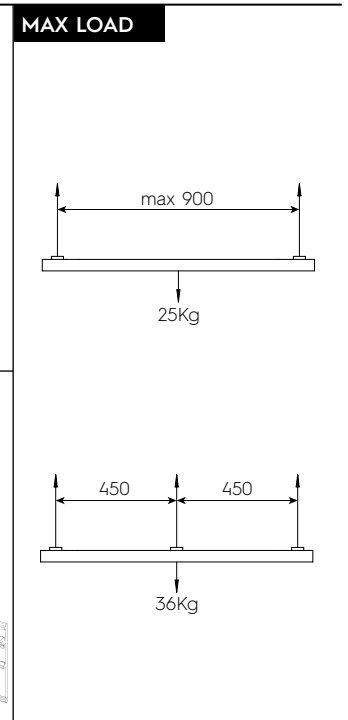
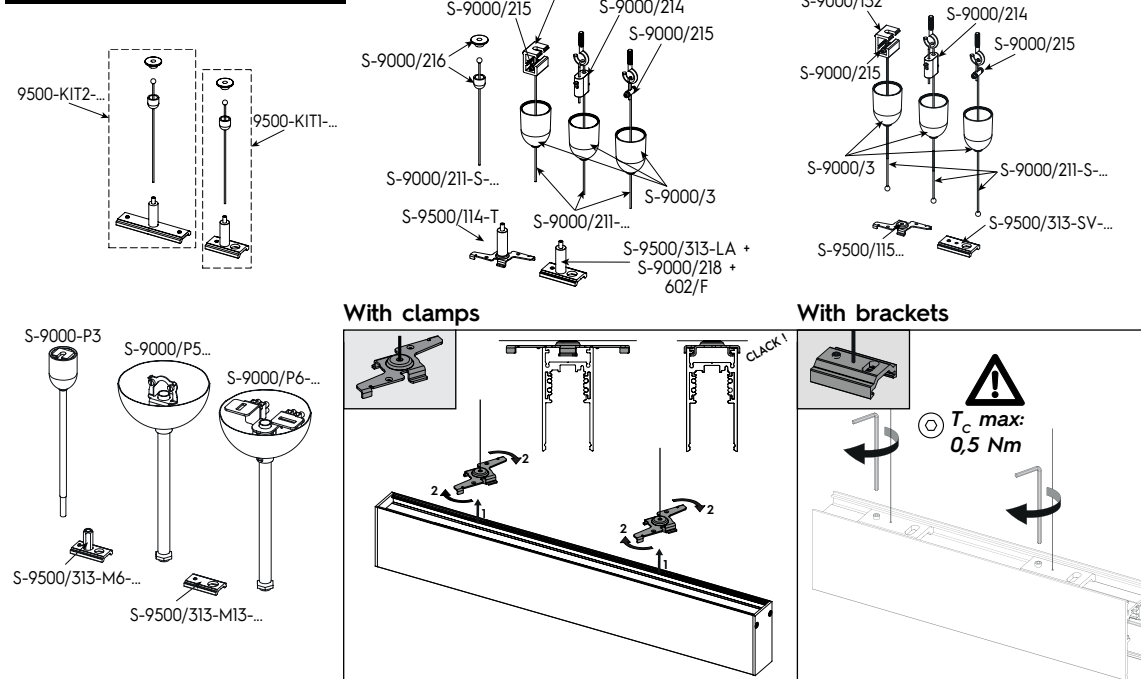
Suspended

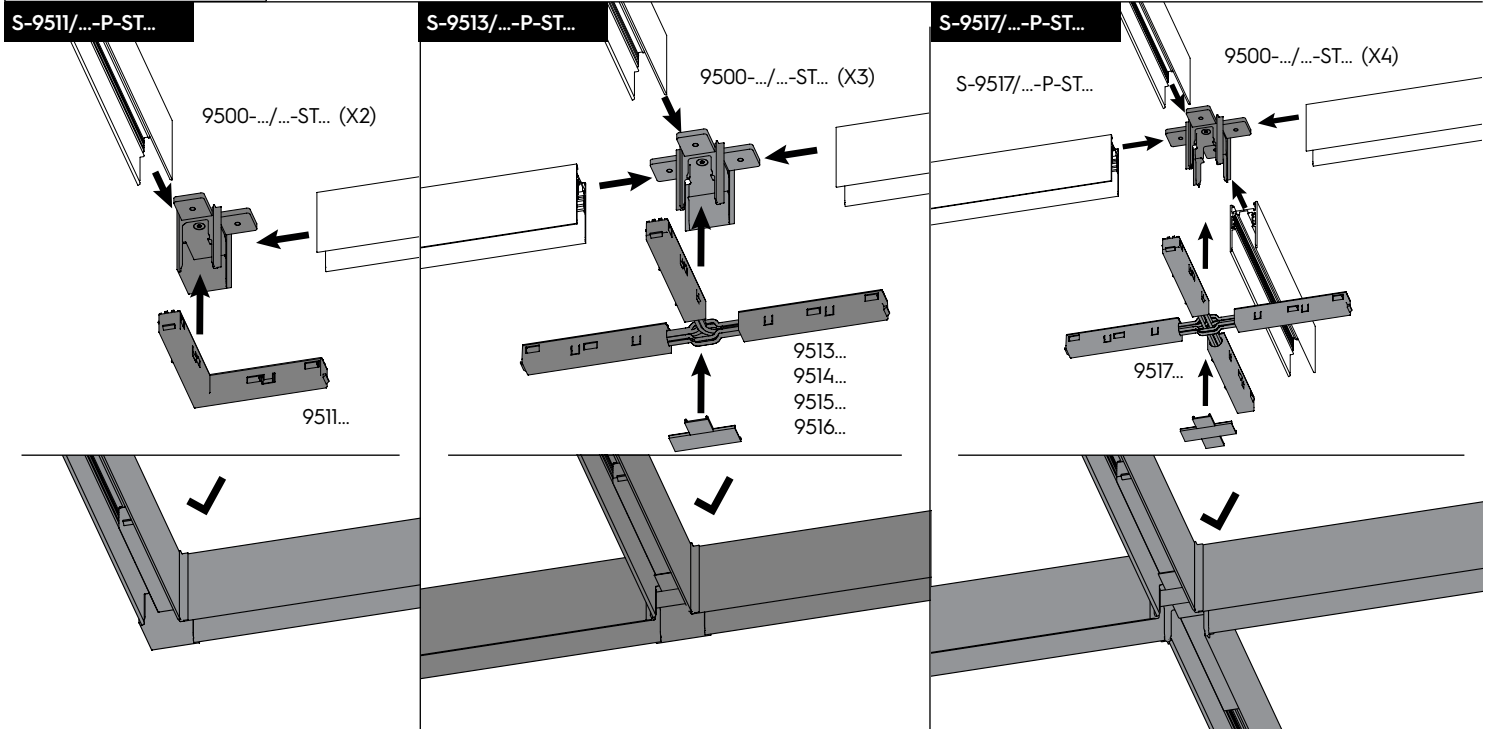
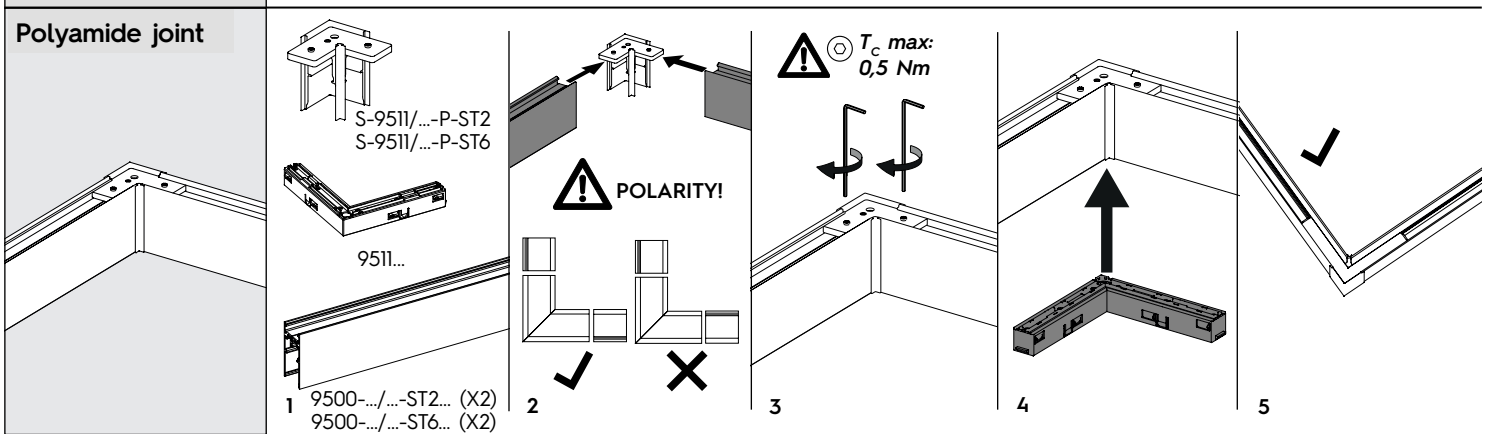
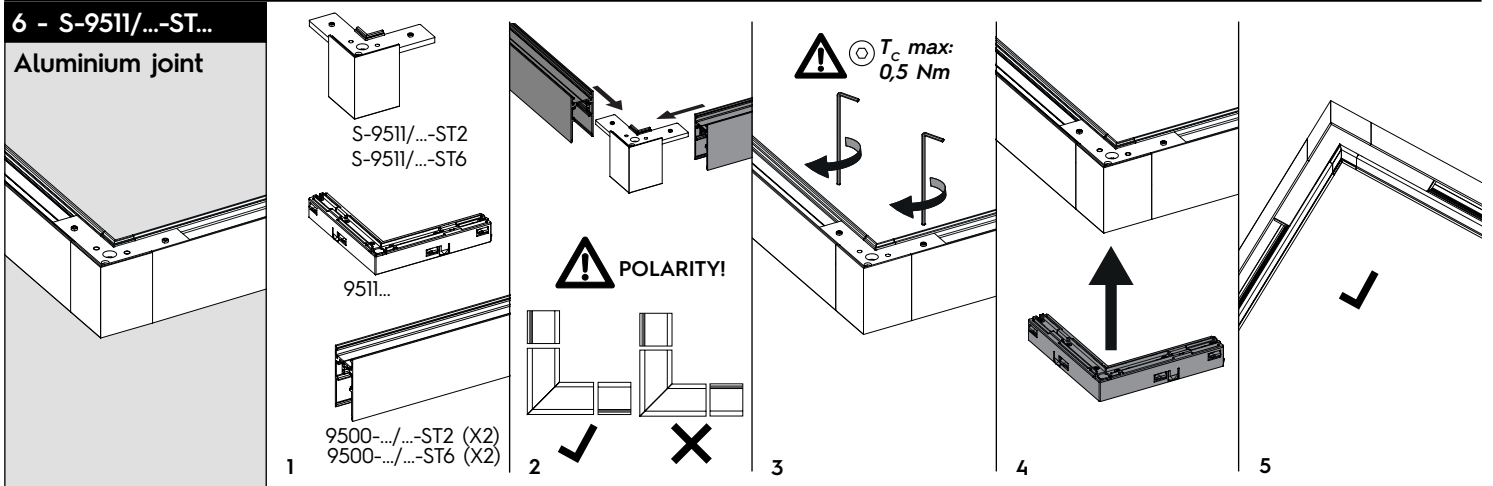
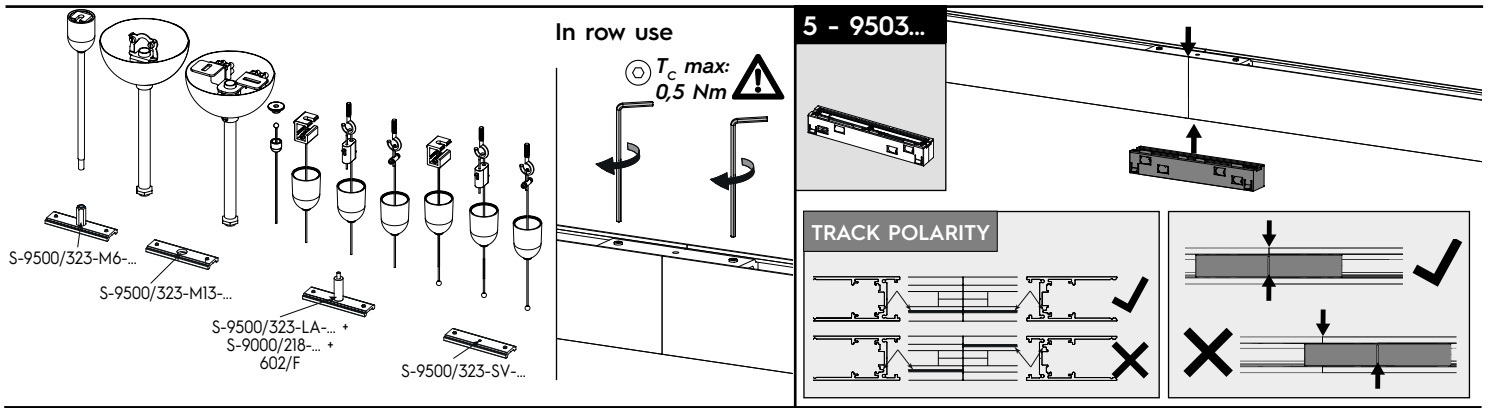
3 - CEILING FIXING

With S-9500/114

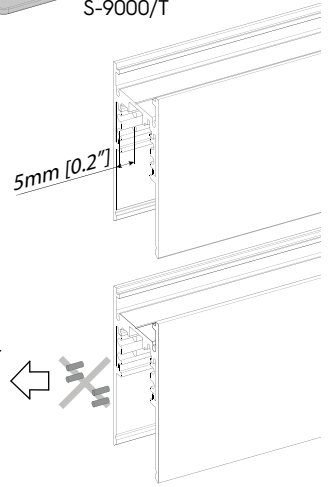
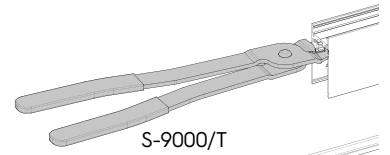
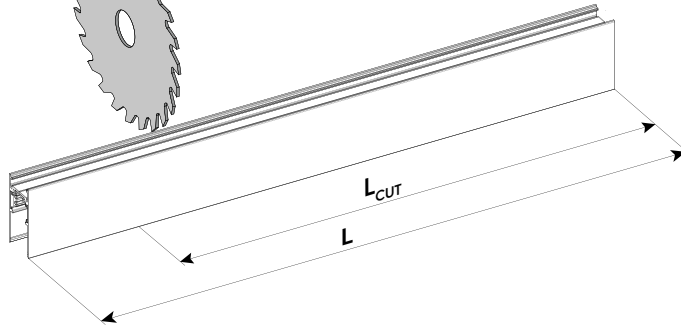
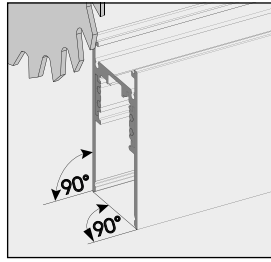
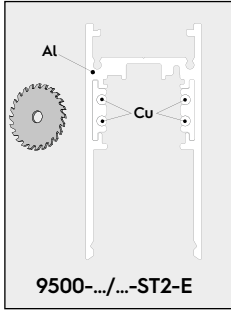


4 - SUSPENDED FIXING





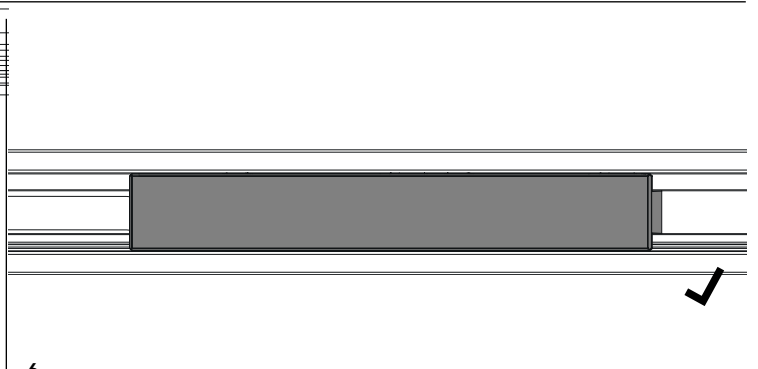
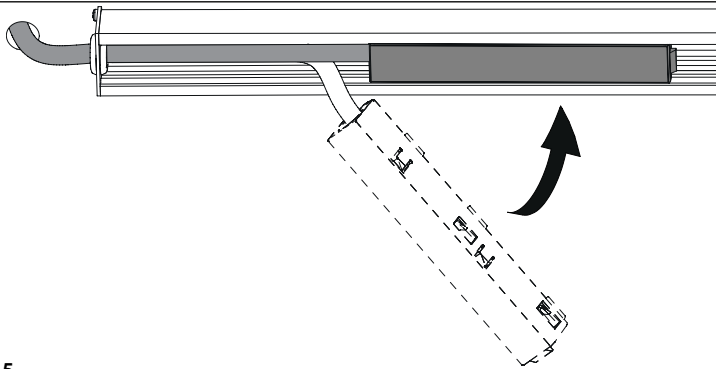
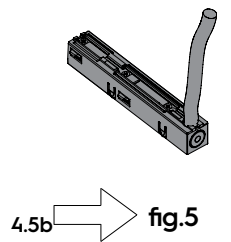
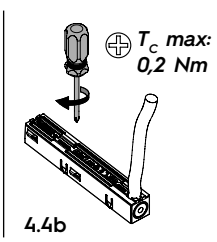
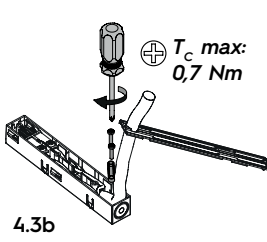
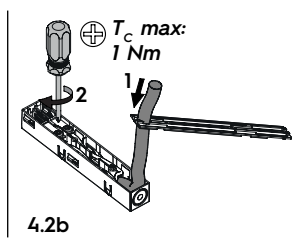
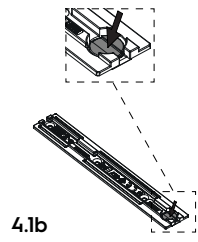
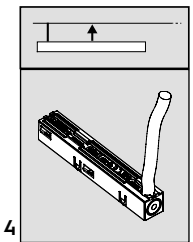
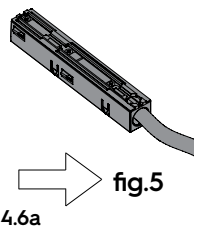
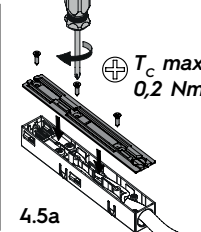
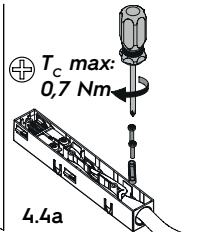
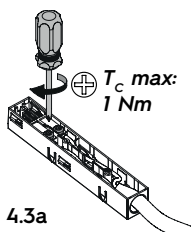
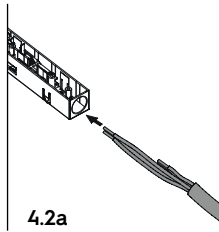
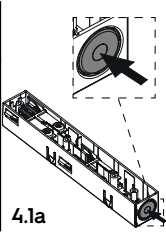
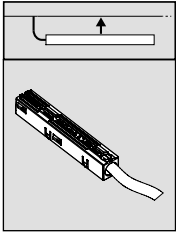
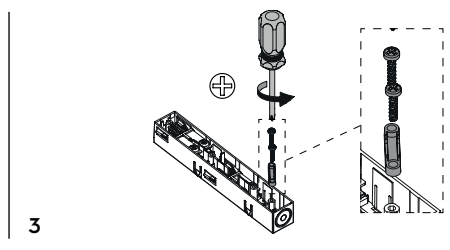
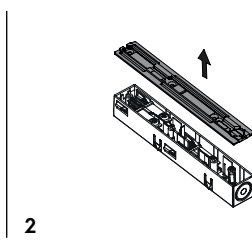
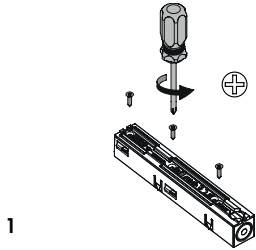
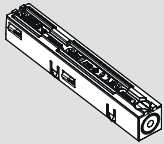
7 - CUTTING



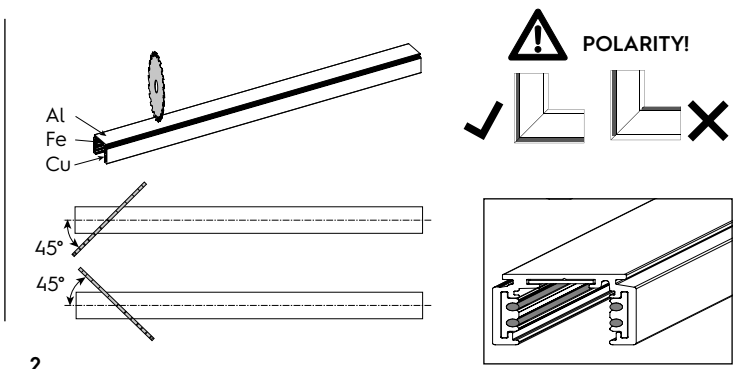
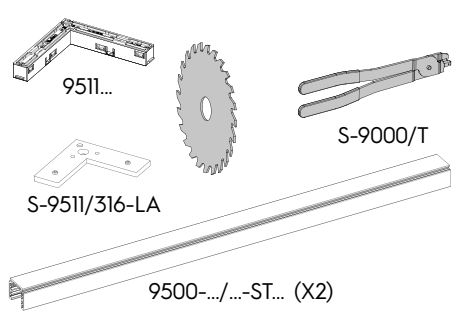
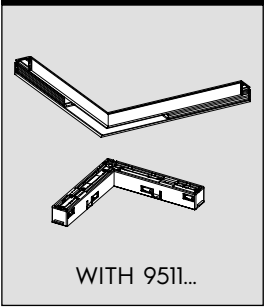
1

2

8 - 9501-S/...-E

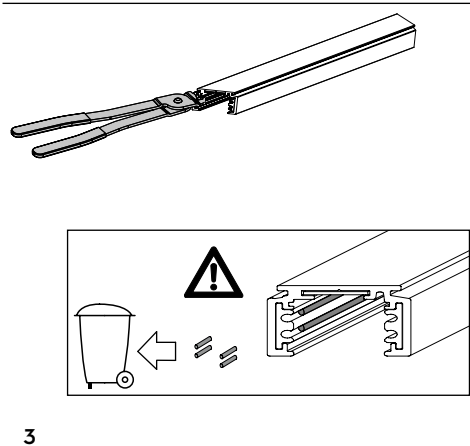


9 - 90° ANGLE

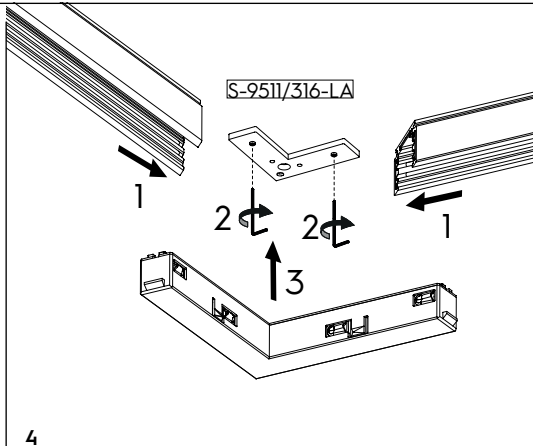


1

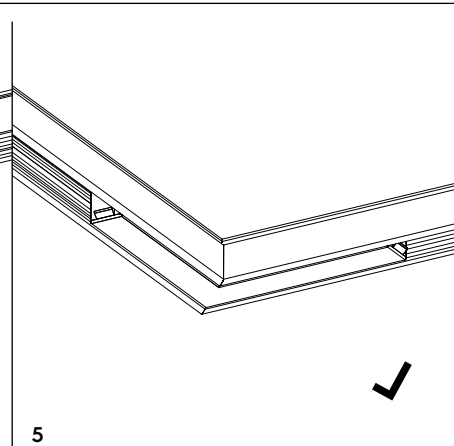
2



3

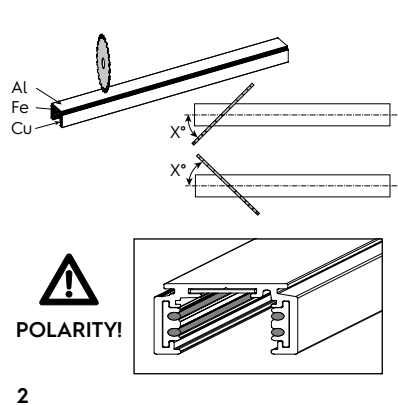
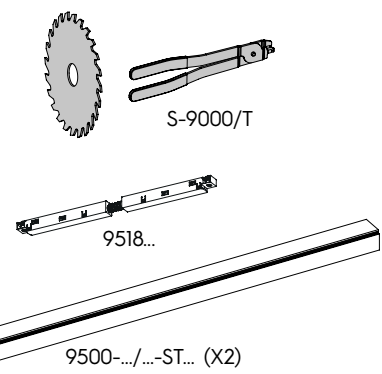
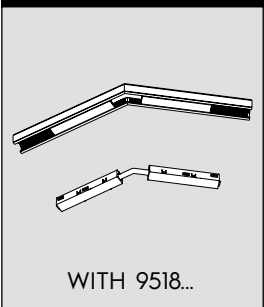


4



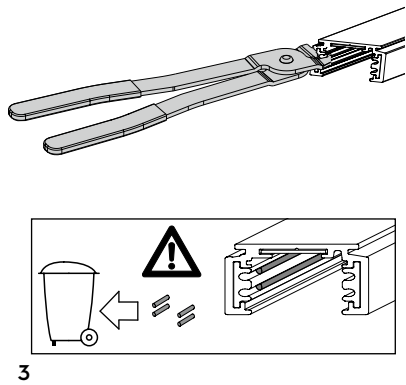
5

10 - ≠ 90° ANGLE

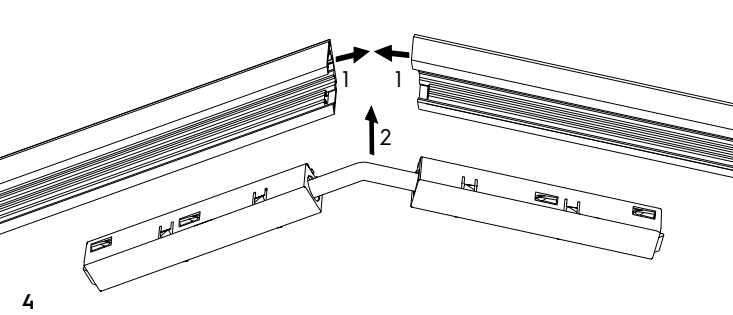


1

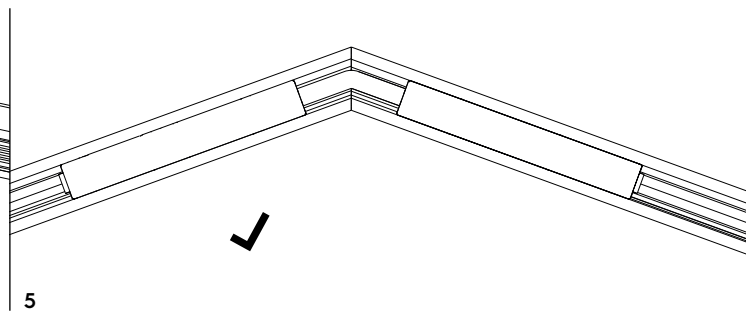
2



3

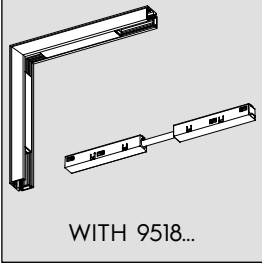


4

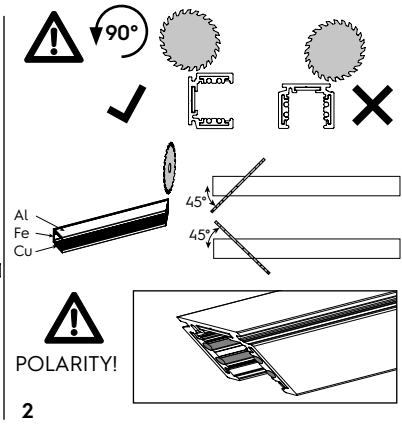
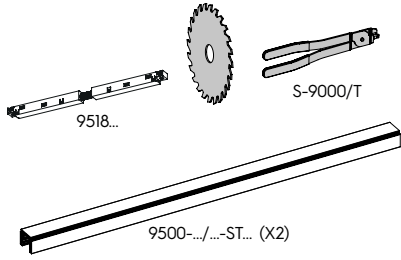


5

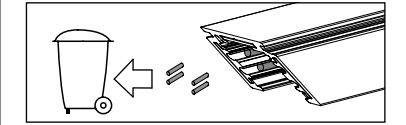
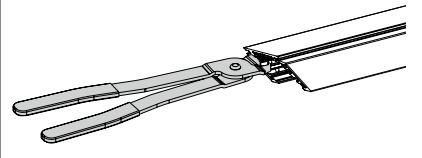
**T1 - WALL CEILING
90° ANGLE**



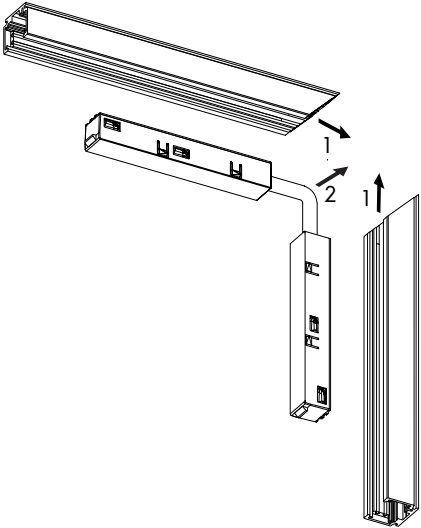
1



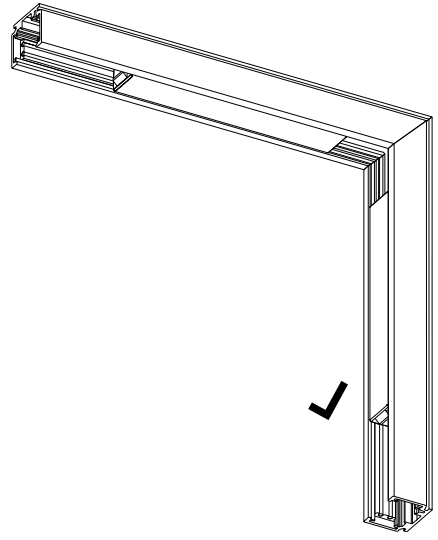
2



3



4



5