

**IMPORTANT SAFETY INFORMATION** READ INSTRUCTIONS BEFORE USING PRODUCTS. SAVE THESE INSTRUCTIONS FOR LATER REFERENCE.

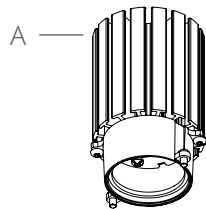
- Product to be installed by a qualified electrician.
- Installations must conform to national and local codes
- Use only with supplied power supply unit.
- This product is suitable for dry indoor locations only.
- Ensure product is not on same circuit as inductive loads.
- Airtight per ASTM E283
- Covered ceiling mount only.
- Type IC, Inherently Protected.

- For Canada, vapor barrier must be suitable for 90°C
- Mains supply must be off whilst installing or servicing.
- Ensure all connections are tight and secure.
- Use Precision Lighting optics and accessories only.
- Luminaires may be hot, allow to cool before touching.
- Access to serviceable electrical components should be kept available for maintenance purposes.

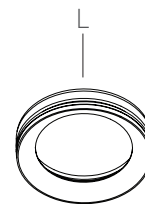
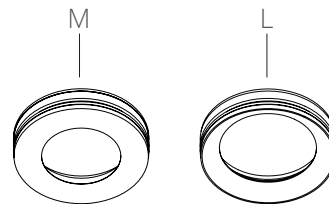
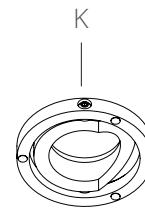
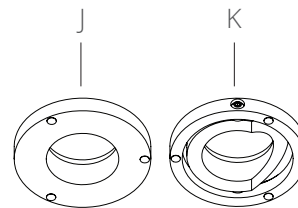
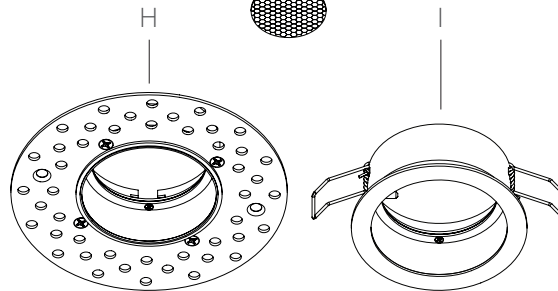
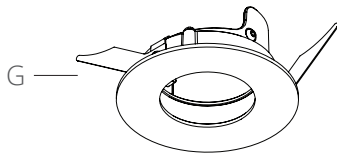
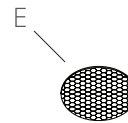
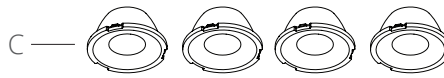
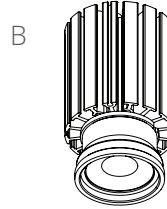
**Warranty**

This product must be installed in accordance with all applicable installation codes and ordinance  
 Limited five (5) year warranty  
 Warranty is void in the eventuality of unauthorized modifications and/or improper use.

Minimo Core



Minimo 16  
pro series

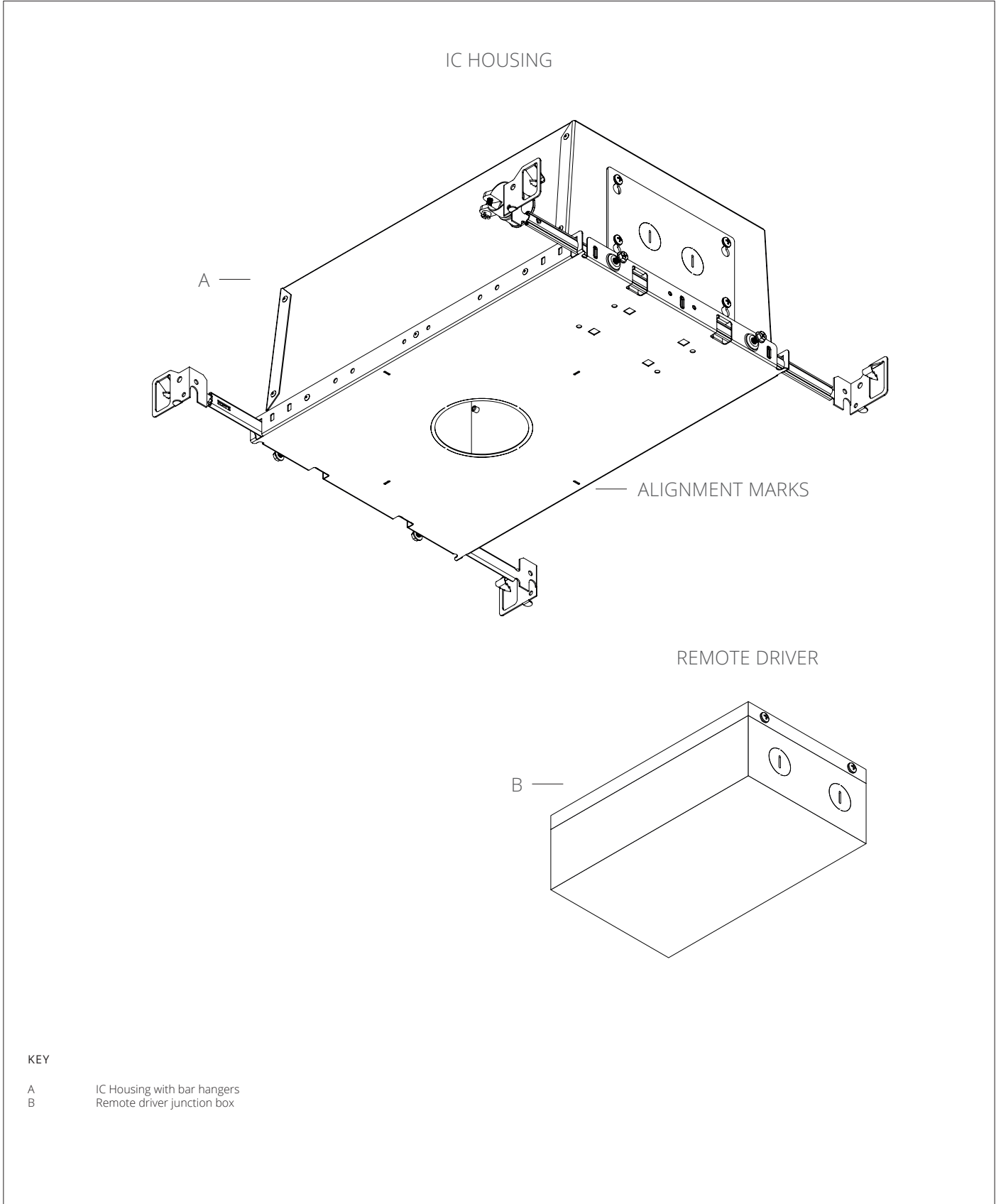


**KEY**

- A Minimo Core Heatsink Module
- B Minimo 16 Heatsink Module
- C PMMA Optics
- D Diffuser Discs
- E Honeycomb Louvre
- F Minimo Core Accessory Holder
- G Minimo Core Trim
- H Minimo 16 Trimless Housing
- I Minimo 16 Trimmed Housing
- J Minimo 16 Fixed Magnet Ring
- K Minimo 16 Tilt Ring
- L Decorative Insert
- M Pinhole Insert

**IMPORTANT SAFETY INFORMATION** READ INSTRUCTIONS BEFORE USING PRODUCTS. SAVE THESE INSTRUCTIONS FOR LATER REFERENCE.

- Product to be installed by a qualified electrician.
  - Installations must conform to national and local codes
  - Use only with supplied power supply unit.
  - This product is suitable for dry indoor locations only.
  - Ensure product is not on same circuit as inductive loads.
  - Airtight per ASTM E283
  - Covered ceiling mount only.
  - Type IC, Inherently Protected.
- For Canada, vapor barrier must be suitable for 90°C
  - Mains supply must be off whilst installing or servicing.
  - Ensure all connections are tight and secure.
  - Use Precision Lighting optics and accessories only.
  - Luminaires may be hot, allow to cool before touching.
  - Access to serviceable electrical components should be kept available for maintenance purposes.
- Warranty**
- This product must be installed in accordance with all applicable installation codes and ordinance  
 Limited five (5) year warranty  
 Warranty is void in the eventuality of unauthorized modifications and/or improper use.



**IMPORTANT SAFETY INFORMATION** READ INSTRUCTIONS BEFORE USING PRODUCTS. SAVE THESE INSTRUCTIONS FOR LATER REFERENCE.

- Product to be installed by a qualified electrician.
- Installations must conform to national and local codes
- Use only with supplied power supply unit.
- This product is suitable for dry indoor locations only.
- Ensure product is not on same circuit as inductive loads.
- Airtight per ASTM E283
- Covered ceiling mount only.
- Type IC, Inherently Protected.
- For Canada, vapor barrier must be suitable for 90°C
- Mains supply must be off whilst installing or servicing.
- Ensure all connections are tight and secure.
- Use Precision Lighting optics and accessories only.
- Luminaires may be hot, allow to cool before touching.
- Access to serviceable electrical components should be kept available for maintenance purposes.

Warranty  
This product must be installed in accordance with all applicable installation codes and ordinance  
Limited five (5) year warranty  
Warranty is void in the eventuality of unauthorized modifications and/or improper use.

Section 1: IC Housing Installation - Remote driver

<p>1.1 Align the hanger bars on the plaster frame to the ceiling joists in desired location using crosshairs as guide. Fasten them to the joist by hammering in the tabs on the hanger bars or with nails. Secure with cinching screws.</p>	<p>1.2 Install remote driver box in an accessible, maintainable location. Driver enclosure requires ventilation, must not be in contact with insulation. Opened and unused knockouts must be capped.</p>
	<p>MAX Cable Distance          AWG 20 (0.52 mm<sup>2</sup>) - 14 m / 46 ft          AWG 19 (0.65 mm<sup>2</sup>) - 18 m / 59 ft          AWG 18 (0.82 mm<sup>2</sup>) - 22 m / 72 ft          AWG 17 (1.04 mm<sup>2</sup>) - 28 m / 92 ft          AWG 16 (1.31 mm<sup>2</sup>) - 36 m / 118 ft</p>
<p>1.3 All wiring connections to be made within driver enclosure. Ensure enclosure is grounded. Wires must be clamped down and not in contact with driver.</p>	<p>1.4 Make connection between remote driver and luminaire IC enclosure in accordance with national and local electrical codes.</p>
<p>1.5 Temporarily secure the low voltage cable within the IC box for retrieval after ceiling install and cutout made.</p>	

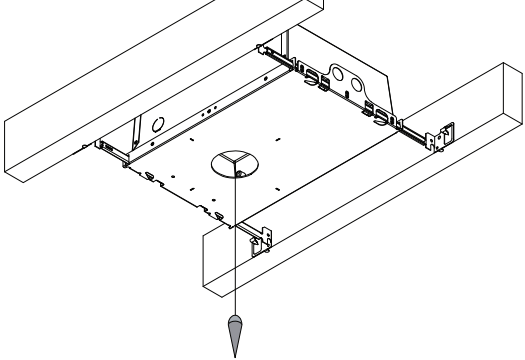
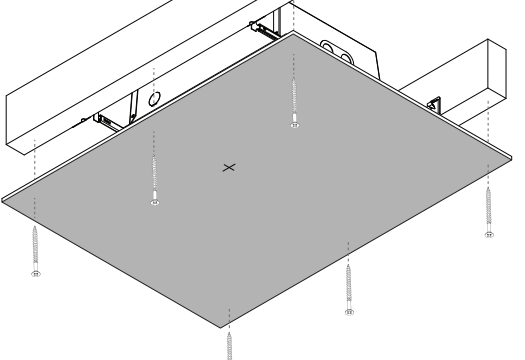
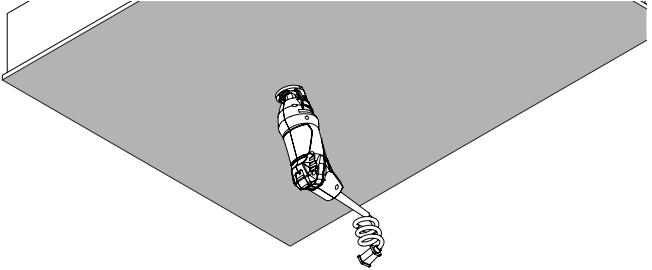
**IMPORTANT SAFETY INFORMATION** READ INSTRUCTIONS BEFORE USING PRODUCTS. SAVE THESE INSTRUCTIONS FOR LATER REFERENCE.

- Product to be installed by a qualified electrician.
- Installations must conform to national and local codes
- Use only with supplied power supply unit.
- This product is suitable for dry indoor locations only.
- Ensure product is not on same circuit as inductive loads.
- Airtight per ASTM E283
- Covered ceiling mount only.
- Type IC, Inherently Protected.
- For Canada, vapor barrier must be suitable for 90°C
- Mains supply must be off whilst installing or servicing.
- Ensure all connections are tight and secure.
- Use Precision Lighting optics and accessories only.
- Luminaires may be hot, allow to cool before touching.
- Access to serviceable electrical components should be kept available for maintenance purposes.

**Warranty**

This product must be installed in accordance with all applicable installation codes and ordinance  
 Limited five (5) year warranty  
 Warranty is void in the eventuality of unauthorized modifications and/or improper use.

Section 1: IC Housing Installation

	
<p>1.7 Mark fixture center opening on floor with plumbline.</p>	<p>1.8 Install the drywall to the joists. Mark fixture center from floor marking in 1.3.</p>
	
<p>1.9 Create a cutout using a cutting tool starting at the center mark.          Note: The 'Cutting tool' aka RotoZip cutter will follow the hole in the plaster frame as a guide to create the hole which keeps everything concentric.</p>	

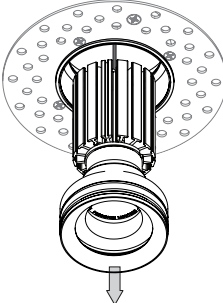
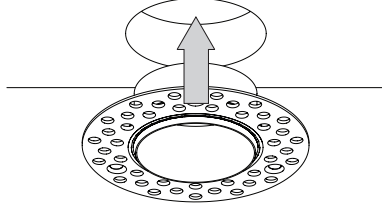
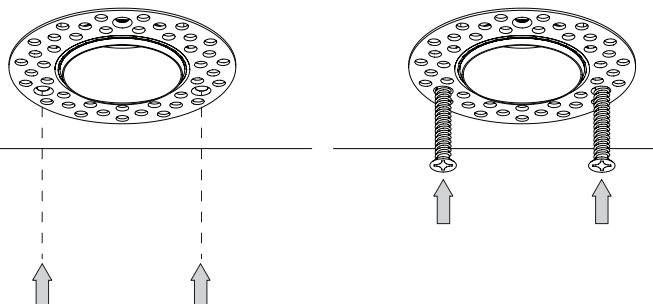
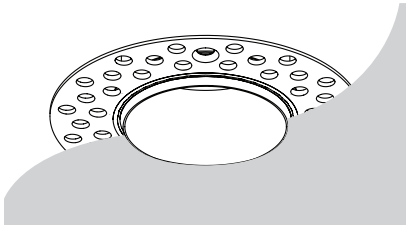
**IMPORTANT SAFETY INFORMATION** READ INSTRUCTIONS BEFORE USING PRODUCTS. SAVE THESE INSTRUCTIONS FOR LATER REFERENCE.

- Product to be installed by a qualified electrician.
- Installations must conform to national and local codes
- Use only with supplied power supply unit.
- This product is suitable for dry indoor locations only.
- Ensure product is not on same circuit as inductive loads.
- Airtight per ASTM E283
- Covered ceiling mount only.
- Type IC, Inherently Protected.
- For Canada, vapor barrier must be suitable for 90°C
- Mains supply must be off whilst installing or servicing.
- Ensure all connections are tight and secure.
- Use Precision Lighting optics and accessories only.
- Luminaires may be hot, allow to cool before touching.
- Access to serviceable electrical components should be kept available for maintenance purposes.

**Warranty**

This product must be installed in accordance with all applicable installation codes and ordinance  
 Limited five (5) year warranty  
 Warranty is void in the eventuality of unauthorized modifications and/or improper use.

Section 2: Mud in trim installation - For Minimo Core or Minimo 16 with Flanged trim skip to section 3.

<p style="text-align: right;">Minimo 16 <i>pro series</i></p> 	<p style="text-align: right;">Minimo 16 <i>pro series</i></p> 
<p>2.1 Separate trim from fixture</p>	<p>2.2 Insert trim into ceiling.</p>
<p style="text-align: right;">Minimo 16 <i>pro series</i></p> 	<p style="text-align: right;">Minimo 16 <i>pro series</i></p> 
<p>2.3 Drill pilot hole with 9/64 bit through to plaster frame and install screws suitable for ceiling thickness.</p>	<p>2.4 Plaster over perforated trim, wipe away any excess inside trim.</p>

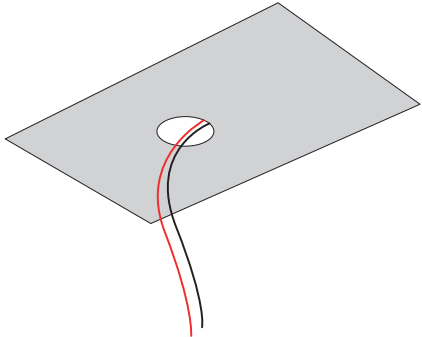
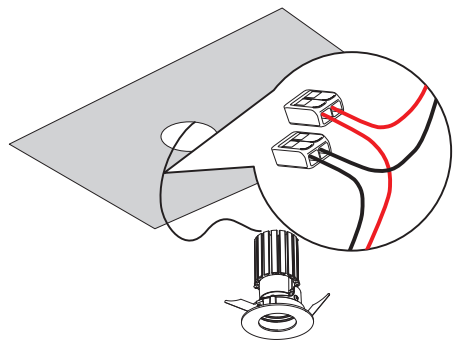
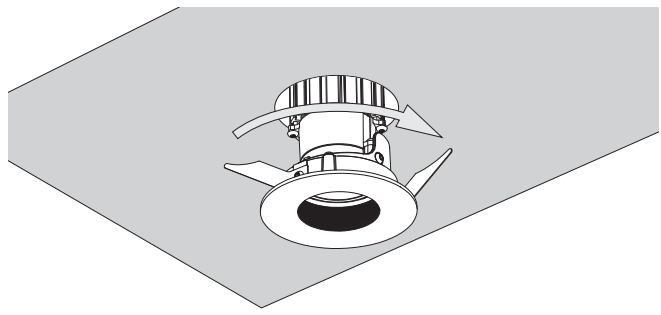
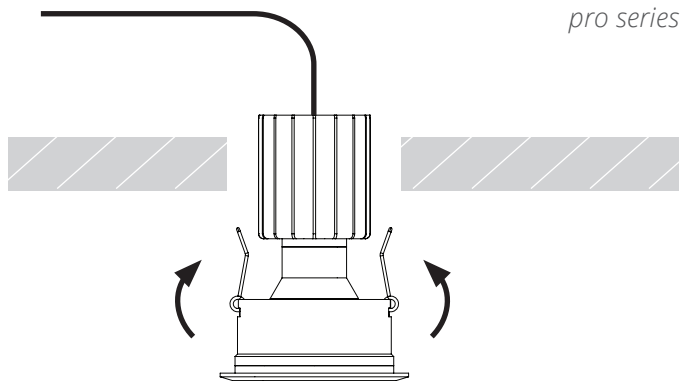
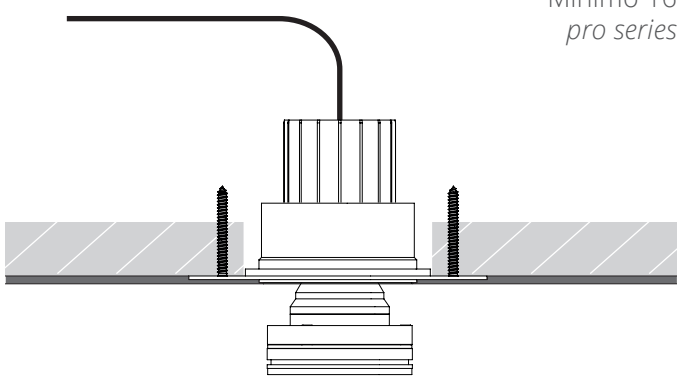
**IMPORTANT SAFETY INFORMATION** READ INSTRUCTIONS BEFORE USING PRODUCTS. SAVE THESE INSTRUCTIONS FOR LATER REFERENCE.

- Product to be installed by a qualified electrician.
- Installations must conform to national and local codes
- Use only with supplied power supply unit.
- This product is suitable for dry indoor locations only.
- Ensure product is not on same circuit as inductive loads.
- Airtight per ASTM E283
- Covered ceiling mount only.
- Type IC, Inherently Protected.
- For Canada, vapor barrier must be suitable for 90°C
- Mains supply must be off whilst installing or servicing.
- Ensure all connections are tight and secure.
- Use Precision Lighting optics and accessories only.
- Luminaires may be hot, allow to cool before touching.
- Access to serviceable electrical components should be kept available for maintenance purposes.

**Warranty**

This product must be installed in accordance with all applicable installation codes and ordinance  
 Limited five (5) year warranty  
 Warranty is void in the eventuality of unauthorized modifications and/or improper use.

Section 3: Driver Connection and Servicing - Remote driver

	
<p>3.1 Retrieve low voltage wires from power supply through the luminaire aperture.</p>	<p>3.2 Connect luminaire to low voltage wires with quick connector, ensure polarity is observed.</p>
<p style="text-align: right;">Minimo core</p> 	<p style="text-align: right;">Minimo 16 pro series</p> 
<p>3.3 - Minimo Core Insert fixture while pinching in wing brackets, twist clockwise to secure firmly into ceiling surface.</p>	<p>3.4 - Minimo 16 - Flanged Trim Fold back springs and insert through opening, allowing the flanged trim to mate flat with the ceiling.</p>
<p style="text-align: right;">Minimo 16 pro series</p> 	
<p>3.5 - Minimo 16 - Mud in (Trimless) Pass module through opening until magnets snap into place and module is held secure.</p>	

**IMPORTANT SAFETY INFORMATION** READ INSTRUCTIONS BEFORE USING PRODUCTS. SAVE THESE INSTRUCTIONS FOR LATER REFERENCE.

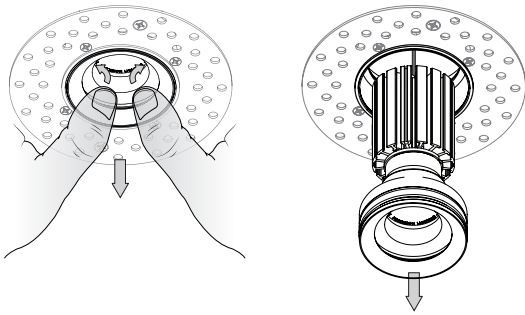
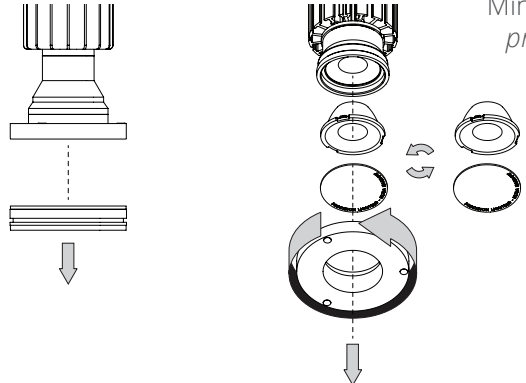
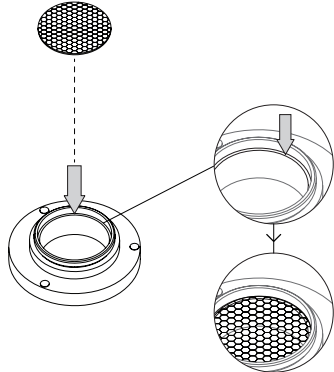
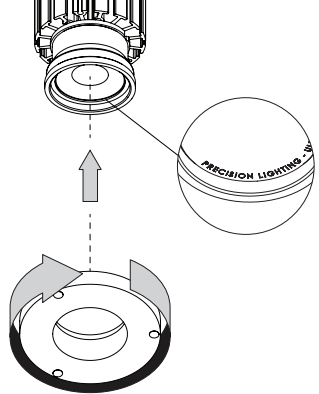
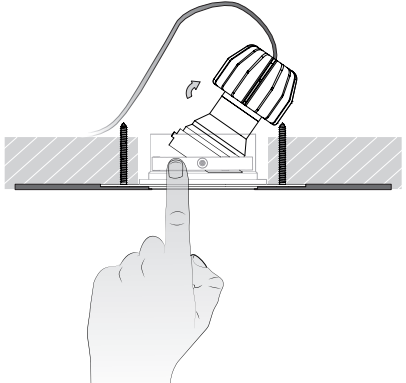
- Product to be installed by a qualified electrician.
- Installations must conform to national and local codes
- Use only with supplied power supply unit.
- This product is suitable for dry indoor locations only.
- Ensure product is not on same circuit as inductive loads.
- Airtight per ASTM E283
- Covered ceiling mount only.
- Type IC, Inherently Protected.

- For Canada, vapor barrier must be suitable for 90°C
- Mains supply must be off whilst installing or servicing.
- Ensure all connections are tight and secure.
- Use Precision Lighting optics and accessories only.
- Luminaires may be hot, allow to cool before touching.
- Access to serviceable electrical components should be kept available for maintenance purposes.

Warranty

This product must be installed in accordance with all applicable installation codes and ordinance  
 Limited five (5) year warranty  
 Warranty is void in the eventuality of unauthorized modifications and/or improper use.

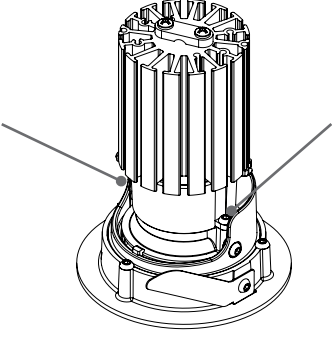
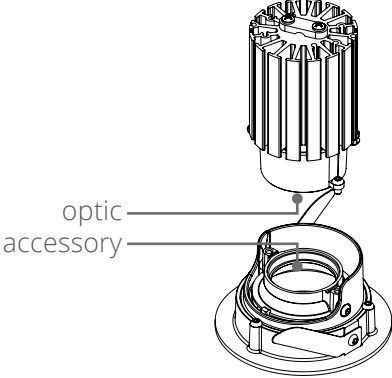
Section 4: Light Engine Maintenance and Accessories Minimo 16

 <p style="text-align: right;">Minimo 16 pro series</p>	 <p style="text-align: right;">Minimo 16 pro series</p>
<p>4.1 - Minimo 16 Using your thumbs pull from the inside of the aperture to release the light engine. Pull this down and out of the trim.</p>	<p>4.2 - Minimo 16 Unscrew the magnetic ring to release the optic element. Replace the optic element as desired.</p>
 <p style="text-align: right;">Minimo 16 pro series</p>	 <p style="text-align: right;">Minimo 16 pro series</p>
<p>4.3 - Minimo 16 With the magnetic ring removed accessories can be installed into it such as a honeycomb louver.</p>	<p>4.4 - Minimo 16 Thread magnetic ring back onto light engine. When using optic elements with printed text ensure the text is oriented so it is readable from below.</p>
 <p style="text-align: right;">Minimo 16 pro series</p>	
<p>4.5 Product can be tilted and rotated by pushing on one side of the light engine as shown.</p>	

**IMPORTANT SAFETY INFORMATION** READ INSTRUCTIONS BEFORE USING PRODUCTS. SAVE THESE INSTRUCTIONS FOR LATER REFERENCE.

- Product to be installed by a qualified electrician.
  - Installations must conform to national and local codes
  - Use only with supplied power supply unit.
  - This product is suitable for dry indoor locations only.
  - Ensure product is not on same circuit as inductive loads.
  - Airtight per ASTM E283
  - Covered ceiling mount only.
  - Type IC, Inherently Protected.
- For Canada, vapor barrier must be suitable for 90°C
  - Mains supply must be off whilst installing or servicing.
  - Ensure all connections are tight and secure.
  - Use Precision Lighting optics and accessories only.
  - Luminaires may be hot, allow to cool before touching.
  - Access to serviceable electrical components should be kept available for maintenance purposes.
- Warranty**
- This product must be installed in accordance with all applicable installation codes and ordinance  
Limited five (5) year warranty  
Warranty is void in the eventuality of unauthorized modifications and/or improper use.

Section 5: Light Engine Maintenance and Accessories

Minimo core	Minimo core
	
<p>5.1 - Minimo Core With the light removed from the ceiling, use a 2mm hex key to remove the 2 button head screws. Detaching the light engine from the housing.</p>	<p>5.2 - Minimo Core Optic and accessory can be swapped over. Reattach light engine to housing.</p>