

IMPORTANT SAFETY INFORMATION READ INSTRUCTIONS BEFORE USING PRODUCTS. SAVE THESE INSTRUCTIONS FOR LATER REFERENCE.

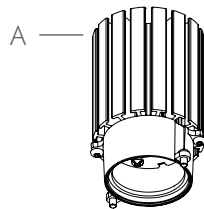
- Product to be installed by a qualified electrician.
- Installations must conform to national and local codes
- Use only with supplied power supply unit.
- This product is suitable for dry indoor locations only.
- Ensure product is not on same circuit as inductive loads.
- Airtight per ASTM E283
- Covered ceiling mount only.
- Type IC, Inherently Protected.

- For Canada, vapor barrier must be suitable for 90°C
- Mains supply must be off whilst installing or servicing.
- Ensure all connections are tight and secure.
- Use Precision Lighting optics and accessories only.
- Luminaires may be hot, allow to cool before touching.
- Access to serviceable electrical components should be kept available for maintenance purposes.

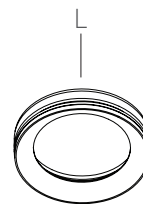
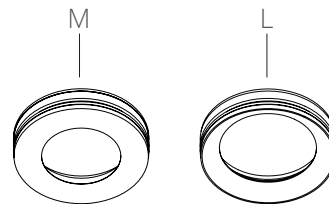
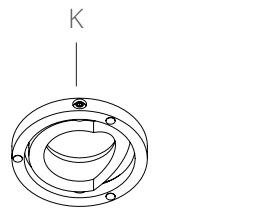
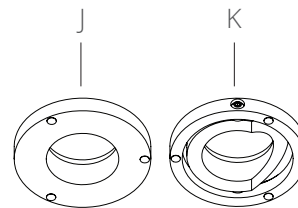
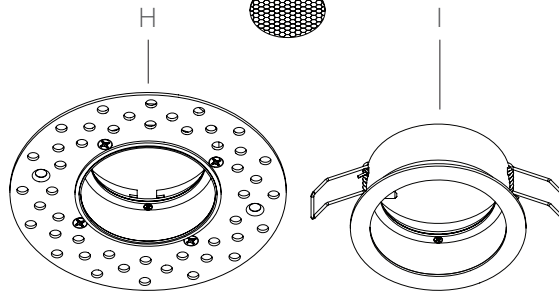
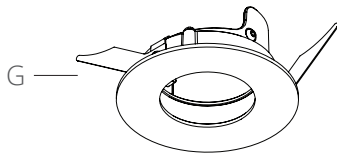
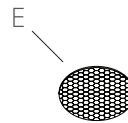
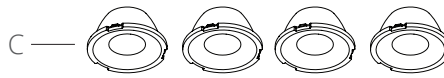
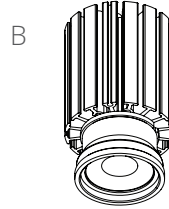
Warranty

This product must be installed in accordance with all applicable installation codes and ordinance
 Limited five (5) year warranty
 Warranty is void in the eventuality of unauthorized modifications and/or improper use.

Minimo Core



Minimo 16
pro series

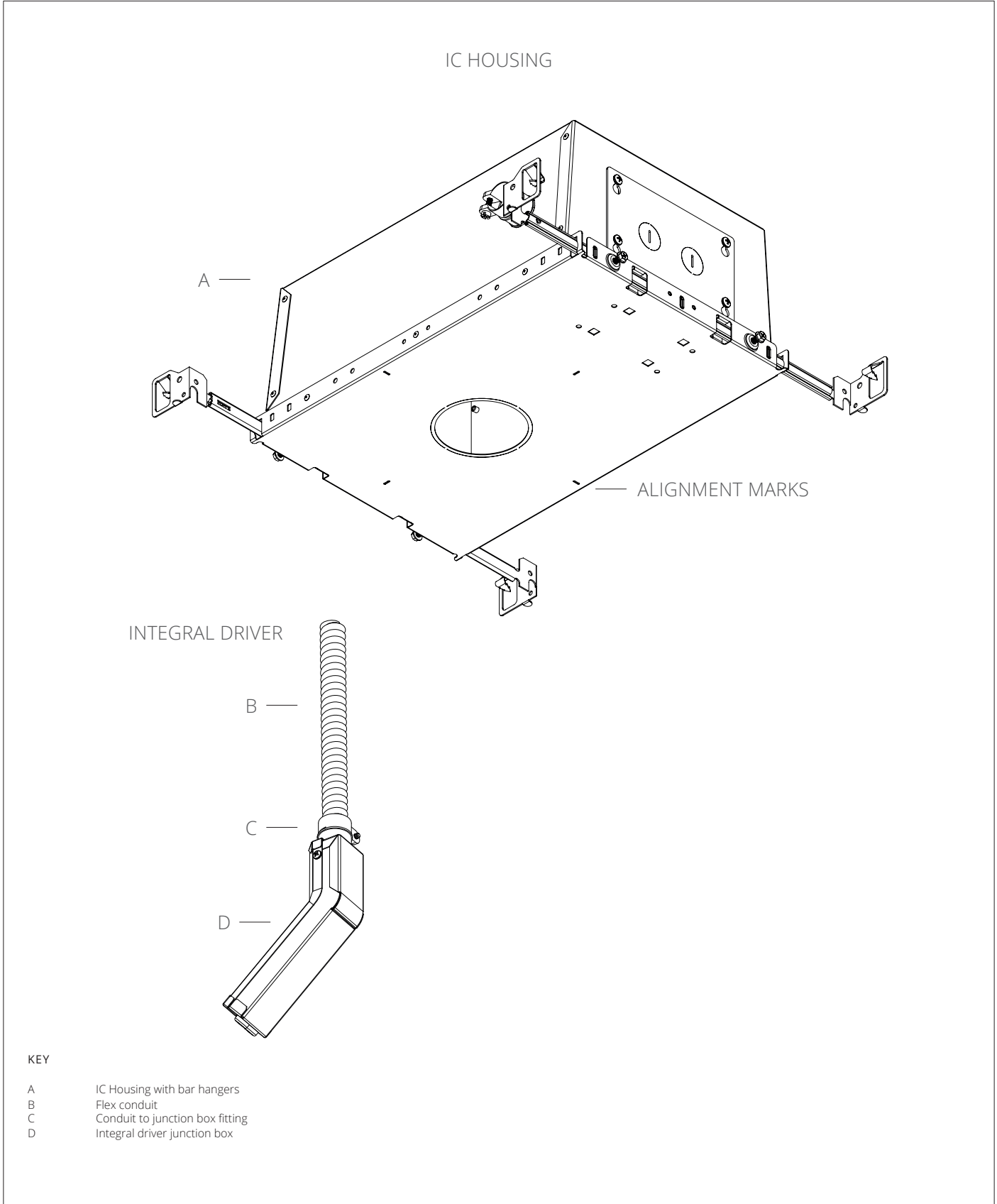


KEY

- A Minimo Core Heatsink Module
- B Minimo 16 Heatsink Module
- C PMMA Optics
- D Diffuser Discs
- E Honeycomb Louvre
- F Minimo Core Accessory Holder
- G Minimo Core Trim
- H Minimo 16 Trimless Housing
- I Minimo 16 Trimmed Housing
- J Minimo 16 Fixed Magnet Ring
- K Minimo 16 Tilt Ring
- L Decorative Insert
- M Pinhole Insert

IMPORTANT SAFETY INFORMATION READ INSTRUCTIONS BEFORE USING PRODUCTS. SAVE THESE INSTRUCTIONS FOR LATER REFERENCE.

- Product to be installed by a qualified electrician.
 - Installations must conform to national and local codes
 - Use only with supplied power supply unit.
 - This product is suitable for dry indoor locations only.
 - Ensure product is not on same circuit as inductive loads.
 - Airtight per ASTM E283
 - Covered ceiling mount only.
 - Type IC, Inherently Protected.
- For Canada, vapor barrier must be suitable for 90°C
 - Mains supply must be off whilst installing or servicing.
 - Ensure all connections are tight and secure.
 - Use Precision Lighting optics and accessories only.
 - Luminaires may be hot, allow to cool before touching.
 - Access to serviceable electrical components should be kept available for maintenance purposes.
- Warranty
- This product must be installed in accordance with all applicable installation codes and ordinance
 Limited five (5) year warranty
 Warranty is void in the eventuality of unauthorized modifications and/or improper use.



IMPORTANT SAFETY INFORMATION READ INSTRUCTIONS BEFORE USING PRODUCTS. SAVE THESE INSTRUCTIONS FOR LATER REFERENCE.

- Product to be installed by a qualified electrician.
- Installations must conform to national and local codes
- Use only with supplied power supply unit.
- This product is suitable for dry indoor locations only.
- Ensure product is not on same circuit as inductive loads.
- Airtight per ASTM E283
- Covered ceiling mount only.
- Type IC, Inherently Protected.
- For Canada, vapor barrier must be suitable for 90°C
- Mains supply must be off whilst installing or servicing.
- Ensure all connections are tight and secure.
- Use Precision Lighting optics and accessories only.
- Luminaires may be hot, allow to cool before touching.
- Access to serviceable electrical components should be kept available for maintenance purposes.

Warranty

This product must be installed in accordance with all applicable installation codes and ordinance
 Limited five (5) year warranty
 Warranty is void in the eventuality of unauthorized modifications and/or improper use.

Section 1: IC Housing Installation - Integral driver

<p>1.1 Align the hanger bars on the plaster frame to the ceiling joists in desired location using crosshairs as guide. Fasten them to the joist by hammering in the tabs on the hanger bars or with nails. Secure with cinching screws.</p>	<p>1.2 Install Romex through the housing, when branch is not routed through conduit, connect ground wire bond on housing to driver box. Leave an extra 12" service loop of field wires prior to termination at driver junction box.</p>
<p>1.3 Bring rigid conduit to housing and connect to flex conduit with fitting. Connect 3/8" flex conduit between the rigid conduit and through housing, leaving 10" of conduit from entry of housing to junction box as indicated. Opened and unused knockouts must be capped.</p>	<p>1.4 Connect Line Voltage to the IC Housing via the 6 entry options. Run line voltage cables down to wiring compartment of floating junction box.</p>
<p>1.5 Wiring compartment opens by removing two screws. Pull line voltage cables through conduit into compartment and make connections to driver. Attach earth to junction box at indicated point. Leave junction box hanging by 1" for inspection.</p>	<p>1.6 Feed junction box back through opening. Attach magnetic tether near opening so junction box can be pulled back through after ceiling is in place.</p>

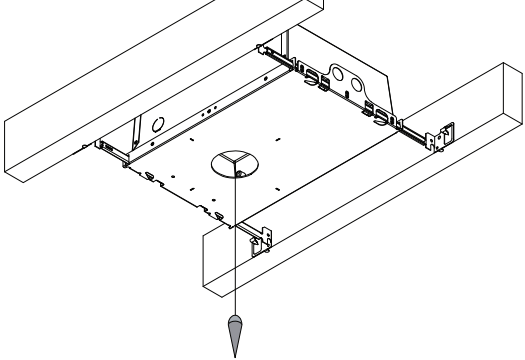
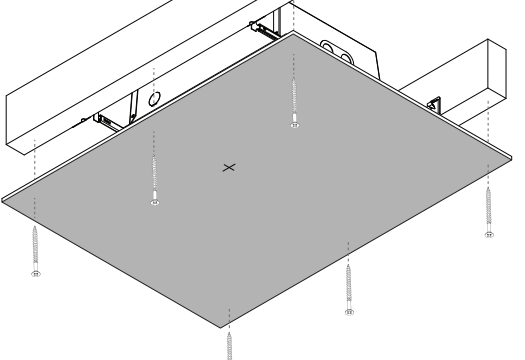
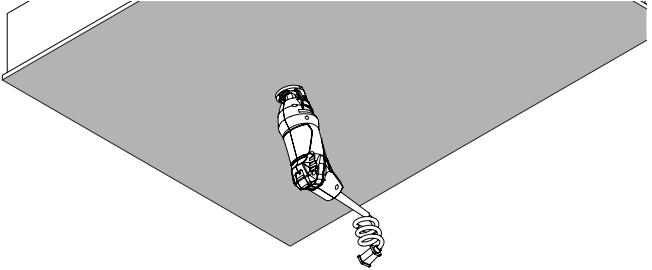
IMPORTANT SAFETY INFORMATION READ INSTRUCTIONS BEFORE USING PRODUCTS. SAVE THESE INSTRUCTIONS FOR LATER REFERENCE.

- Product to be installed by a qualified electrician.
- Installations must conform to national and local codes
- Use only with supplied power supply unit.
- This product is suitable for dry indoor locations only.
- Ensure product is not on same circuit as inductive loads.
- Airtight per ASTM E283
- Covered ceiling mount only.
- Type IC, Inherently Protected.
- For Canada, vapor barrier must be suitable for 90°C
- Mains supply must be off whilst installing or servicing.
- Ensure all connections are tight and secure.
- Use Precision Lighting optics and accessories only.
- Luminaires may be hot, allow to cool before touching.
- Access to serviceable electrical components should be kept available for maintenance purposes.

Warranty

This product must be installed in accordance with all applicable installation codes and ordinance
 Limited five (5) year warranty
 Warranty is void in the eventuality of unauthorized modifications and/or improper use.

Section 1: IC Housing Installation

	
<p>1.7 Mark fixture center opening on floor with plumbline.</p>	<p>1.8 Install the drywall to the joists. Mark fixture center from floor marking in 1.3.</p>
	
<p>1.9 Create a cutout using a cutting tool starting at the center mark. Note: The 'Cutting tool' aka RotoZip cutter will follow the hole in the plaster frame as a guide to create the hole which keeps everything concentric.</p>	

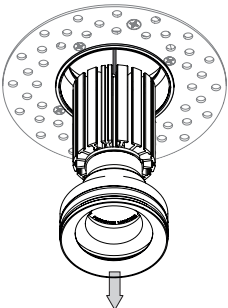
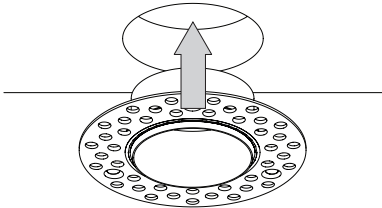
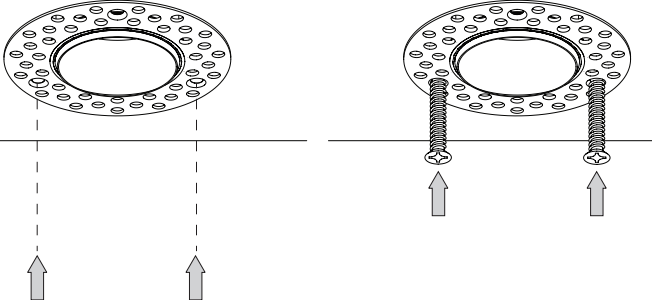
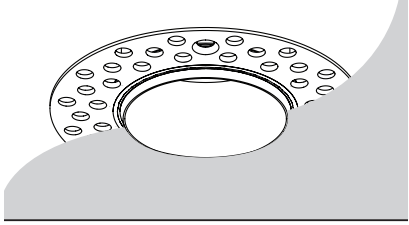
IMPORTANT SAFETY INFORMATION READ INSTRUCTIONS BEFORE USING PRODUCTS. SAVE THESE INSTRUCTIONS FOR LATER REFERENCE.

- Product to be installed by a qualified electrician.
- Installations must conform to national and local codes
- Use only with supplied power supply unit.
- This product is suitable for dry indoor locations only.
- Ensure product is not on same circuit as inductive loads.
- Airtight per ASTM E283
- Covered ceiling mount only.
- Type IC, Inherently Protected.
- For Canada, vapor barrier must be suitable for 90°C
- Mains supply must be off whilst installing or servicing.
- Ensure all connections are tight and secure.
- Use Precision Lighting optics and accessories only.
- Luminaires may be hot, allow to cool before touching.
- Access to serviceable electrical components should be kept available for maintenance purposes.

Warranty

This product must be installed in accordance with all applicable installation codes and ordinance
 Limited five (5) year warranty
 Warranty is void in the eventuality of unauthorized modifications and/or improper use.

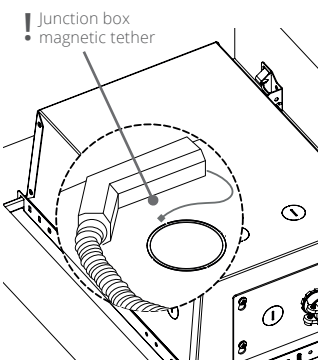
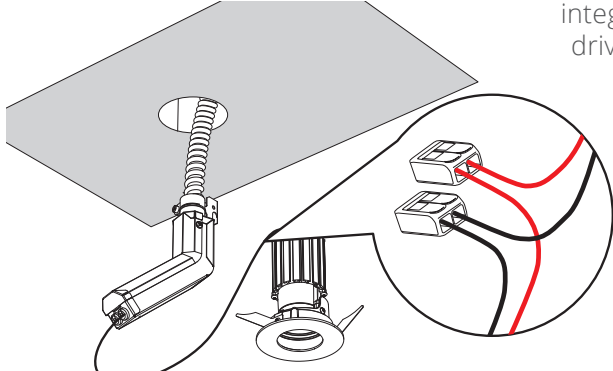
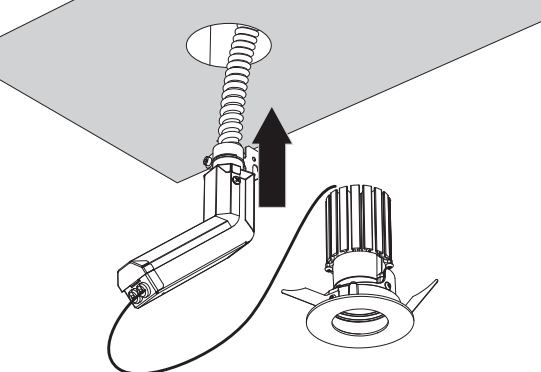
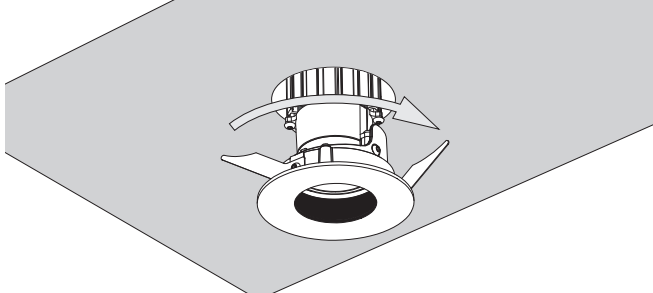
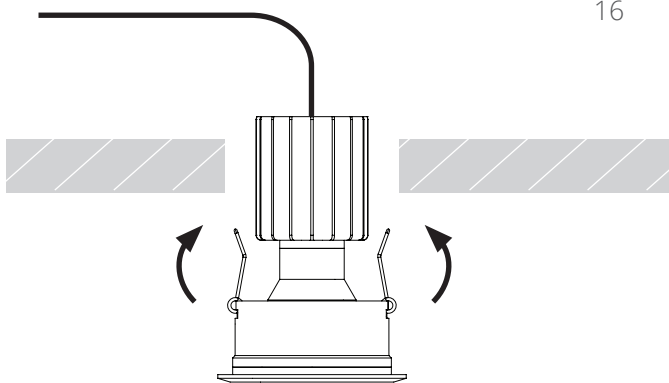
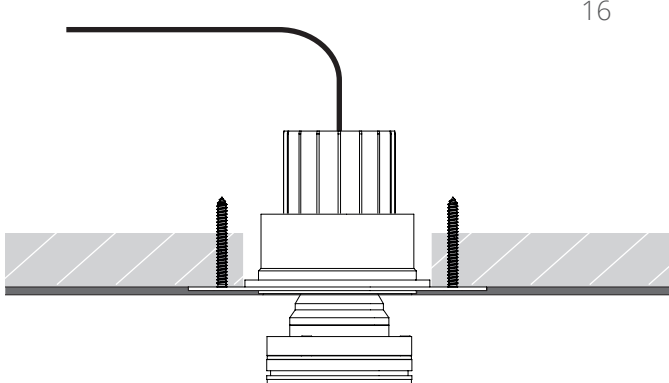
Section 2: Mud in trimless installation - For Minimo Core or Minimo 16 with flanged trim skip to section 3.

16		16	
2.1 Separate trim from fixture		2.2 Insert trim into ceiling.	
16		16	
2.3 Drill pilot hole with 9/64 bit through to plaster frame and install screws suitable for ceiling thickness.		2.4 Plaster over perforated trim, wipe away any excess inside trim.	

IMPORTANT SAFETY INFORMATION READ INSTRUCTIONS BEFORE USING PRODUCTS. SAVE THESE INSTRUCTIONS FOR LATER REFERENCE.

- Product to be installed by a qualified electrician.
 - Installations must conform to national and local codes
 - Use only with supplied power supply unit.
 - This product is suitable for dry indoor locations only.
 - Ensure product is not on same circuit as inductive loads.
 - Airtight per ASTM E283
 - Covered ceiling mount only.
 - Type IC, Inherently Protected.
- For Canada, vapor barrier must be suitable for 90°C
 - Mains supply must be off whilst installing or servicing.
 - Ensure all connections are tight and secure.
 - Use Precision Lighting optics and accessories only.
 - Luminaires may be hot, allow to cool before touching.
 - Access to serviceable electrical components should be kept available for maintenance purposes.
- Warranty
- This product must be installed in accordance with all applicable installation codes and ordinance
 Limited five (5) year warranty
 Warranty is void in the eventuality of unauthorized modifications and/or improper use.

Section 3: Driver Connection and Servicing

 <p>Junction box magnetic tether</p> <p>integral driver</p>	 <p>integral driver</p>
<p>3.1 Remove the Junction Box through the opening by fishing out magnetic tether.</p>	<p>3.2 Make all additional connections as required or for servicing the driver remove from Junction Box and reconnect. Connect luminaire to driver with quick connector.</p>
 <p>integral driver</p>	 <p>core</p>
<p>3.3 Reinsert Junction Box ensuring the Line Voltage connection and Junction Box are clear of the fixture opening.</p>	<p>3.4 - Minimo Core Insert fixture while pinching in wing brackets, twist clockwise to secure firmly into ceiling surface.</p>
 <p>16</p>	 <p>16</p>
<p>3.5 - Minimo 16 - Flanged Trim Fold back springs and insert through opening, allowing the flanged trim to mate flat with the ceiling.</p>	<p>3.5 - Minimo 16 - Mud in (Trimless) Pass module through opening until magnets snap into place and module is held secure.</p>

IMPORTANT SAFETY INFORMATION READ INSTRUCTIONS BEFORE USING PRODUCTS. SAVE THESE INSTRUCTIONS FOR LATER REFERENCE.

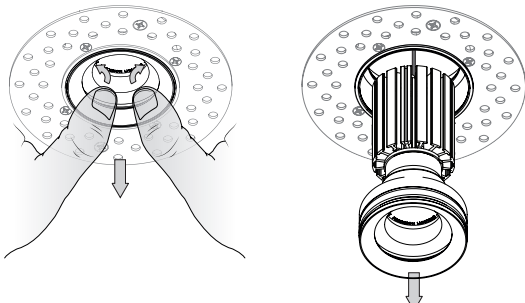
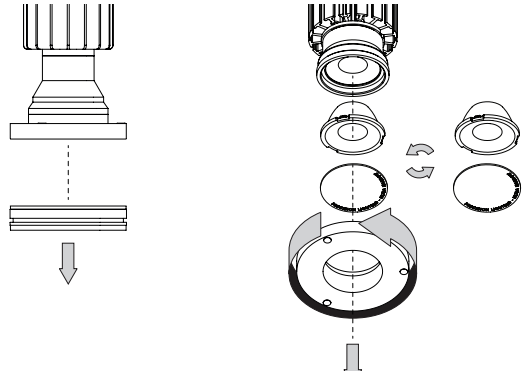
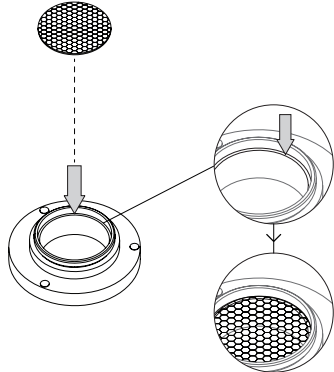
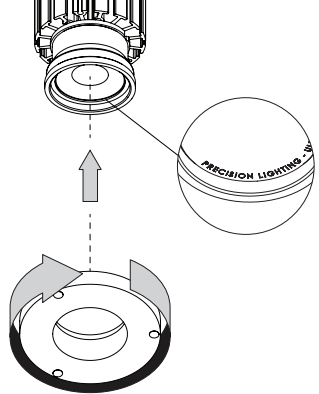
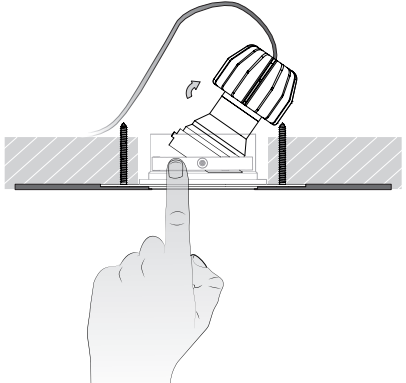
- Product to be installed by a qualified electrician.
- Installations must conform to national and local codes
- Use only with supplied power supply unit.
- This product is suitable for dry indoor locations only.
- Ensure product is not on same circuit as inductive loads.
- Airtight per ASTM E283
- Covered ceiling mount only.
- Type IC, Inherently Protected.

- For Canada, vapor barrier must be suitable for 90°C
- Mains supply must be off whilst installing or servicing.
- Ensure all connections are tight and secure.
- Use Precision Lighting optics and accessories only.
- Luminaires may be hot, allow to cool before touching.
- Access to serviceable electrical components should be kept available for maintenance purposes.

Warranty

This product must be installed in accordance with all applicable installation codes and ordinance
 Limited five (5) year warranty
 Warranty is void in the eventuality of unauthorized modifications and/or improper use.

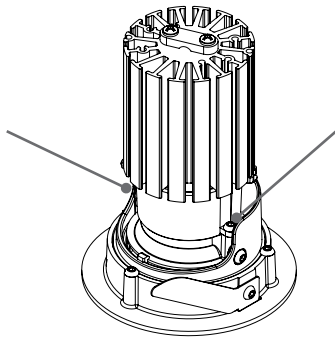
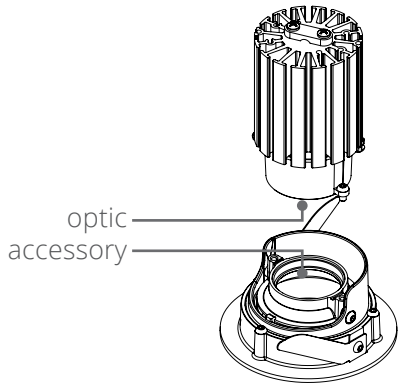
Section 4: Light Engine Maintenance and Accessories Minimo 16

 <p style="text-align: right;">16</p>	 <p style="text-align: right;">16</p>
<p>4.1 - Minimo 16 Using your thumbs pull from the inside of the aperture to release the light engine. Pull this down and out of the trim.</p>	<p>4.2 - Minimo 16 Unscrew the magnetic ring to release the optic element. Replace the optic element as desired.</p>
 <p style="text-align: right;">16</p>	 <p style="text-align: right;">16</p>
<p>4.3 - Minimo 16 With the magnetic ring removed accessories can be installed into it such as a honeycomb louver.</p>	<p>4.4 - Minimo 16 Thread magnetic ring back onto light engine. When using optic elements with printed text ensure the text is oriented so it is readable from below.</p>
	
<p>4.5 Product can be tilted and rotated by pushing on one side of the light engine as shown.</p>	

IMPORTANT SAFETY INFORMATION READ INSTRUCTIONS BEFORE USING PRODUCTS. SAVE THESE INSTRUCTIONS FOR LATER REFERENCE.

- Product to be installed by a qualified electrician.
 - Installations must conform to national and local codes
 - Use only with supplied power supply unit.
 - This product is suitable for dry indoor locations only.
 - Ensure product is not on same circuit as inductive loads.
 - Airtight per ASTM E283
 - Covered ceiling mount only.
 - Type IC, Inherently Protected.
- For Canada, vapor barrier must be suitable for 90°C
 - Mains supply must be off whilst installing or servicing.
 - Ensure all connections are tight and secure.
 - Use Precision Lighting optics and accessories only.
 - Luminaires may be hot, allow to cool before touching.
 - Access to serviceable electrical components should be kept available for maintenance purposes.
- Warranty**
- This product must be installed in accordance with all applicable installation codes and ordinance
Limited five (5) year warranty
Warranty is void in the eventuality of unauthorized modifications and/or improper use.

Section 5: Light Engine Maintenance and Accessories

 <p style="text-align: right;">core</p>	 <p style="text-align: right;">core</p>
<p>5.1 - Minimo Core With the light removed from the ceiling, use a 2mm hex key to remove the 2 button head screws. Detaching the light engine from the housing.</p>	<p>5.2 - Minimo Core Optic and accessory can be swapped over. Reattach light engine to housing.</p>