

Matrix Plus Dynamic White - Installation Instructions

Models MP-DO-DW-22K-60K & MMP-DO-DW-22K-60K



7777 N. Merrimac Ave
Niles, IL 60714
T 224.333.6033
F 224.757.7557
info@luminii.com
www.luminii.com

Please read complete instruction prior to installation and keep for future reference!

1. PRODUCT TO BE INSTALLED BY A QUALIFIED ELECTRICIAN.
2. PRIOR TO INSTALLATION ENSURE POWER IS OFF AT FUSE BOX TO PREVENT ELECTRICAL SHOCK.
3. ACCESS IS REQUIRED FOR SERVICE AND MAINTENANCE

1

Note: Matrix can be cut along the dashed lines to configure into varies configurations. Reference step 2 for additional information.

- 1.1 Clean the area thoroughly from any dust and or adhesive residue where the Matrix will be installed. Reference the sample layout on page 3 for additional information.
- 1.2 Remove the paper backing from the Matrix. Carefully stick onto the surface firmly. Make sure there are no air bubbles or ripples that can cause irregularities and affect from sticking on correctly. If adhesive not sticking well to the surface. Reference step 4 to use mounting hardware (not included).

Note: When removing the backing & placing the Matrix to the surface, avoid any ripples. As shown in FIG.1.

Matrix Plus

Matrix Plus Matrix Mini Plus

2

Note: Matrix Plus & Matrix Mini Plus can be installed in multiple configuration. 1 male adapter must be connected from 1 section to the next to work properly.

male adapter

Matrix Plus configurations

Matrix Mini Plus configurations

Matrix Plus & Matrix Mini Plus used together

Matrix Plus Dynamic White - Installation Instructions

Models MP-DO-DW-22K-60K & MMP-DO-DW-22K-60K



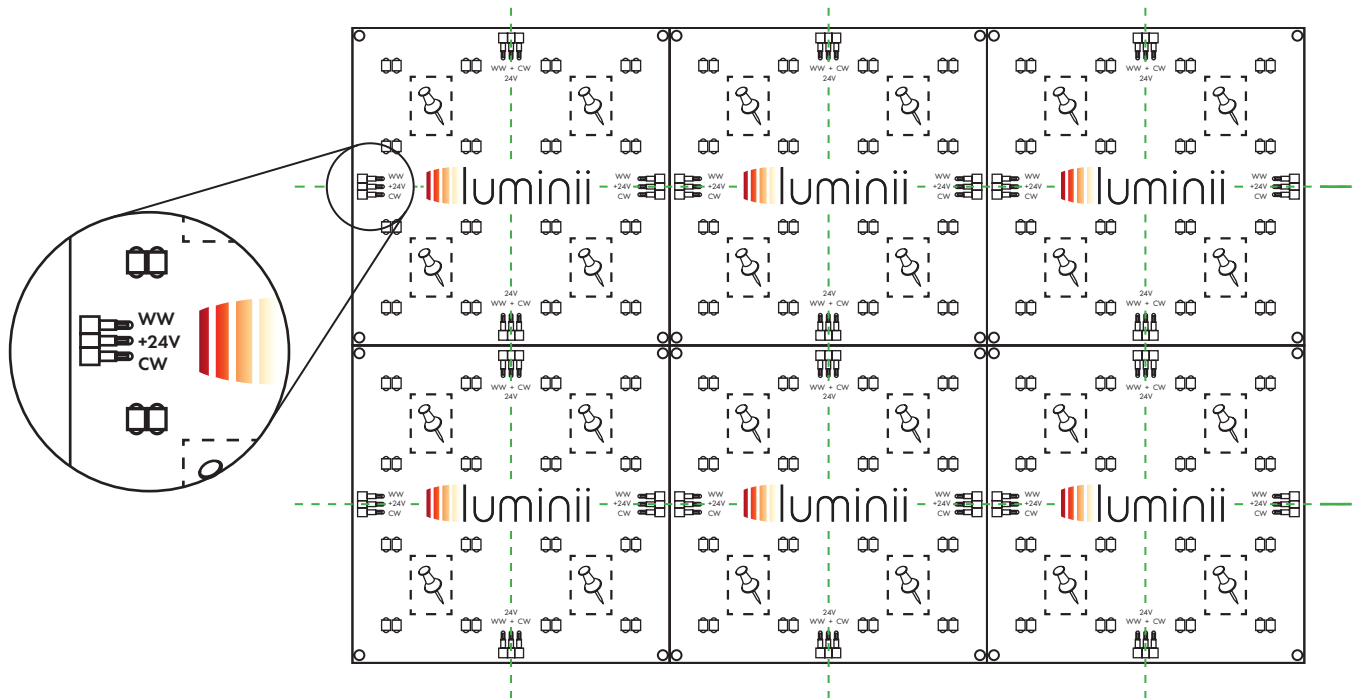
7777 N. Merrimac Ave
Niles, IL 60714
T 224.333.6033
F 224.757.7557
info@luminii.com
www.luminii.com

Please read complete instruction prior to installation and keep for future reference!

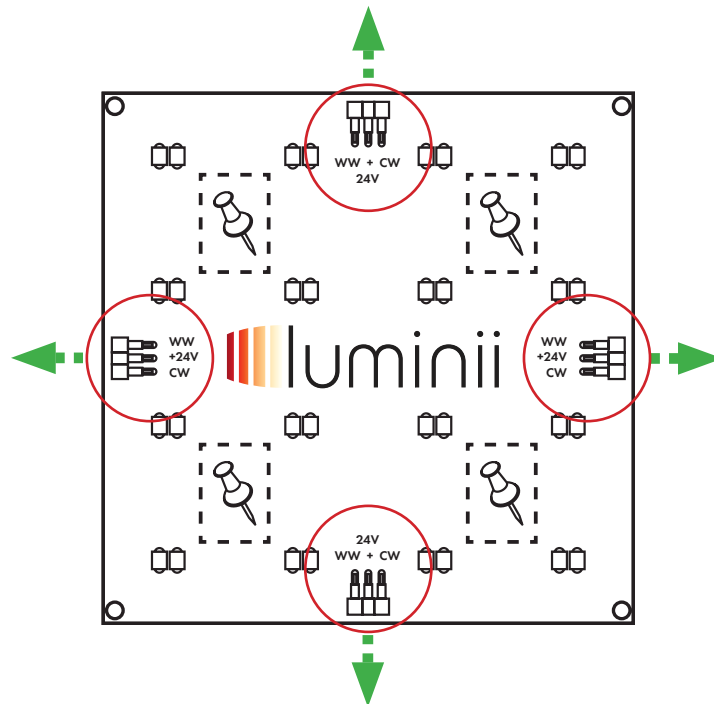
1. PRODUCT TO BE INSTALLED BY A QUALIFIED ELECTRICIAN.
2. PRIOR TO INSTALLATION ENSURE POWER IS OFF AT FUSE BOX TO PREVENT ELECTRICAL SHOCK.
3. ACCESS IS REQUIRED FOR SERVICE AND MAINTENANCE

2

Note: While Matrix Plus & Matrix Mini Plus can be installed in multiple configurations, make sure to keep polarity consistency. Warm White (WW) needs to connect to Warm White (WW) and Cool White (CW) needs to connect to Cool White (CW). The easiest way to make sure the polarity is consistent is to align the matrix pieces with the Luminii logo in the same orientation.



Note: The Matrix Plus & Matrix Mini Plus have the polarity configuration shown below. Be sure to match up the proper channels to one another.



Matrix Plus Dynamic White - Installation Instructions

Models MP-DO-DW-22K-60K & MMP-DO-DW-22K-60K



7777 N. Merrimac Ave
Niles, IL 60714
T 224.333.6033
F 224.757.7557
info@luminii.com
www.luminii.com

Please read complete instruction prior to installation and keep for future reference!

1. PRODUCT TO BE INSTALLED BY A QUALIFIED ELECTRICIAN.
2. PRIOR TO INSTALLATION ENSURE POWER IS OFF AT FUSE BOX TO PREVENT ELECTRICAL SHOCK.
3. ACCESS IS REQUIRED FOR SERVICE AND MAINTENANCE

3

3.1 Connect the power feed wire into the one of the female/male connectors that is soldered on the Matrix. By sliding and then pushing completing into the connector. Secure by placing clip (CL -1) over the connector and secure using the two screws. Reference diagram below for more details.

Matrix Plus

power feed

+ 24VDC

- Warm white

- Cool white

Matrix Plus DW power feed (part#PF-FC-72-DW-WH)

3.1

Align Matrix power feed connector pins with female end of Matrix and push-in to secure connection.

If Matrix has a male end, carefully remove the provided 3-pin connector from the Matrix power feed connector. Align Matrix power feed connector with male end of Matrix and push-in to secure connection.

Matrix power feed connector can be installed in any orientation concerning polarity since the center pin is positive and the two outer pins are negative.

Place the clip (CL -1) over the connector to secure in place.

4

OPTIONAL: There are 2 additional mounting options, when the adhesive tape is not sticking on to the surface properly. The first and easier solution is to use push-pins. Only can be used in the areas on the board outlined with a push-pin illustration. The second is to use #0 screw size with an electrical insulating polypropylene plastic washer 0.065" ID, 0.188" OD. Insert the screw/washer through the Matrix Plus mounting holes to secure Matrix properly to surface.

Matrix Plus

push-pin

screw & washer

Matrix Plus Dynamic White - Installation Instructions

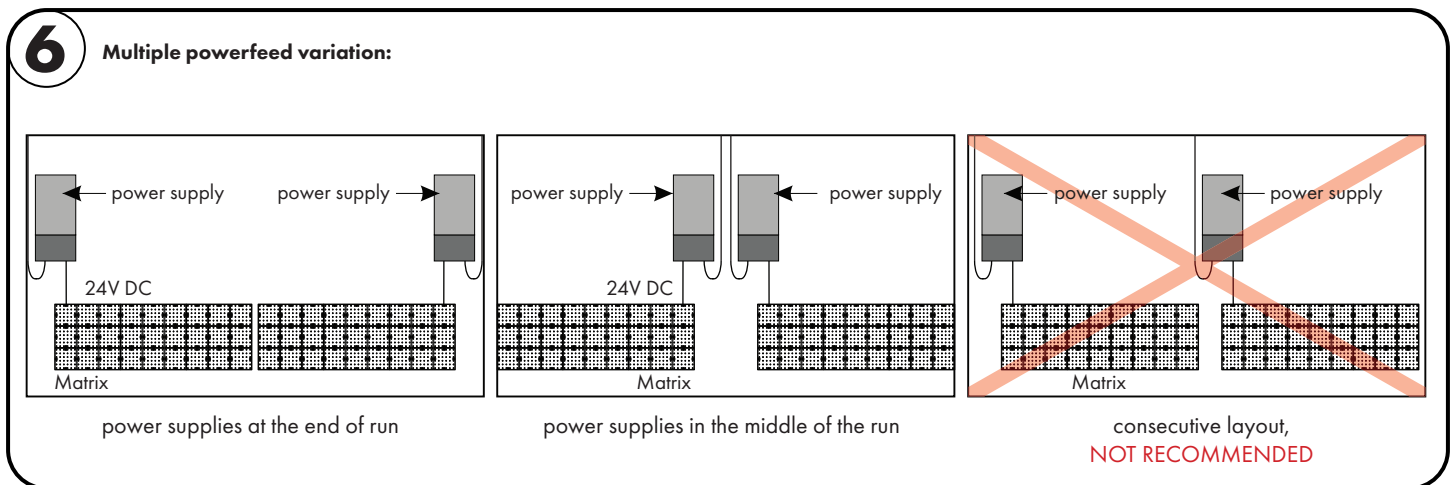
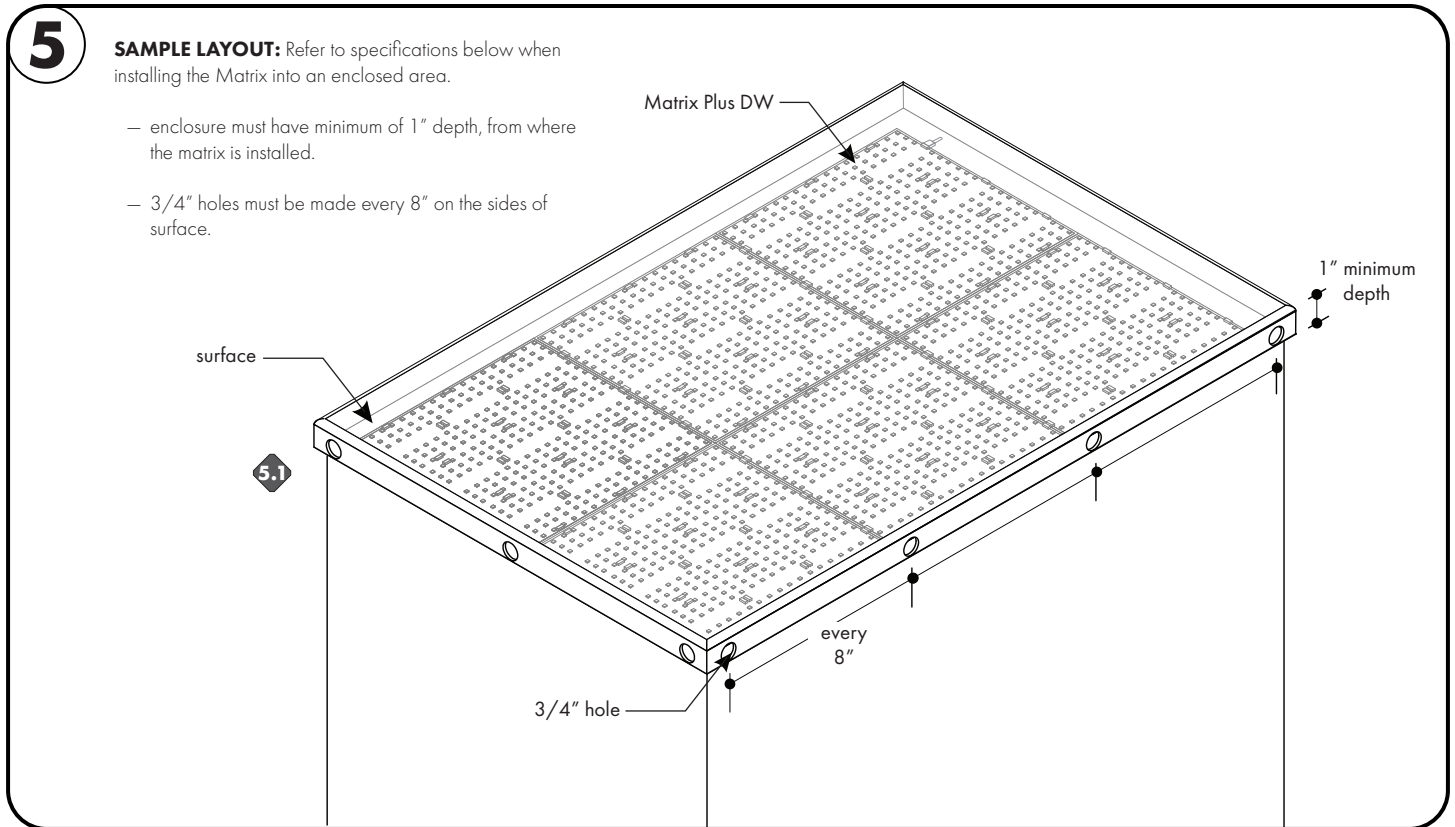
Models MP-DO-DW-22K-60K & MMP-DO-DW-22K-60K



7777 N. Merrimac Ave
Niles, IL 60714
T 224.333.6033
F 224.757.7557
info@luminii.com
www.luminii.com

Please read complete instruction prior to installation and keep for future reference!

1. PRODUCT TO BE INSTALLED BY A QUALIFIED ELECTRICIAN.
2. PRIOR TO INSTALLATION ENSURE POWER IS OFF AT FUSE BOX TO PREVENT ELECTRICAL SHOCK.
3. ACCESS IS REQUIRED FOR SERVICE AND MAINTENANCE



Matrix Plus Dynamic White - Installation Instructions

Models MP-DO-DW-22K-60K & MMP-DO-DW-22K-60K

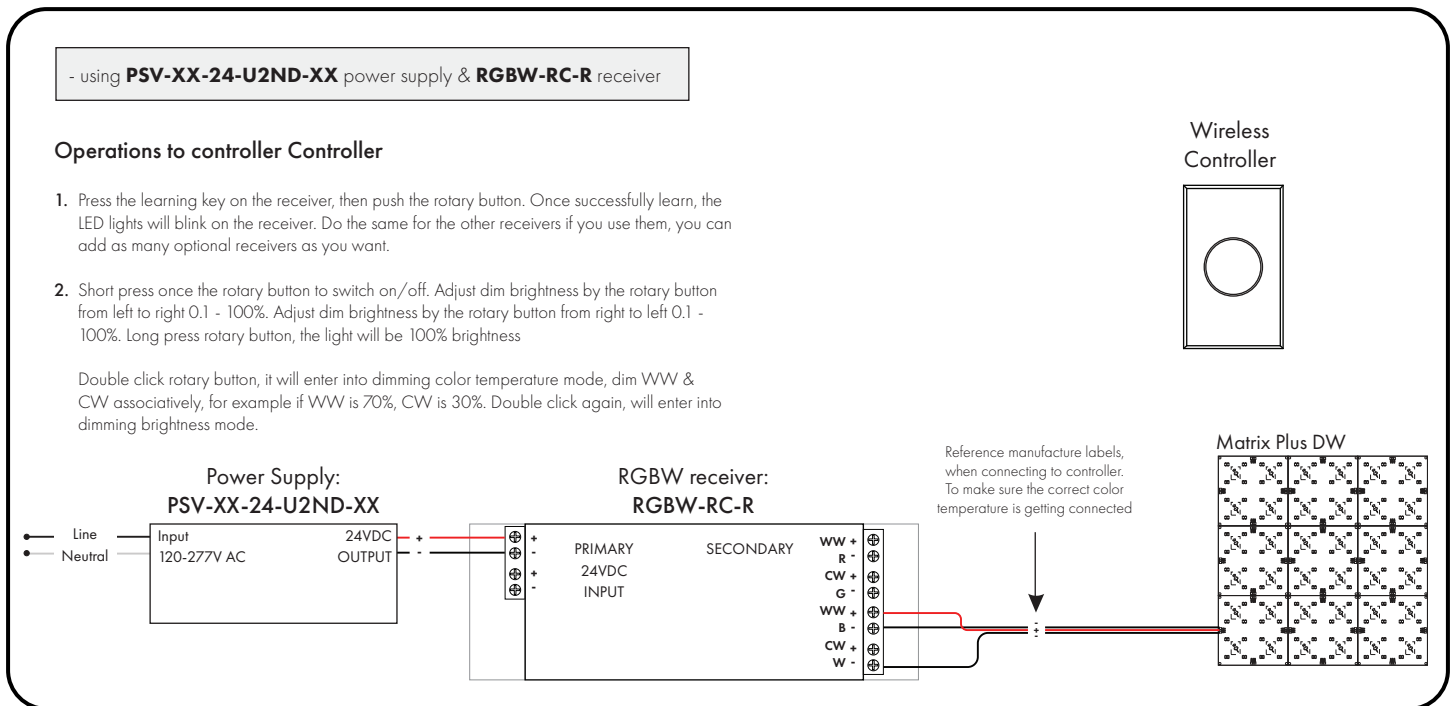
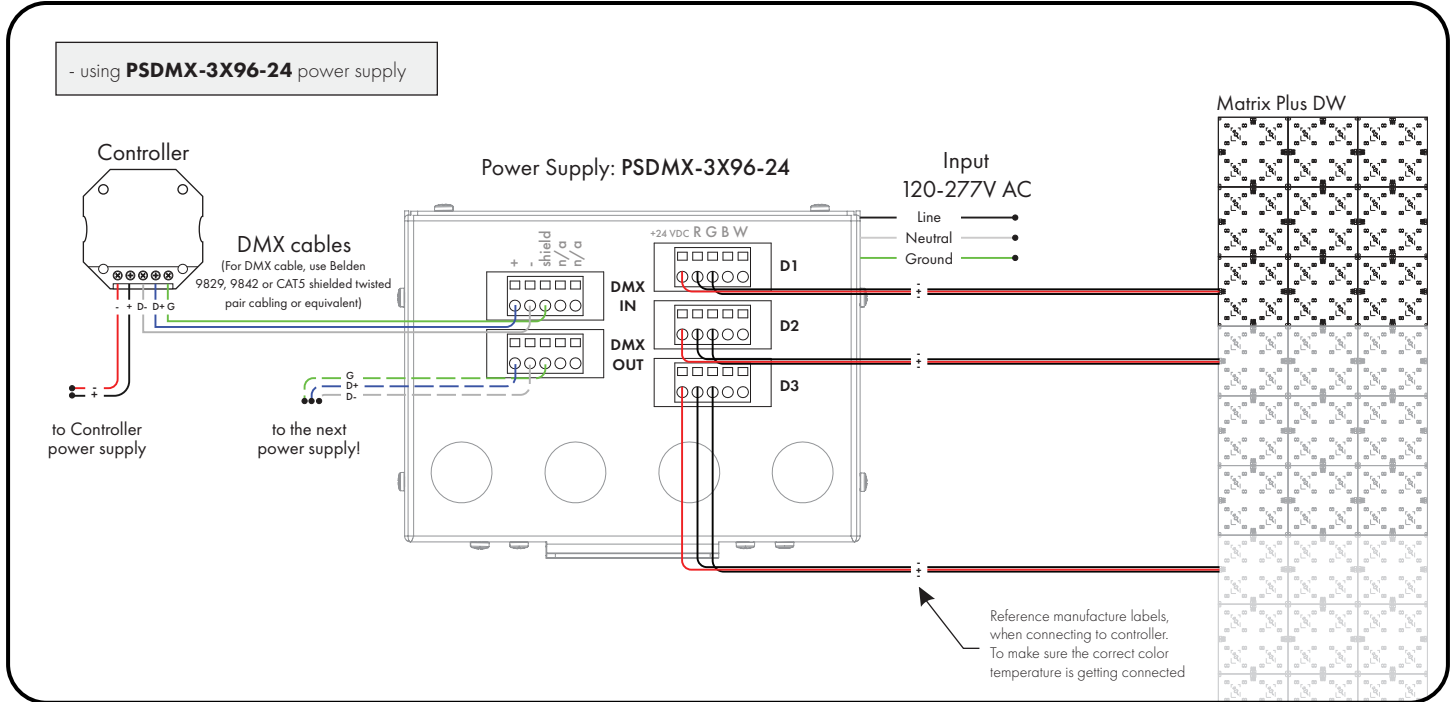


7777 N. Merrimac Ave
Niles, IL 60714
T 224.333.6033
F 224.757.7557
info@luminii.com
www.luminii.com

Please read complete instruction prior to installation and keep for future reference!

1. PRODUCT TO BE INSTALLED BY A QUALIFIED ELECTRICIAN.
2. PRIOR TO INSTALLATION ENSURE POWER IS OFF AT FUSE BOX TO PREVENT ELECTRICAL SHOCK.
3. ACCESS IS REQUIRED FOR SERVICE AND MAINTENANCE

Wiring Diagrams



Matrix Plus Dynamic White - Installation Instructions

Models MP-DO-DW-22K-60K & MMP-DO-DW-22K-60K



7777 N. Merrimac Ave
Niles, IL 60714
T 224.333.6033
F 224.757.7557
info@luminii.com
www.luminii.com

Please read complete instruction prior to installation and keep for future reference!

1. PRODUCT TO BE INSTALLED BY A QUALIFIED ELECTRICIAN.
2. PRIOR TO INSTALLATION ENSURE POWER IS OFF AT FUSE BOX TO PREVENT ELECTRICAL SHOCK.
3. ACCESS IS REQUIRED FOR SERVICE AND MAINTENANCE

Wiring Diagrams

