

LETO 44 PLUS

SUSPENDED UP/DOWN CYLINDER

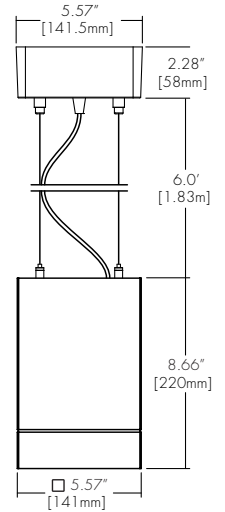
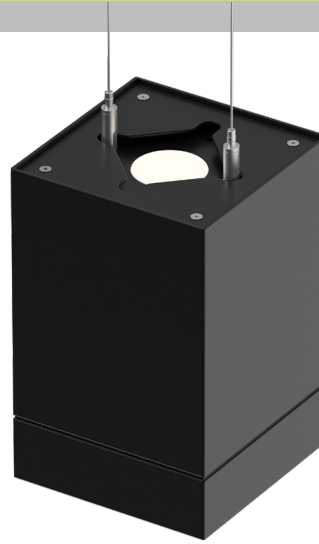


Features

- Faceted and Smooth reflectors provide beam spreads between 15° to 80°.
- Three output options available up to 1500 up and 1500 lumens down.
- Nine driver selections available to cover wide range of applications.
- Five year warranty.

Finish Options

- White
- Mocha
- Black
- Charcoal
- Silver
- Cerulean
- Firebrick



Technical Information

OUTPUT OPTIONS		0707	1010	1515
DOWN	Fixture wattage*	6.0 W	9.1 W	14.0 W
	Delivered Lumen at 3500K	625 lm	937 lm	1458 lm
	Efficacy	104 lm/W	103 lm/W	104 lm/W
	Center Beam Candpower (15° Faceted Reflector)	6569 cd	9849 cd	15325 cd
UP	Fixture wattage	7.1 W	10.9 W	15.2 W
	Delivered Lumen	585 lm	878 lm	1366 lm
	Efficacy	82 lm/W	81 lm/W	90 lm/W

CCT	Multiplier	CRI	TM-30		
			R _f	R _g	R _o
2500K	0.80	93+	93	102	50+
2700K	0.92	93+	92	100	50+
3000K	0.97	93+	92	103	50+
3500K	1.00	93+	93	102	50+
4000K	1.07	93+	92	101	50+
6500K	1.05	93+	92	101	50+

* This is wattage for up or down only.

Ordering Code

Integral Driver Example: Fixture LET44-S-M-0707-25K-F10-NA-WH-WH-SQ-WH-2AF-WH-PHSD-NA

Remote Driver Example: Fixture LET44-S-M-0707-25K-F10-NA-WH-WH-SQ-WH-2AF-WH-PHSD-NA-HRM-LET44-S-0707-25K-PHSD-NA

Fixture

MODEL	TYPE	SIZE	OUTPUT	CCT	OPTIC	OPTIC UP	ACCESSORY ¹	BODY FINISH	BAFFLE FINISH
LET44P-Leto 44 Plus	S-Suspended	M-Medium	0707-700/700 1010-1000/1000 1515-1500/1500	25K-2500K 27K-2700K 30K-3000K 35K-3500K 40K-4000K 65K-6500K	F10-10 Degree, Faceted F18-18 Degree, Faceted F30-30 Degree, Faceted F45-45 Degree, Faceted F60-60 Degree, Faceted S30-30 Degree, Smooth S45-45 Degree, Smooth S80-80 Degree, Smooth	F15-15 Degree, Faceted F24-24 Degree, Faceted F60-60 Degree, Faceted	NA-No Accessory CL-Clear Lens DL-Diffusing Lens HC-Honeycomb Louver SL-Solite Lens	Standard WH-White BK-Black SL-Silver Premium ² MA-Mocha CC-Charcoal CR-Cerulean FB-Firebrick	Standard WH-White BK-Black SL-Silver Premium ² MA-Mocha CC-Charcoal CR-Cerulean FB-Firebrick

CANOPY/ HOUSING	CANOPY FINISH	SUSPENSION TYPE	SUSPENSION FINISH	DRIVER	DRIVER OPTIONS
RD-Round SQ-Square RTL-Round Flangeless	Standard WH-White BK-Black SL-Silver Premium ² MA-Mocha CC-Charcoal CR-Cerulean FB-Firebrick	2AF-2AC + Feed Cable POA-2 Powered Aircraft, 6ft	Standard NA-None ³ CL-Clear WH-White BK-Black	PHSD-Forward/Reverse Phase, 1% Dimming, 120V Only 010S-0-10V, 1% Dimming, 120/277V 0103-0-10V, 1% Dimming, 347V Only 010L-EldoLED, 0-10V, Linear, 0.1% Dimming, 120/277V ⁴ 010G-EldoLED, 0-10V, Log, 0.1% Dimming, 120/277V ⁴ DALI-EldoLED, DALI Protocol 2, DT-6, 0.1% Dimming, 120/277V ⁴ DALI8-EldoLED, DALI Protocol 2, DT-8, 0.1% Dimming, 120/277V ⁵ LUTE-Lutron Hilume Ecodigital, 1% Dimming, 120V/277V ⁴ DMX-EldoLED, DMX, 0.1% Dimming, 120V/277V ⁵	NA-None EMG-Emergency Driver ^{5,6} CSMB-Casambi ⁷ AWNR-Athena ⁷

1 - Accessory only installed in bottom light
 2 - Premium finishes may have extended lead times. Custom RALs are available, please consult Inside Sales with specific request.
 3 - Must select NA None when POA 2 Powered Aircraft Suspension is selected.
 4 - Requires square canopy SQ for integral driver, otherwise remote mounted.

5 - All drivers remote mounted when using DALI8 driver, DMX driver, or EMG driver options.
 6 - Emergency option comes prewired from factory with driver in remote housing. 8V of continuous power provided for a minimum of 90 minutes. Must be installed within 30 feet of luminaire using 18 AWG wire. Not available with 0103, DMX, DALI8 or LUTE Driver.
 7 - AWNR/CSMB only available with 010S driver.

CONTACT FACTORY FOR MORE OPTIONS.

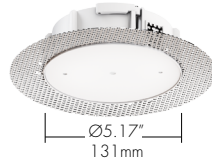
Canopy

RD Round Canopy



Integral Drivers	Remote Drivers
010S	010L
0103	010G
PHSD	DAI
	DAI8
	LUTE
	DMX

RTL Round Trimless Canopy



Integral Drivers	Remote Drivers
N/A	010S
	0103
	PHSD
	010L
	010G
	DAI
	DAI8
	LUTE
	DMX

SQ Square Canopy



Integral Drivers	Remote Drivers
010S	DAI8
0103	DMX
PHSD	
010L	
010G	
DAI	
DAI8	
LUTE	

Please see next page for Remote Driver Housing details.

Suspension

2AF 2 Aircraft + Feed Cable



POA 2 Powered Aircraft

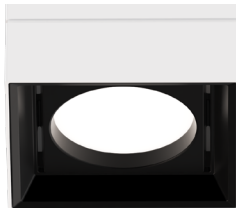


Lens

CL Clear Lens



DL Diffusing Lens



HC Honeycomb



SL Solite Lens



Optics

FXX (10°, 18°, 30°, 45°, 60°) Faceted Reflector



SXX (30°, 45°, 80°) Smooth Reflector



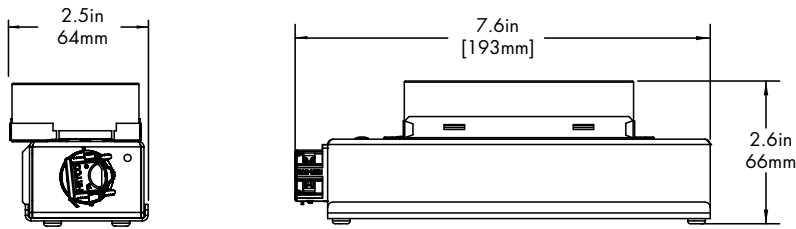
Remote Driver Housing

Depending on the options selected in the order code on page 1, a Remote Driver Housing may be required. This will automatically be generated and put on your order as necessary.

REMOTE DRIVER	MODEL	OUTPUT	CCT	DRIVER	DRIVER OPTIONS
HRM-Housing, Remote	LET44P-S-Leto 44 Plus Suspended	Same as Fixture	Same as Fixture	Same as Fixture	Same as Fixture

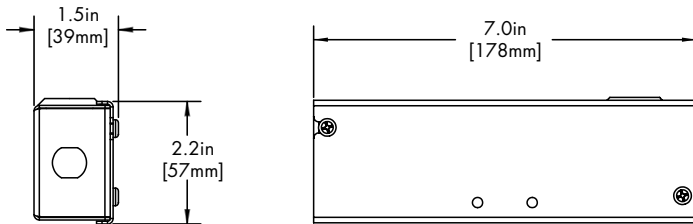
Maximum mounting distance to luminaire using 18 AWG wire								
PHSD	010S	0103	010L	010G	DALI	DALI8	LUTE	DMX
16'	16'	16'	72'	72'	72'	72'	15'	149'

HRM Single with Externally Mounted Driver



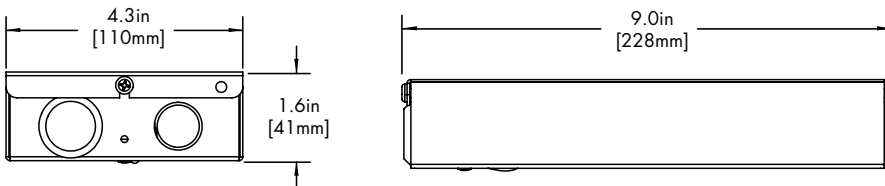
Canopy	+	Driver
RTL	+	0103
RD or RTL	+	010L
RD or RTL	+	010G
RD or RTL	+	DALI
RD or RTL	+	LUTE

HRM Single



Canopy	+	Driver
RTL	+	PHSD
RTL	+	010S

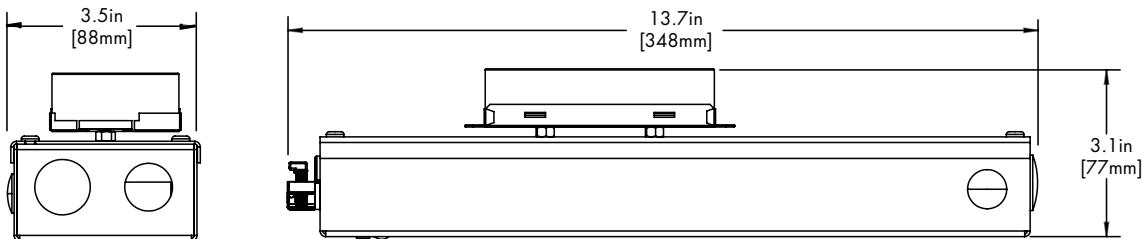
HRM Double



Driver
DALI8
DMX

EMG Emergency Driver

120 minute EMG operation time.



Driver
EMG

Standard Finish

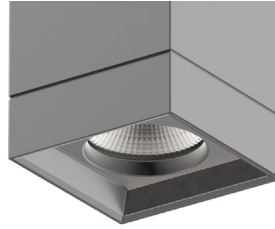
BK
Black



WH
White



SL
Silver



Premium Finish

Two tone with Black Baffle Finish. Any combination may be used for baffle and body finishes.

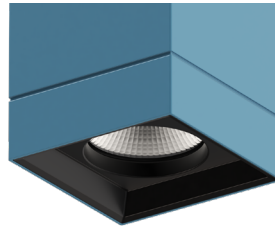
MA
Mocha



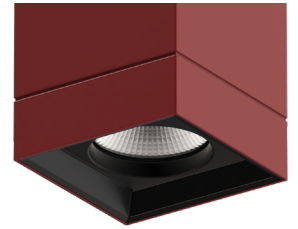
CC
Charcoal



CR
Cerulean



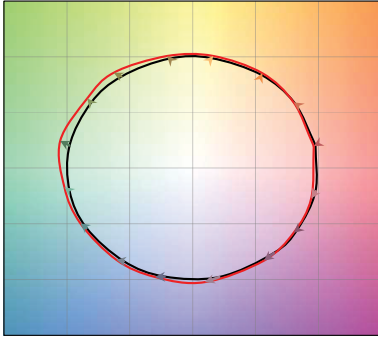
FB
Firebrick



TM-30

2500K

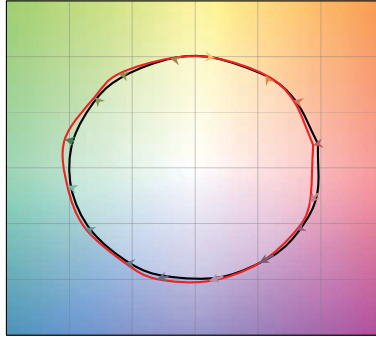
COLOR VECTOR GRAPHIC



— Reference Source — Test Source

2700K

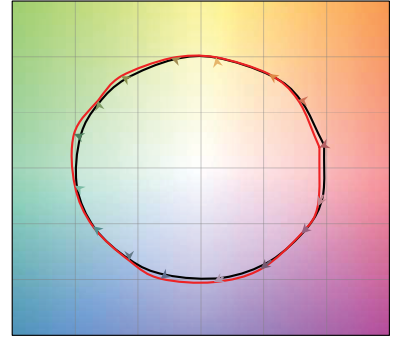
COLOR VECTOR GRAPHIC



— Reference Source — Test Source

3000K

COLOR VECTOR GRAPHIC



— Reference Source — Test Source

3500K

COLOR VECTOR GRAPHIC



— Reference Source — Test Source

4000K

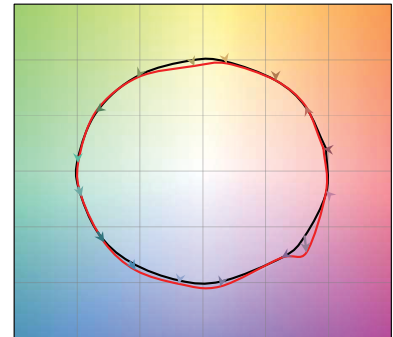
COLOR VECTOR GRAPHIC



— Reference Source — Test Source

6500K

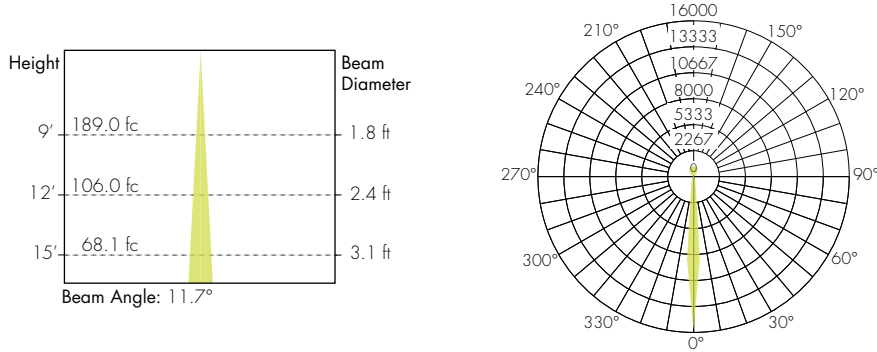
COLOR VECTOR GRAPHIC



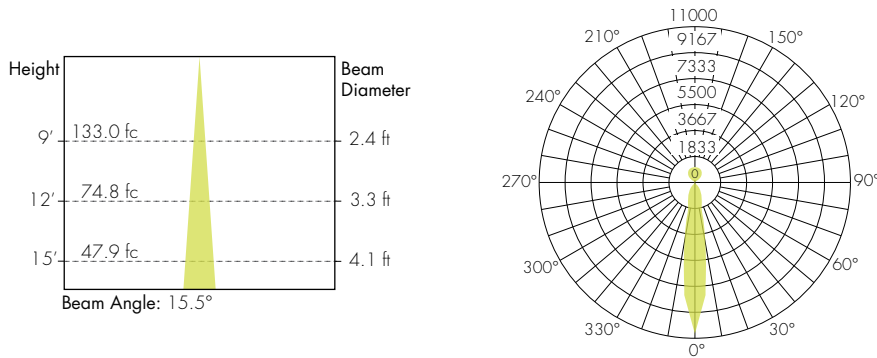
— Reference Source — Test Source

Photometry

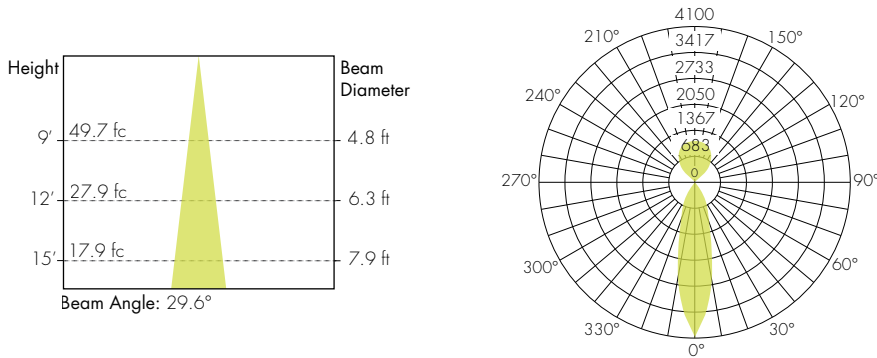
10° Faceted Reflector Down/ 60° Faceted Reflector Up



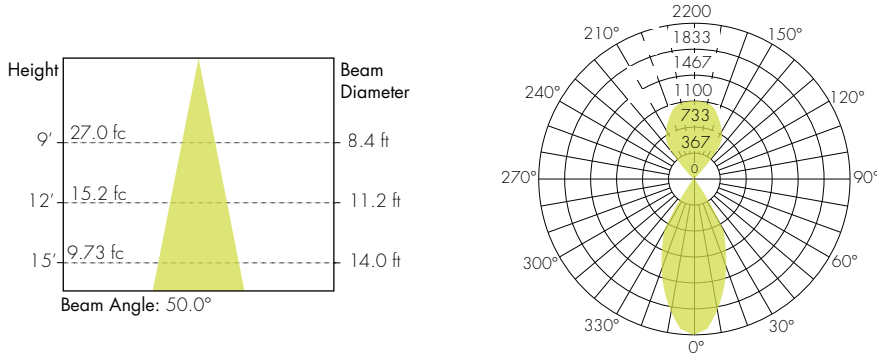
18° Faceted Reflector Down/ 60° Faceted Reflector Up



30° Faceted Reflector Down/ 60° Faceted Reflector Up

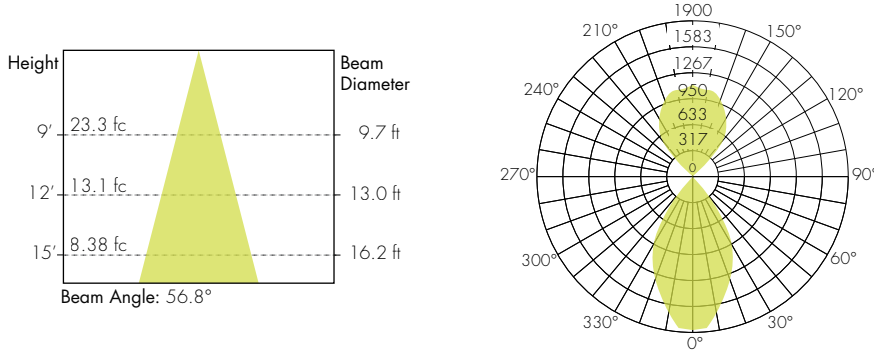


45° Faceted Reflector Down/ 60° Faceted Reflector Up

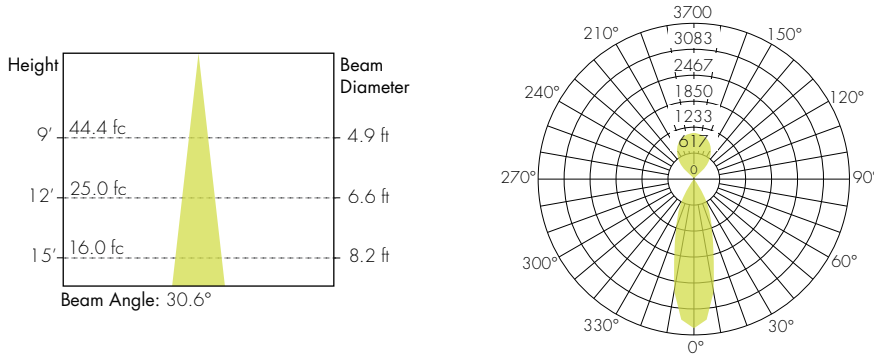


Photometry

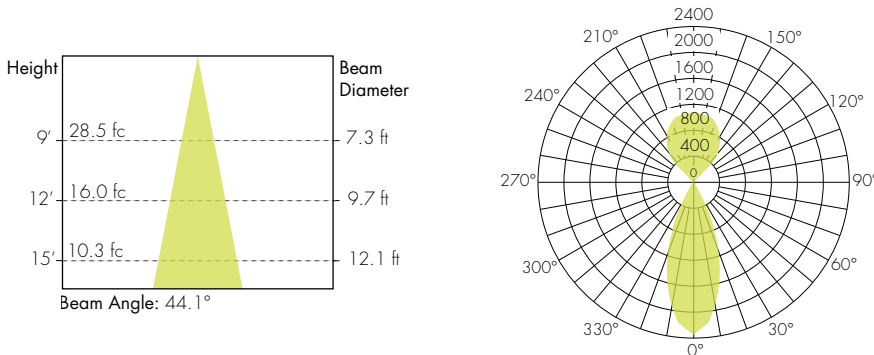
60° Faceted Reflector Down/ 60° Faceted Reflector Up



30° Smooth Reflector Down/ 60° Faceted Reflector Up



45° Smooth Reflector Down/ 60° Faceted Reflector Up



80° Smooth Reflector Down/ 60° Faceted Reflector Up

