

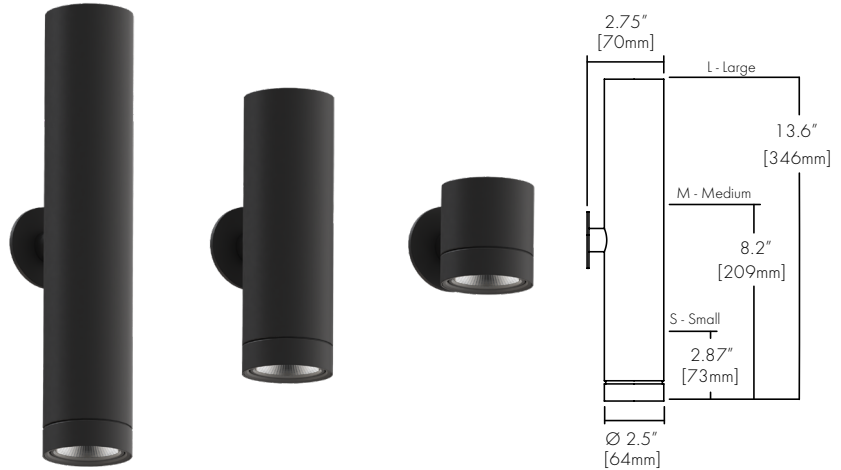
LETO 11 MINI

WALL MOUNT CYLINDER
TUNABLE WHITE & WARM DIM



Features

- Faceted metal reflectors provide beam spreads between 20° to 60°.
- Output options available up to 1500 lumens.
- Nine drivers selections available to cover wide range of applications.
- Five year warranty.



Finish Options

- White
- Silver
- Mocha
- Firebrick
- Warm Nickel
- Black
- Charcoal
- Cerulean
- Bronze
- Aged Brass

Technical Information

TYPE	WD1830		TW2765
OUTPUT OPTIONS	700 lm (S/M/L)	1000 lm (M/L)	1500 lm (M/L)
Fixture wattage	7.2 W	11.4 W	16.5 W
Delivered Lumen	819 lm	1288 lm	1617 lm
Efficacy	114 lm/W	113 lm/W	98 lm/W
Center Beam Candlepower (20° Faceted Reflector)	1689 cd	2680 cd	3464 cd

CCT	TM-30				
	CRI	R _f	R _g	R ₉	
1800K	94	90	93	61	
3000K	94	89	97	72	
2700K	91	90	96	59	
6500K	93	87	97	73	

Ordering Code

Integral Driver Example: Fixture LET11M-WM-S-07-WD1830-F20-NA-WH-WH-RDS-WH-PHSD-NA

Remote Driver Example: Fixture LET11M-WM-S-07-WD1830-F20-NA-WH-WH-RDS-WH-PHSD-NA-HRM-LET11M-WM-07-WD1830-PHSD-NA

Fixture

MODEL	TYPE	SIZE	OUTPUT	CCT	OPTIC	ACCESSORY	BODY FINISH	BAFFLE FINISH
LET11M-Leto 11 Mini	WM-Wall Mount	S-Small	07-700 lumens (7.2W)	WD1830-Warm Dim, 1800K-3000K	F20-20 Degree, Faceted F30-30 Degree, Faceted F60-60 Degree, Faceted	NA-No Accessory DL-Diffusing Lens HC-Honeycomb Louver ⁴	Standard WH-White BK-Black S-Silver Premium ³ MA-Mocha CC-Charcoal CR-Cerulean FB-Firebrick BZ-Bronze WN-Warm Nickel AB-Aged Brass	Standard WH-White BK-Black S-Silver Premium ³ MA-Mocha CC-Charcoal CR-Cerulean FB-Firebrick BZ-Bronze WN-Warm Nickel AB-Aged Brass
		M-Medium L-Large	07-700 lumens (7.2W) 10-1000 lumens (11.4W)	WD1830-Warm Dim, 1800K-3000K				
		M-Medium L-Large	15-1500 lumens (16.5W)	TW2765-Tunable White, 2700K-6500K ^{1,2}				

CANOPY/ HOUSING	CANOPY FINISH	DRIVER	DRIVER OPTIONS ⁸
-----------------	---------------	--------	-----------------------------

RDS-Round Slim
SQS-Square Slim
RDR-Round Semi-Recessed

Standard
WH-White
BK-Black
S-Silver

Premium³
MA-Mocha
CC-Charcoal
CR-Cerulean
FB-Firebrick
BZ-Bronze
WN-Warm Nickel
AB-Aged Brass

PHSD-Forward/Reverse Phase, 1% Dimming, 120V Only
010S-0-10V, 1% Dimming, 120/277V
0103-0-10V, 1% Dimming, 347V Only⁶
010L-EldoLED, 0-10V, Linear, 0.1% Dimming, 120/277V⁶
010G-EldoLED, 0-10V, Log, 0.1% Dimming, 120/277V⁶
DALI-EldoLED, DALI Protocol 2, DT-6, 0.1% Dimming, 120/277V⁶
DALI8-EldoLED, DALI Protocol 2, DT-8, 0.1% Dimming, 120/277V⁶
LUTE-Lutron Hilume Ecodigital, 1% Dimming, 120V/277V^{5,6}
DMX-EldoLED, DMX, 0.1% Dimming, 120V/277V⁶

NA-None
EMG-Emergency Driver^{6,7}

1 - TW2765 only available with Drivers 010L/010G/DALI8/DMX. Not available with EMG driver option.
2 - TW2765 requires HRM - Remote Power Supply.
3 - Premium finishes may have extended lead times. Custom RALs are available, please consult Inside Sales with specific request.
4 - Size Small is not available with accessory HC Honeycomb.
5 - LUTE driver is not available at 700 lumens.

6 - Drivers 0103/010L/010G/DALI/DALI8/DMX/LUTE/EMG are only available with HRM - Remote Power Supply.
7 - Emergency option comes prewired from factory with driver in remote housing. 8V of continuous power provided for a minimum of 90 minutes. Must be installed within 30 feet of luminaire using 18 AWG wire. Not available with 0103, DMX, DALI8 or LUTE Driver.
8 - AAVNR/CSMB available upon request.

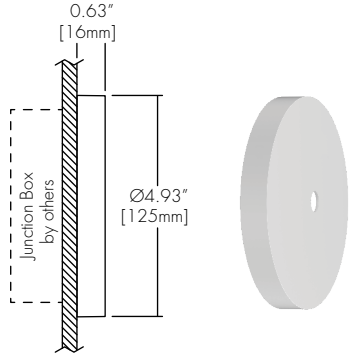
CONTACT FACTORY FOR MORE OPTIONS.

LETO 11 MINI

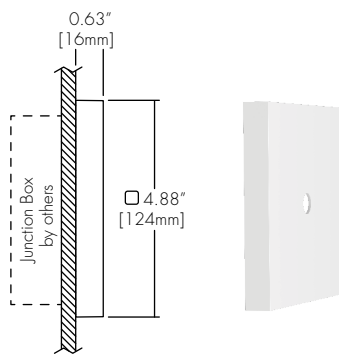
WALL MOUNT CYLINDER
TUNABLE WHITE & WARM DIM

Canopy

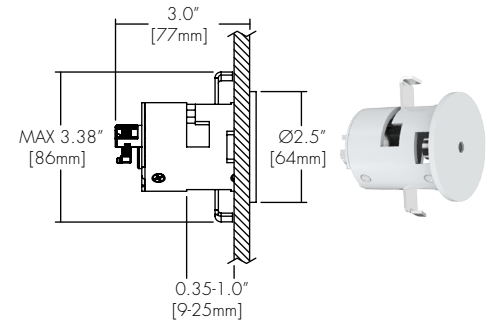
RDS
Round Slim Canopy



SQS
Square Slim Canopy



RDR
Semi-Recessed



RDS or SQS	
Integral Drivers	PHSD, 010S
Remote Drivers	0103, 010L, 010G, DALI, DALI8, LUTE, DMX

RDR	
Integral Drivers	
Remote Drivers	PHSD, 010S, 0103, 010L, 010G, DALI, DALI8, LUTE, DMX

Lens & Accessory Options

DL
Diffusing Lens



HC
Honeycomb



Optics

FXX (20°, 30°, 60°)
Faceted Reflector



LETO 11 MINI

WALL MOUNT CYLINDER
TUNABLE WHITE & WARM DIM

Remote Driver Housing

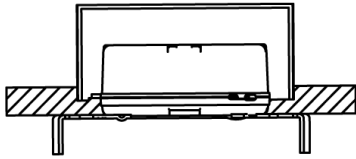
Depending on the options selected in the order code on page 1, a Remote Driver Housing may be required. This will automatically be generated and put on your order as necessary.

REMOTE DRIVER	MODEL	OUTPUT	CCT	DRIVER	DRIVER OPTIONS
HRM-Housing, Remote	LET11M-WM-Leto 11 Mini Wall Mount	Same as Fixture	Same as Fixture	Same as Fixture	Same as Fixture

Maximum mounting distance to luminaire using 18 AWG wire							
010S	0103	PHSD	010L	010G	DALI	DMX	LUTE
16'	16'	16'	72'	72'	72'	149'	15'

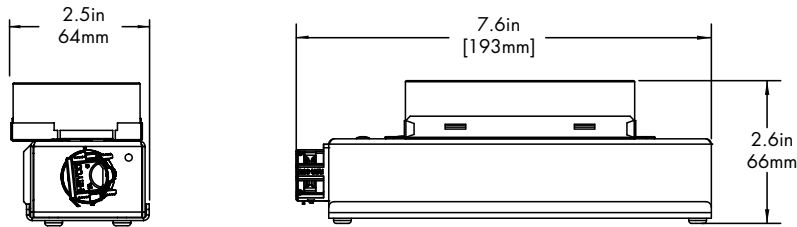
4" J-box

Minimum volume required to mount drivers in junction box: 70mm x 40mm x 30mm.



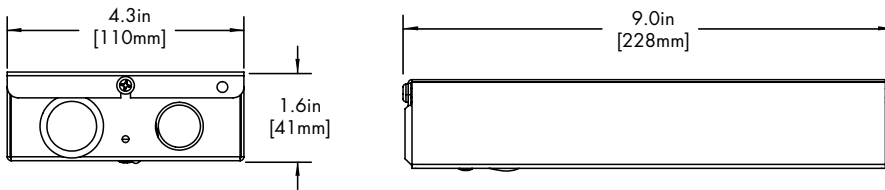
Canopy	+	Driver
RDS	+	PHSD
RDS	+	010S
SQS	+	PHSD
SQS	+	010S

HRM Single with Externally Mounted Driver



Driver
0103
010L
010G
010S
DALI
LUTE

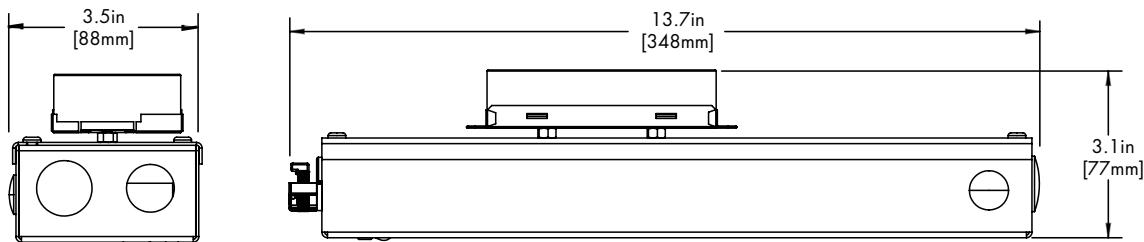
HRM Double



Driver
DALI8
DMX

EMG Emergency Driver

120 minute EMG operation time.



Driver
EMG

LETO 11 MINI

WALL MOUNT CYLINDER
TUNABLE WHITE & WARM DIM

Standard Finishes

BK
Black



WH
White



SL
Silver



Premium Finishes

MA
Mocha



CC
Charcoal



CR
Cerulean



FB
Firebrick



BZ
Bronze



WN
Warm Nickle



AB
Antique Bronze



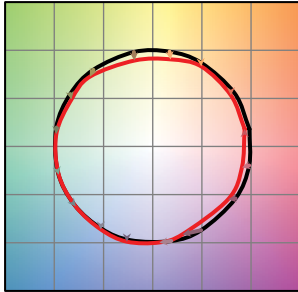
LETO 11 MINI

WALL MOUNT CYLINDER
TUNABLE WHITE & WARM DIM

TM-30

Warm Dim 1800K

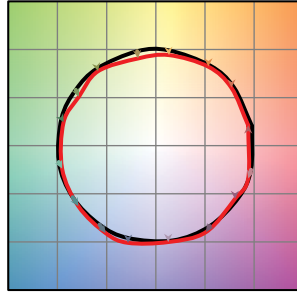
COLOR VECTOR GRAPHIC



— Reference Source — Test Source

Warm Dim 3000K

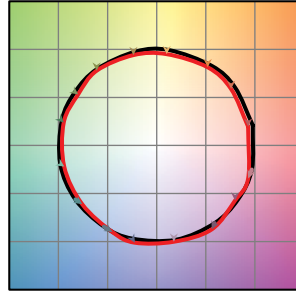
COLOR VECTOR GRAPHIC



— Reference Source — Test Source

Tunable White 2700K

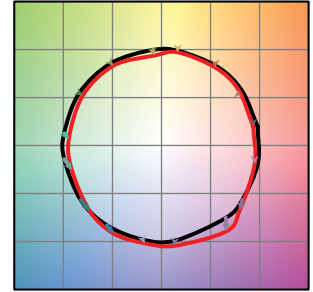
COLOR VECTOR GRAPHIC



— Reference Source — Test Source

Tunable White 6500K

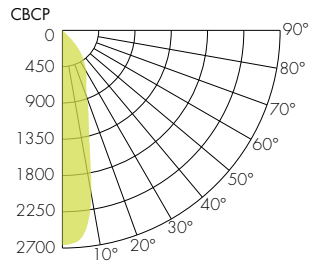
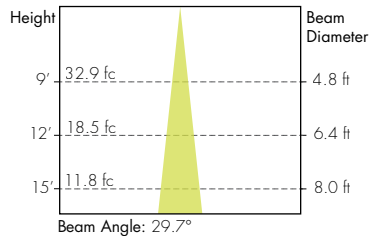
COLOR VECTOR GRAPHIC



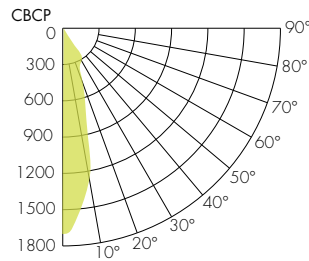
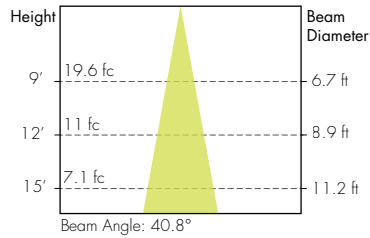
— Reference Source — Test Source

Photometry

20° Faceted Reflector



30° Faceted Reflector



60° Faceted Reflector

