

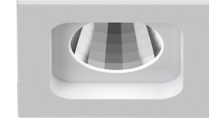
LATONA 2"

DOWNLIGHT - ADJUSTABLE
TUNABLE WHITE & WARM DIM



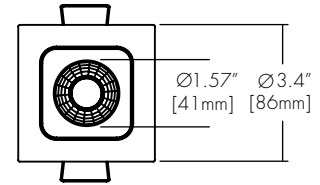
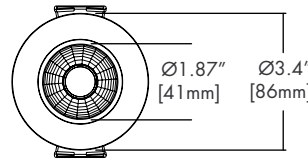
Features

- Faceted metal reflectors provide beam spreads between 20° to 60°.
- Three output options available up to 1500 lumens.
- Nine drivers selections available to cover wide range of applications.
- Five year warranty.



Finish Options

- White
- Black
- Silver



Technical Information

TYPE	WD1830			TW2765
	700 lm	1000lm	1500lm	1500lm
OUTPUT OPTIONS				
Fixture wattage	7.2 W	11.4 W	16.4 W	19.0 W
Delivered Lumen	702 lm	1125 lm	1571 lm	1575 lm
Efficacy	98 lm/W	99 lm/W	96 lm/W	83 lm/W
Center Beam Candlepower (20° Faceted Reflector)	1500 cd	2416 cd	3374 cd	3265 cd

CCT	CRI	TM-30		
		R _f	R _g	R ₉
1800K	94	90	93	61
3000K	94	89	97	72
2700K	91	90	96	59
6500K	93	87	97	73

Ordering Code

Remote Driver Example: Fixture LAT2-D-RD-TR-07-WD1830-F20-NA-VH-HRM-LAT2-D-TR-07-WD1830-PHSD-NA

Fixture

MODEL	TYPE	SHAPE	TRIM	OUTPUT	CCT	OPTIC	ACCESSORY	TRIM FINISH
LAT2 - Latona 2"	D - Downlight A - Adjustable	RD - Round SQ - Square	TR - Trimmed TL - Trimless ¹	07 - 700 lumens ² 10 - 1000 lumens ² 15 - 1500 lumens ⁶	WD1830 - Warm Dim, 1800K-3000K TW2765 - Tunable White, 2700K-6500K ^{8,9}	F20 - 20 Degree, Faceted F30 - 30 Degree, Faceted F60 - 60 Degree, Faceted	NA - No Accessory ⁷ CL - Clear Lens DL - Diffusing Lens	Standard WH - White BK - Black SL - Silver

HOUSING	MODEL	TRIM	OUTPUT	CCT	DRIVER	DRIVER OPTIONS
HRM - Remote Power Supply (Non-IC) HP - New Construction Pan (Non-IC) HIC - Housing, IC Rated	LAT2W-D - Latona 2" Downlight LAT2W-A - Latona 2" Adjustable	Same as Fixture	Same as Fixture	Same as Fixture	PHSD - Forward/Reverse Phase, 1% Dimming, 120V Only 010S - 0-10V, 1% Dimming, 120/277V 0103 - 0-10V, 1% Dimming, 347V Only ⁴ 010L - EldoLED, 0-10V, Linear, 0.1% Dimming, 120/277V ⁴ 010G - EldoLED, 0-10V, Log, 0.1% Dimming, 120/277V ⁴ DALI - EldoLED, DALI Protocol 2, DT-6, 0.1% Dimming, 120/277V ^{4,10} DALI8 - EldoLED, DALI Protocol 2, DT-8, 0.1% Dimming, 120/277V ⁴ LUTE - Lutron Hilume Ecodigital, 1% Dimming, 120V/277V ^{3,4} DMX - EldoLED, DMX, 0.1% Dimming, 120V/277V ^{4,10}	NA - None EMG - Emergency Driver ^{4,5}

1 - Housing HIC is not available with TL Trimless
2 - Housing HIC is only available with 700/1000 lumens
3 - LUTE driver is not available with 700 lumens.
4 - Drivers 0103/010L/010G/DALI/DALI8/LUTE/DMX/EMG are only available with HRM - Remote Power Supply.
5 - Emergency option comes prewired from factory with driver in remote housing. 8W of continuous power provided for a minimum of 90 minutes. Must be installed within 30 feet of luminaire using 18 AWG wire. Not available with 0103, DMX, DALI8 or LUTE Driver.

6 - TW2765 is only available with 1500 lumens.
7 - LAT2-A-RD must select NA No Accessory with WD1830/TW2765.
8 - TW2765 only available with Drivers 010L/010G/DALI8/DMX. Not available with EMG driver option.
9 - TW2765 requires HRM - Remote Power Supply.
10 - DALI/DMX are only available with TW2765 LEDs.

CONTACT FACTORY FOR MORE OPTIONS.

Round

TR
Trimmed



TL
Trimless



Lens

CL
Clear Lens



DL
Diffusing Lens



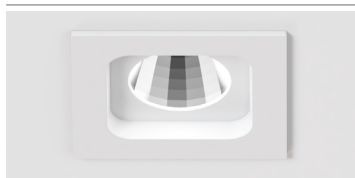
Optics

FXX (20°, 30°, 60°)
Faceted Reflector



Square

TR
Trimmed

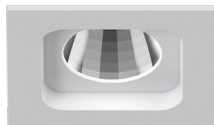


TL
Trimless



Lens

CL
Clear Lens



DL
Diffusing Lens



Optics

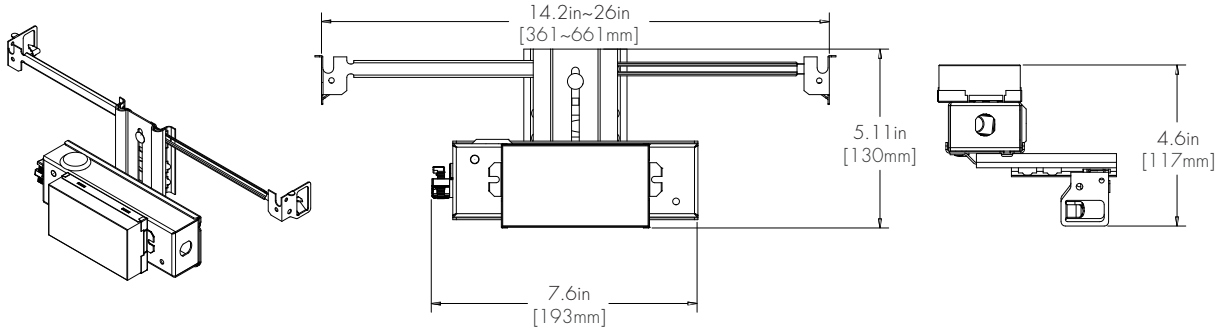
FXX (20°, 30°, 60°)
Faceted Reflector



Remote Driver Housing

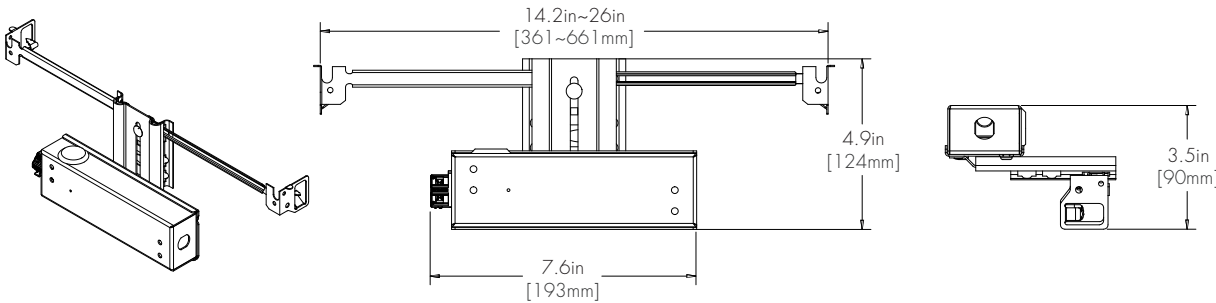
Maximum mounting distance to luminaire using 18 AWG wire								
PHSD	O10S	O103	O10L	O10G	DALI	DALI8	LUTE	DMX
16'	16'	16'	72'	72'	72'	72'	15'	149'

HRM Single with Externally Mounted Driver



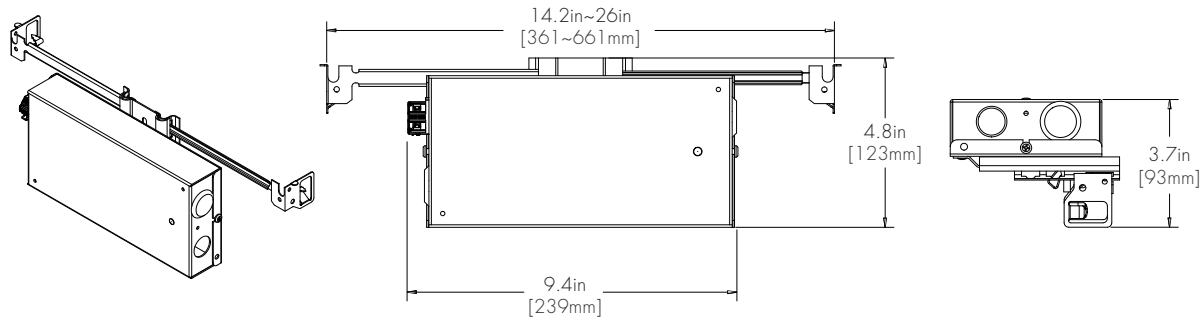
Driver	+	Driver Option
O10L	+	NA
O10G	+	NA
O10S	+	NA
DALI	+	NA
LUTE	+	NA

HRM Single



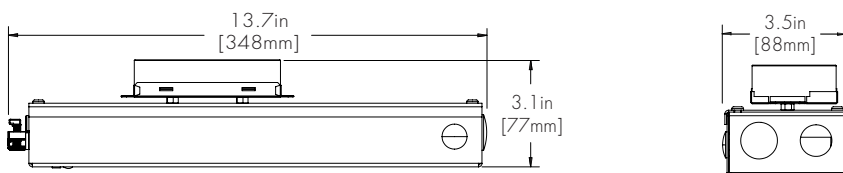
Driver	+	Driver Option
PHSD	+	NA

HRM Double



Driver	+	Driver Option
DALI8	+	NA
DMX	+	NA

EMG Emergency Driver (120 minutes EMG operation time)



Driver	+	Driver Option
O10L	+	EMG
O10G	+	EMG
O10S	+	EMG
DALI	+	EMG
PHSD	+	EMG

LATONA 2"

DOWNLIGHT - ADJUSTABLE
TUNABLE WHITE & WARM DIM

Standard Finish

BK
Black



WH
White



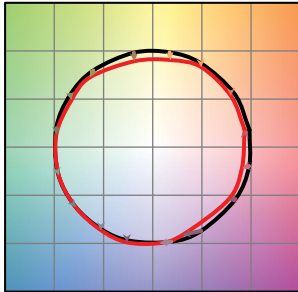
SL
Silver



TM-30

Warm Dim 1800K

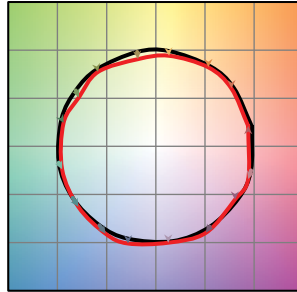
COLOR VECTOR GRAPHIC



— Reference Source — Test Source

Warm Dim 3000K

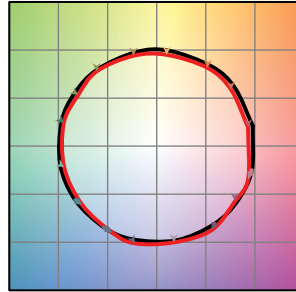
COLOR VECTOR GRAPHIC



— Reference Source — Test Source

Tunable White 2700K

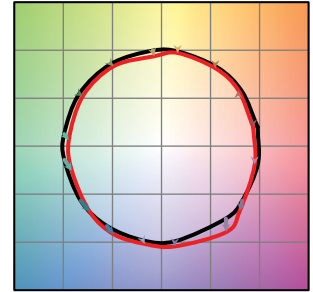
COLOR VECTOR GRAPHIC



— Reference Source — Test Source

Tunable White 6500K

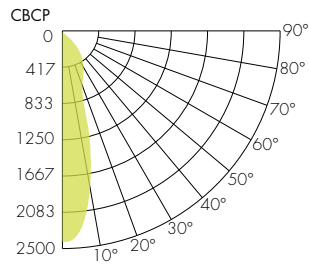
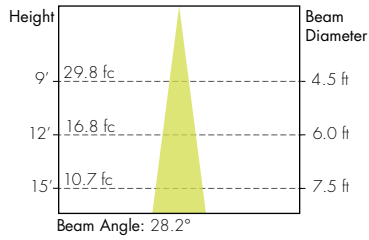
COLOR VECTOR GRAPHIC



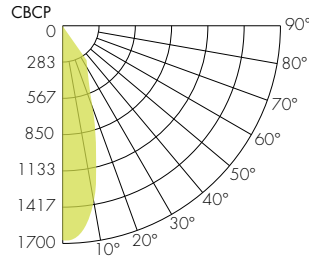
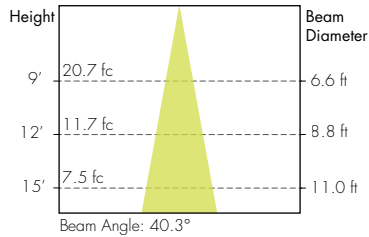
— Reference Source — Test Source

Photometry

20° Faceted Reflector



30° Faceted Reflector



60° Faceted Reflector

