

LETO 5

TRACK LED SPOTLIGHT



Leto 5 - Track Mount Spotlight. The Leto 5 spotlight track system blends style together with multiple levels of application and uses; a favorite with museums and art enthusiasts alike. It comes with fully controllable directional adjustments.

Ordering Code

Fixture **650**
 1 2 3 4 5 6

Driver
 1 2 3 4

Product Specifications

SAMPLE: Fixture **650 - A90 - 618 - 27 - 07 - 02** | Driver **STD - 120 - A90 - 07**

1 - Model	2 - LED	3 - Optic	4 - CCT	5 - Lumen	6 - Finish
650 · Leto 5 One Circuit	A90 · 93+ CRI Accuracy	618 · 18°	25 · 2500K	07 · 700 (8.2W)	01 · White
651 · Leto 5 Two Circuit		630 · 30°	27 · 2700K	10 · 1000 (11.2W)	02 · Black
649 · Leto 5 Three Circuit**		645 · 45°	30 · 3000K	15 · 1500 (18.2W)	08 · Silver
		660 · 60°	35 · 3500K		XX · Custom
			40 · 4000K		
			65 · 6500K		

1 - Driver	Dim Level	2 - Voltage	3 - LED	4 - Lumen	
STD · Non Dimming	N/A	120 · 120V	Same as Fixture	Same as Fixture	Project : _____
LCS · 0 - 10 Volt Protocol	10%	277 · 277V			Quantity : _____
DIM · Phase**	10%				Type : _____
					Notes : _____

*1 120V only

Accessories

Barn-Door

- Limits the glare and allows you to control the direction of a light beam
- Flaps can be adjusted and lock in place
- Steel construction
- Satin powder coat finish



Louver

- 95% open area with 45° cut-off
- Made from cold-rolled steel
- Black polymer coating with eggshell finish



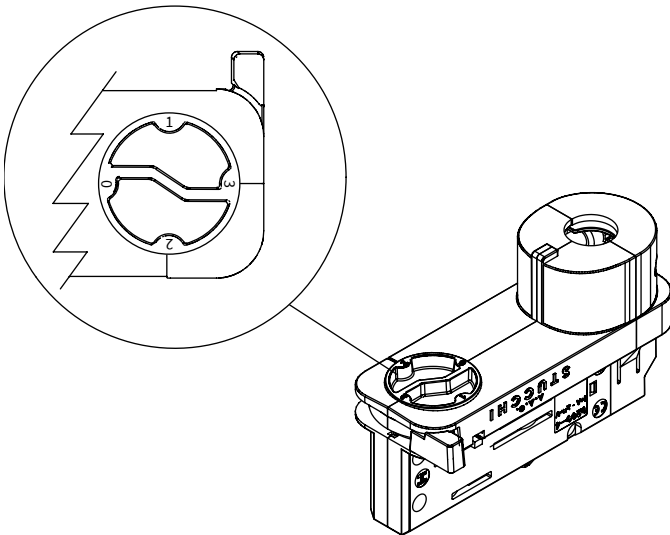
Acrylic ring

- Rigid frosted acrylic
- Creates an accent detail for subtle diffused light



1 / 2 / 3 Circuit Switch

When the track is connected to a two or three-circuit system, it is possible to select the phase (L1, L2 or L3) of each luminaire in your system using the selector under the adapter.

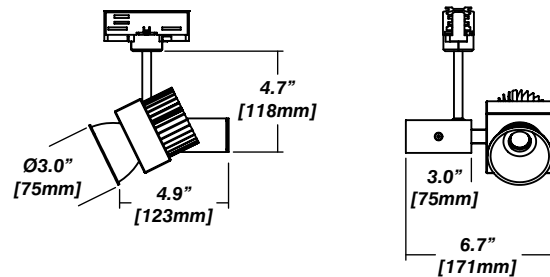


General

- 350° rotation
- 0° to 130° tilt and lock
- Includes track adapter (single or dual phase)

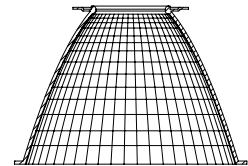
Construction / Finish

- Cast Aluminum Trim and Steel Casing
- Satin powder coat finish
- Made in Canada



Reflector

Faceted Reflector



LETO 5

TRACK LED SPOTLIGHT



Photometrics

Senso's in-house photometric testing ensures that our lighting design can match your needs precisely. Our Goniophotometer and testing lab produces on-demand photometry files based on any specified fixture, including LM-79 Test reports, IES Files, and CRI/CCT measurements. See Sensolighting.com for more information.

**Full photometric Reports and IES files available for every configuration*

Color Metrics

TM 30-15

Our clients deserve the best information possible about their lighting choices. That's why Senso has invested in the Illuminating Engineering Society (IES) TM 30-15, a new system that measures an LED light source's color rendering properties. Using Senso's state-of-the-art goniophotometer, this method identifies the optimal light source for your project and helps evaluate the trade-offs between efficacy and color rendering. Senso can provide TM 30-15 data for all of our products.

**Full Color Metric Info Available at Sensolighting.com*

LED Module Performance

Output: Up to 89 lumen/Watt

Efficacy: Color consistency within a 3-MacAdam Ellipse

CCT: 2500K - 6500K

Color Rendering: 93+ CRI

Min. R Values: R⁹ - 60 R¹ - 90 R^a - 100

Driver and Power Consumption

Dimming: 1% dimming standard with 0.1% option

Casambi wireless control available

Ripple: Industry leading Low ripple

Efficiency: Power Factor >0.9

Efficiency over 85%

Class 2 output for safety

Installation: Remote mounted

Lumen Option	700lm	1000lm	1500lm
Fixture Wattage	8.2W	11.2W	18.2W
Delivered Lumen	723lm	1015lm	1537lm