

LETO 44 PLUS WM MID

WALL MOUNT LED DOWNLIGHT



Leto 44 Plus WM MID - Wall Mount LED Light. Leto 44 Plus WM MID is a wall mounted cylinder LED fixture designed to provide a space with indirect lighting. It is the perfect solution for creating subtle light in your space.

Ordering Code

| | | | | | | | | |
|---------|------------|---|----|----|---|---|---|---|
| Fixture | 711 | | | | | | | |
| | 1 | 2 | 3 | 4 | 5 | 6 | 7 | 8 |
| Driver | | | -- | -- | | | | |
| | 1 | 2 | 3 | 4 | | | | |

Product Specifications

SAMPLE: Fixture **711 - A90 - 610 - 27 - 07 - AR - 08 - 02** | Driver **STD - 120 - A90 - 07**

| 1 - Model | 2 - LED | 3 - Optic | 4 - CCT | 5 - Lumen | 6 - Accessory |
|---|-------------------------------|--|---|---|--|
| 711 · Leto 44 Plus Medium Wall Mount | A90 · 93+ CRI Accuracy | <i>Faceted</i> 610 · 10° 618 · 18° 630 · 30° 645 · 45° 660 · 60° | <i>Smooth</i> 630S · 30° 645S · 45° 25 · 2500K 27 · 2700K 30 · 3000K 35 · 3500K 40 · 4000K 65 · 6500K | 07 · 700 (6.1W) 10 · 1000 (9.1W) 15 · 1500 (14W) 20 · 2000 (19.8W) | 00 · No Accessory DL · Diffusing Lens HO · Honeycomb SL · Solite Lens |

| 7 - Body Color | | 8 - Baffle Color | | 1 - Driver | | Dim Level | |
|---|---|---|---|---|---------------------------------|--|----------|
| <i>Standard</i> 01 · White 02 · Black 08 · Silver | <i>Premium</i> 52 · Mocha 53 · Charcoal 54 · Cerulean 55 · Firebrick XX · RAL | <i>Standard</i> 01 · White 02 · Black 08 · Silver | <i>Premium</i> 52 · Mocha 53 · Charcoal 54 · Cerulean 55 · Firebrick XX · RAL | STD · Non Dimming LCS · 0 - 10 Volt Protocol DIM · Phase*1 ELDOLC · EldoLED 0 - 10 Volt DALI · Dali Protocol | N/A 1% 1% 0.1% 0.1% | LUTES · Hilume Ecodigital LUT2W · 2 Wire for phase*1 DMX · Senso EMG · Emergency Driver*2/3 CSMB · Casambi Wireless Control*2/3 | 1% 1% |

| 2 - Voltage | 3 - LED | 4 - Lumen | | |
|---|-----------------|-----------------|---|--|
| 120 · 120V 277 · 277V 347 · 347V*2/4 | Same as Fixture | Same as Fixture | *1 120V only *2 remote mount *3 second driver required *4 not available with ELDO, Lutron or DMX | Project : _____ Quantity : _____ Type : _____ Notes : _____ |

LETO 44 PLUS WM MID

WALL MOUNT LED DOWNLIGHT

Reflector

Faceted Reflector

Senso metal spun faceted reflectors are specifically designed to retain as much light as possible. This results in a more power efficient fixture with a higher delivered lumen.



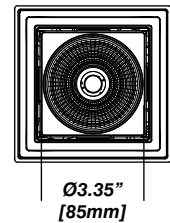
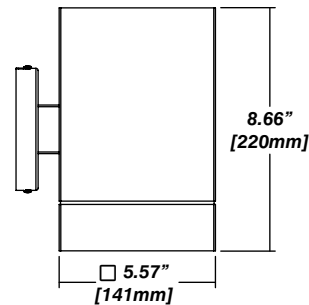
Installation

- Mounting plate included
- Easy, single motion installation method

Construction / Finish

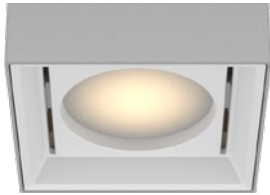
- High quality, scratch resistant powder coated finish in standard, premium or custom colors
- Aluminum extruded Body
- Made in Canada

Dimensions

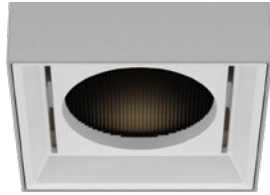


Accessories

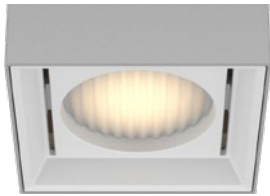
Diffusing Lens



Honeycomb Mesh



Solite Lens



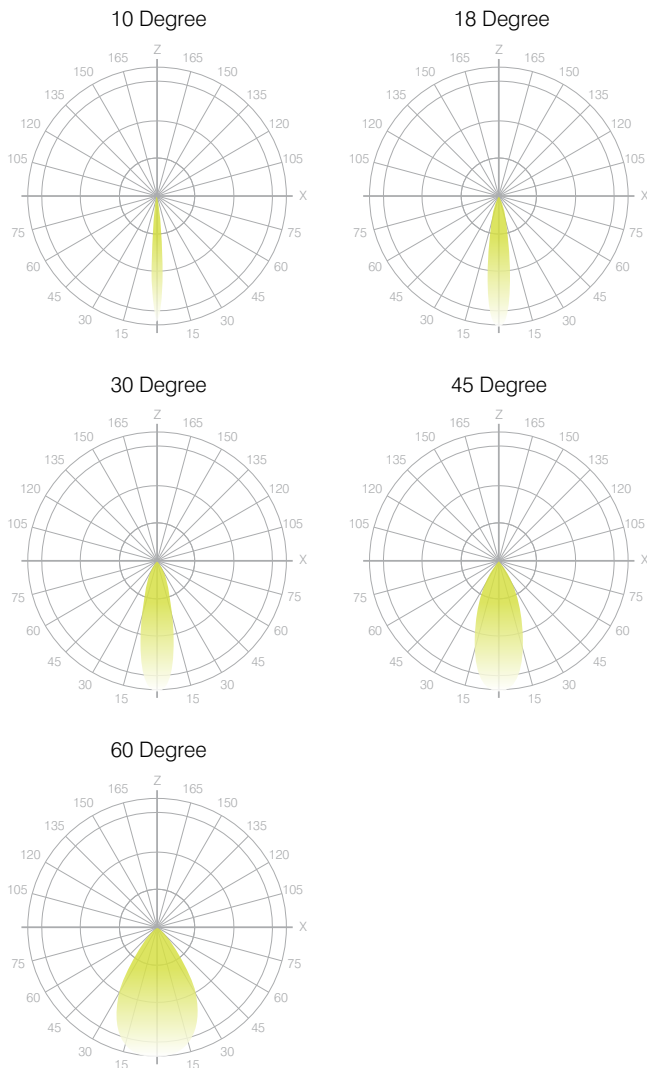
LETO 44 PLUS WM MID

WALL MOUNT LED DOWNLIGHT

Senso's in-house photometric testing ensures that our lighting design can match your needs precisely. Our Goniophotometer and testing lab produces on-demand photometry files based on any specified fixture, including LM-79 Test reports, IES Files, and CRI/CCT measurements. See Sensolighting.com for more information.

**Full photometric Reports and IES files available for every configuration*

Leto 44 Light Distribution



Color Metrics

TM 30-15

Our clients deserve the best information possible about their lighting choices. That's why Senso has invested in the Illuminating Engineering Society (IES) TM 30-15, a new system that measures an LED light source's color rendering properties. Using Senso's state-of-the-art goniophotometer, this method identifies the optimal light source for your project and helps evaluate the trade-offs between efficacy and color rendering. Senso can provide TM 30-15 data for all of our products.

**Full Color Metric Info Available at Sensolighting.com*

LED Module Performance

Output: Up to 110 lumen/Watt

Efficacy: Color consistency within a 3-MacAdam Ellipse

CCT: 2500K - 6500K

Color Rendering: 93+ CRI

Min. R Values: R⁹ - 60 R^f - 90 R^a - 100

Driver and Power Consumption

Dimming: 1% dimming standard with 0.1% option

Casambi wireless control available

Ripple: Industry leading Low ripple

Efficiency: Power Factor >0.9

Efficiency over 85%

Class 2 output for safety

Installation: Canopy or remote mounted

| Lumen Option | 700lm | 1000lm | 1500lm | 2000lm |
|-----------------|-------|--------|--------|--------|
| Fixture Wattage | 6.1W | 9.1W | 14W | 19.8W |
| Delivered Lumen | 656lm | 1035lm | 1539lm | 1917lm |