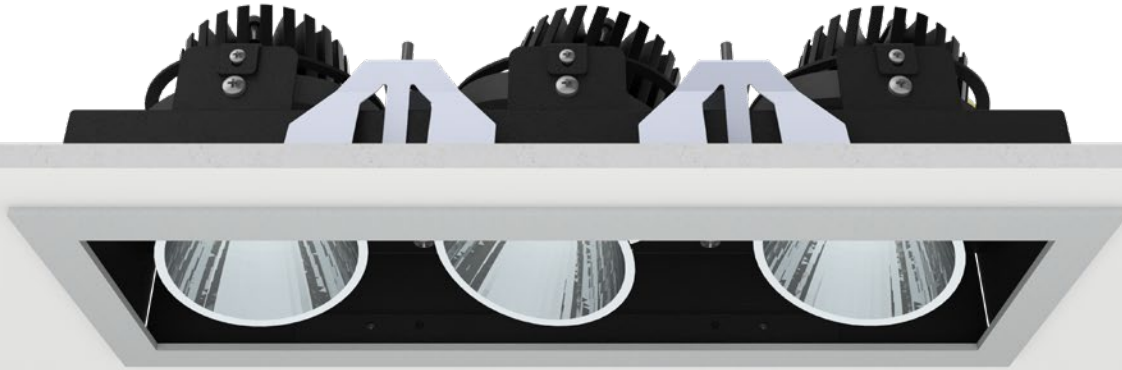


LETO 1 Triple

ADJUSTABLE RECESSED LED DOWNLIGHT



Leto 1 Triple - Adjustable Recessed LED Downlight. The LETO 1 Triple is a 3 light version of the LETO 1 Single recessed LED fixture. Designed to be architecturally pleasing, it is fully adjustable up to 30°. It can be used for general light application, or to highlight specific design areas while remaining consistent with the LETO 1 Single and Double.

Ordering Code

Fixture	672					
	1	2	3	4	5	6
Driver		672			--	--
	1	2	3	4	5	6

Product Specifications

SAMPLE: Fixture **672 - A90 - 618 - 27 - 07 - 01** | Driver **910 - 672 - STD - 120 - A90 - 07**

1 - Model	2 - LED	3 - Reflector	4 - CCT	5 - Lumen	6 - Finish	1 - Housing Style
672 · Leto 1 Triple	A90 · 93+ CRI Accuracy	618 · 18° 630 · 30° 645 · 45° 660 · 60°	25 · 2500K 27 · 2700K 30 · 3000K 35 · 3500K 40 · 4000K 65 · 6500K	07 · 700 (8.2W) 10 · 1000 (12.1W) 15 · 1500 (16.4W) 20 · 2000 (24.9W) 30 · 3000 (31.8W) <i>Lumen and wattage per head</i>	01 · White 02 · Black 08 · Silver XX · Custom	910 · Remote 915 · New Construction

2 - Model	3 - Driver	Dim Level	Dim Level	4 - Line Voltage	5 - LED	6 - Lumen
672 · Leto 1 Triple	STD · Non Dimming LCS · 0 - 10 Volt Protocol DIM · Phase*1 ELDOLC · EldoLED 0 - 10 Volt*2 DALI · Dali Protocol*2	N/A 1% 1% 0.1% 0.1%	LUTES · Hilume Ecodigital*2 LUT2W · 2 Wire for phase*2 DMX · SENSO*2 EMG · Emergency Driver*2/3 CSMB · Casambi Wireless Control*2/3	1% 1% 120 · 120V 277 · 277V 347 · 347V*4	Same as Fixture	Same as Fixture

*1 120V only
*2 Requires remote housing
*3 Specified separately
*4 Not available with ELDO, Lutron or DMX

Project : _____
Quantity : _____
Type : _____
Notes : _____



LETO 1 Triple

ADJUSTABLE RECESSED LED DOWNLIGHT



Photometrics

Senso's in-house photometric testing ensures that our lighting design can match your needs precisely. Our Goniophotometer and testing lab produces on-demand photometry files based on any specified fixture, including LM-79 Test reports, IES Files, and CRI/CCT measurements. See Sensolighting.com for more information.

**Full photometric Reports and IES files available for every configuration*

Color Metrics

TM 30-15

Our clients deserve the best information possible about their lighting choices. That's why Senso has invested in the Illuminating Engineering Society (IES) TM 30-15, a new system that measures an LED light source's color rendering properties. Using Senso's state-of-the-art goniophotometer, this method identifies the optimal light source for your project and helps evaluate the trade-offs between efficacy and color rendering. Senso can provide TM 30-15 data for all of our products.

**Full Color Metric Info Available at Sensolighting.com*

LED Module Performance

Output: Up to 93 lumen/Watt

Efficacy: Color consistency within a 3-MacAdam Ellipse

CCT: 2500K - 6500K

Color Rendering: 93+ CRI

Min. R Values: R⁹ - 60 R^f - 90 R⁹ - 100

Driver and Power Consumption

Dimming: 1% dimming standard with 0.1% option
Casambi wireless control available

Ripple: Industry leading Low ripple

Efficiency: Power Factor >0.9
Efficiency over 85%
Class 2 output for safety

Installation: Remote mounted

Lumen Option	700lm	1000lm	1500lm	2000lm	3000lm
Fixture Wattage	8.2W	12.1W	16.4W	24.9W	31.8W
Delivered Lumen	765lm	1130lm	1452lm	2023lm	3002lm

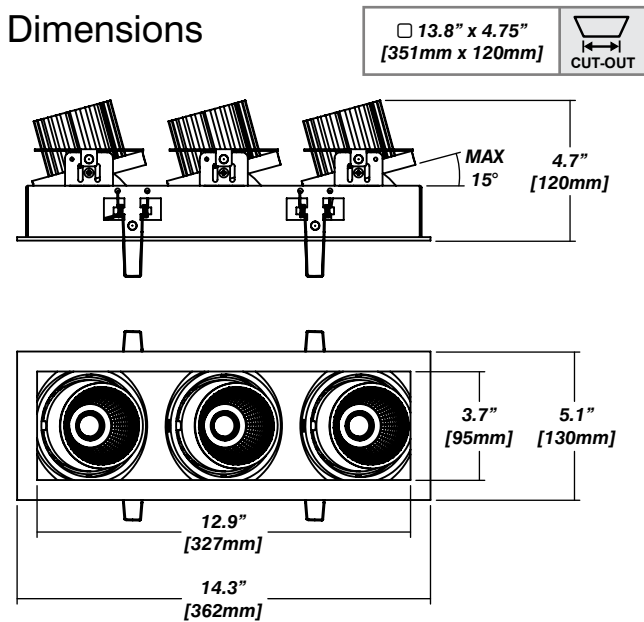
Installation

- For new and retrofit installations
- Holds in place with four spring clips
- Fully 30° angle adjustable spot, 360° rotation
- Simple connection between fixture and driver via quick connect
- Available for wet rated in single version.

Construction / Finish

- Custom finishes are available
- Cast Aluminum Trim and Steel Casing
- Rated for damp location
- Made in Canada

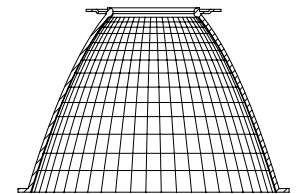
Dimensions



Reflector

Faceted Reflector

Senso metal spun reflectors for function, low glare and efficiency

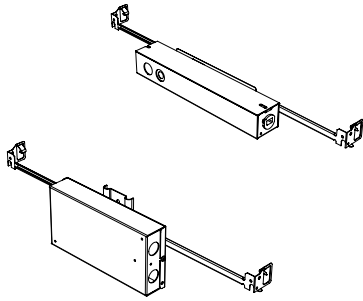


LETO 1 Triple

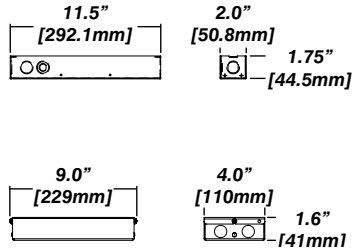
ADJUSTABLE RECESSED LED DOWNLIGHT



Standard Senso Housing - 910



Dimension



Included

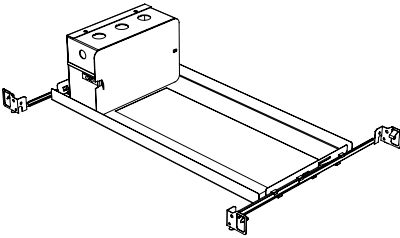
Unless specified otherwise, this is provided as standard

- Bar hanger** • Length: from 14-3/16" to 26"
- Driver with enclosure** • Galvanized steel enclosure
- Security wire** • Flexible aircraft cable, 12" long
- Easy to clip snap body included

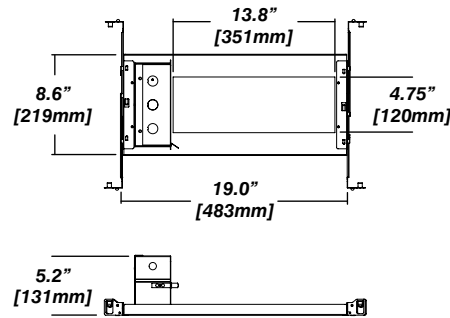
* driver can be installed either:

(A) laying on top of ceiling. (B) mounted to the bar hanger and fixed to the ceiling. (C) remote from the fixture, with the bar hanger still used if desired to secure the fixture. (D) Fixture may require multiple drivers depending on specification.

New Construction - 915



Dimension



Includes

- Plaster Frame** • Galvanized steel construction
- Bar hanger** • Length: from 14-3/16" to 26"
- Outlet Box** • 7/8" knock out
- Divider inside
- Cover included
- Thermal protector** • Designed for protection of fixtures in non-IC setup
- Causes fixture light to blink in fault condition
- Automatic resetting
- Security wire** • Flexible aircraft cable, 12" long
- Easy to clip snap body included