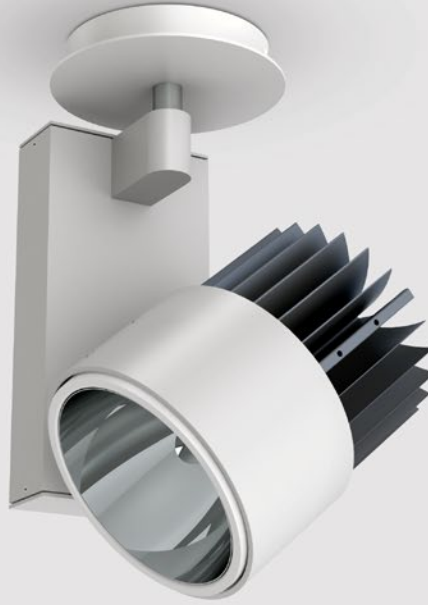


LETO 15

TRACK LED SPOTLIGHT



Leto 15 - Surface Mount Spotlight. The Leto 15 spotlight is a robust LED lighting solution with powerful options. This fixture has many stylish applications and can be used in warehouses, high office bays or open ceiling concepts using the canopy mounting system function.

Ordering Code

Fixture	615						
	1	2	3	4	5	6	7
Driver			--	--			
	1	2	3	4			

Product Specifications

SAMPLE: Fixture **615 - A90 - 624 - 27 - 20 - 01** | Driver **STD - 120 - A90 - 07**

1 - Model	2 - CRI/LED	3 - Optic	4 - CCT	5 - Lumen	6 - Finish	7 - Accessory
615 · Leto 15	A90 · 93+ CRI Accuracy	624 · 24° 640 · 40°	25 · 2500K 27 · 2700K 30 · 3000K 35 · 3500K 40 · 4000K 65 · 6500K	20 · 2000 (20.8W) 30 · 3000 (33.7W) 40 · 4000 (52W)	01 · White 02 · Black 08 · Silver XX · Custom	00 · No Accessory HO · Honeycomb SN · Snoot

1 - Driver	Dim Level	Dim Level	2 - Voltage	3 - LED	4 - Lumen
STD · Non Dimming	N/A	DALI · Dali Protocol	120 · 120V	Same as Fixture	Same as Fixture
LCS · 0 - 10 Volt Protocol	10%	LUTES · Hilume Ecodigital	277 · 277V		
DIM · Phase* ¹	10%	LUT2W · 2 Wire for phase* ¹	347 · 347V* ²		
ELDOLC · EldoLED 0 - 10 Volt	0.1%	CSMB · Casambi Wireless Control* ³			

*1 120V only
*2 not available with ELDO or Lutron
*3 specified separately

Project : _____
Quantity : _____
Type : _____
Notes : _____



LETO 15

TRACK LED SPOTLIGHT

Accessories

Snoot

- Rigid opaque acrylic
- Creates a subtle accent detail
- Helps uniformly direct light

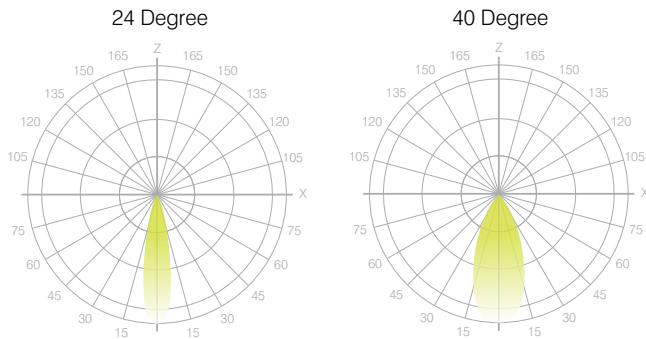


Honeycomb Louver

- 95% open area with 45° cut-off
- Made from cold-rolled steel
- Black polymer coating with eggshell finish



Leto Light Distribution

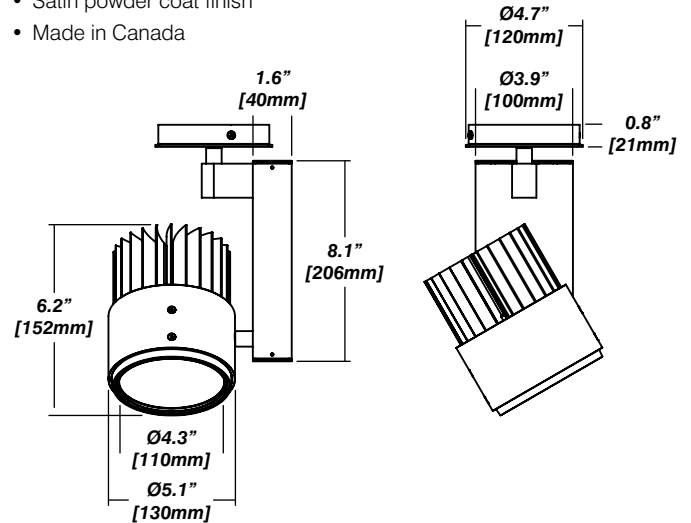


General

- 350° rotation
- 0° to 130° tilt and lock
- Available as track system version

Construction / Finish

- Cast Aluminum Trim and Steel Casing
- Satin powder coat finish
- Made in Canada



LED Module Performance

- Output:** Up to 93 lumen/Watt
- Efficacy:** Color consistency within a 3-MacAdam Ellipse
- CCT:** 2500K - 6500K
- Color Rendering:** 93+ CRI
- Min. R Values:** R⁹ - 60 R^f - 90 R^a - 100

Driver and Power Consumption

- Dimming:** 1% dimming standard with 0.1% option
- Ripple:** Industry leading Low ripple
- Efficiency:** Power Factor >0.9
Efficiency over 85%
Class 2 output for safety
- Installation:** Remote mounted

Lumen Option	2000lm	3000lm	4000lm
Fixture Wattage	20.8W	33.7W	52W
Delivered Lumen	1951lm	2990lm	4065lm

Photometrics

Senso's in-house photometric testing ensures that our lighting design can match your needs precisely. Our Goniophotometer and testing lab produces on-demand photometry files based on any specified fixture, including LM-79 Test reports, IES Files, and CRI/CCT measurements. See Sensolighting.com for more information.

**Full photometric Reports and IES files available for every configuration*

Color Metrics

TM 30-15

Our clients deserve the best information possible about their lighting choices. That's why Senso has invested in the Illuminating Engineering Society (IES) TM 30-15, a new system that measures an LED light source's color rendering properties. Using Senso's state-of-the-art goniophotometer, this method identifies the optimal light source for your project and helps evaluate the trade-offs between efficacy and color rendering. Senso can provide TM 30-15 data for all of our products.

**Full Color Metric Info Available at Sensolighting.com*