

Features

Kurba Grazer 3D™ is a wall grazing, energy efficient and flexible LED strip suitable for wet locations capable of vertical/top bends down to 8" radius and Horizontal/side bends up down 16" radius. The silicone material offers excellent heat, weather, UV, and solvent resistance and has a special coating to repel dust and dirt accumulation.

Output Options

- 2-Wire Warm Dim gradually warms the color temperature as you dim down the brightness
- Tunable White allows individual control of CCT and output
- RGB options offer balanced output across the color gamut and a true white with RGBW

Average Life (L70)

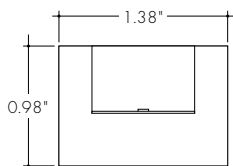
50,000 hours

Approvals

24VDC Class 2 wet listed, IP67

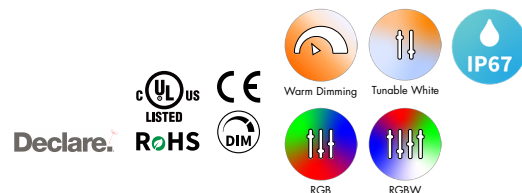
Warranty

3 years



Finish Options

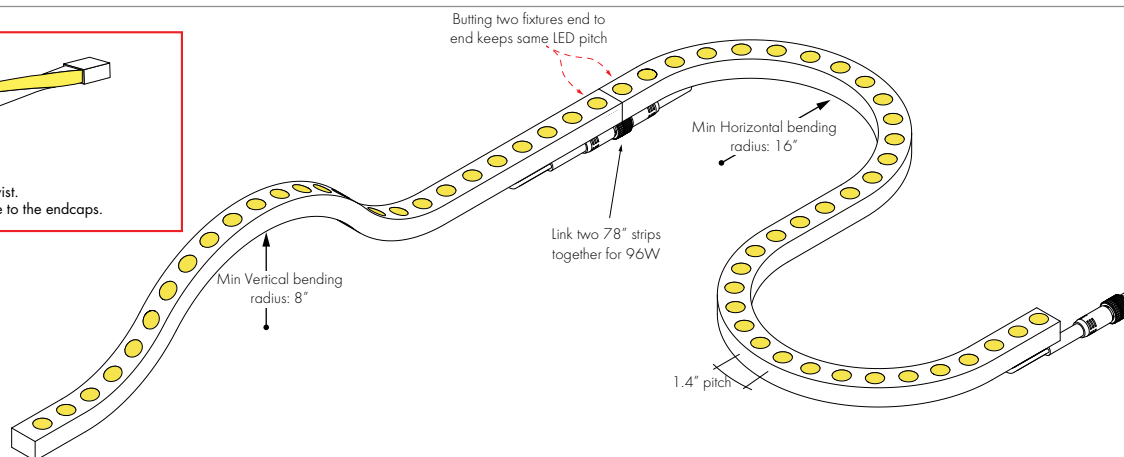
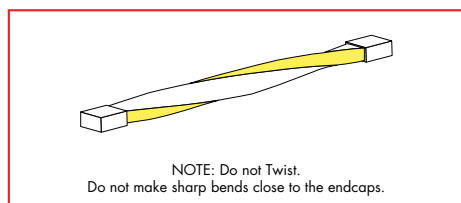
- White
- Black



Technical Information

| Finish Option | White | | | Black | | |
|---|----------------|----------------|----------------|----------------|----------------|----------------|
| | TW9SO | RGB9SO | RGBW9SO | TW9SO | RGB9SO | RGBW9SO |
| Output | | | | | | |
| Light Output at (All On) | 274 lm/ft | 237 lm/ft | 280 lm/ft | 243 lm/ft | 201 lm/ft | 237 lm/ft |
| Average Power Consumption at 4' | 7.32 W/ft | 7.32 W/ft | 7.32 W/ft | 7.32 W/ft | 7.32 W/ft | 7.32 W/ft |
| Efficacy | 37 lm/W | 32 lm/W | 38 lm/W | 33 lm/W | 27 lm/W | 32 lm/W |
| Ordering Increment | 9.84" | 9.84" | 9.84" | 9.84" | 9.84" | 9.84" |
| Maximum Run Length (per strip/ In Series) | 78"/156" | 78"/156" | 78"/156" | 78"/156" | 78"/156" | 78"/156" |
| Operating Temperature Range | -40°F to 131°F | -40°F to 131°F | -40°F to 131°F | -40°F to 131°F | -40°F to 131°F | -40°F to 131°F |
| Control/Dimming Protocol | 0-10V, DMX | DMX | DMX | 0-10V, DMX | DMX | DMX |

Constraints



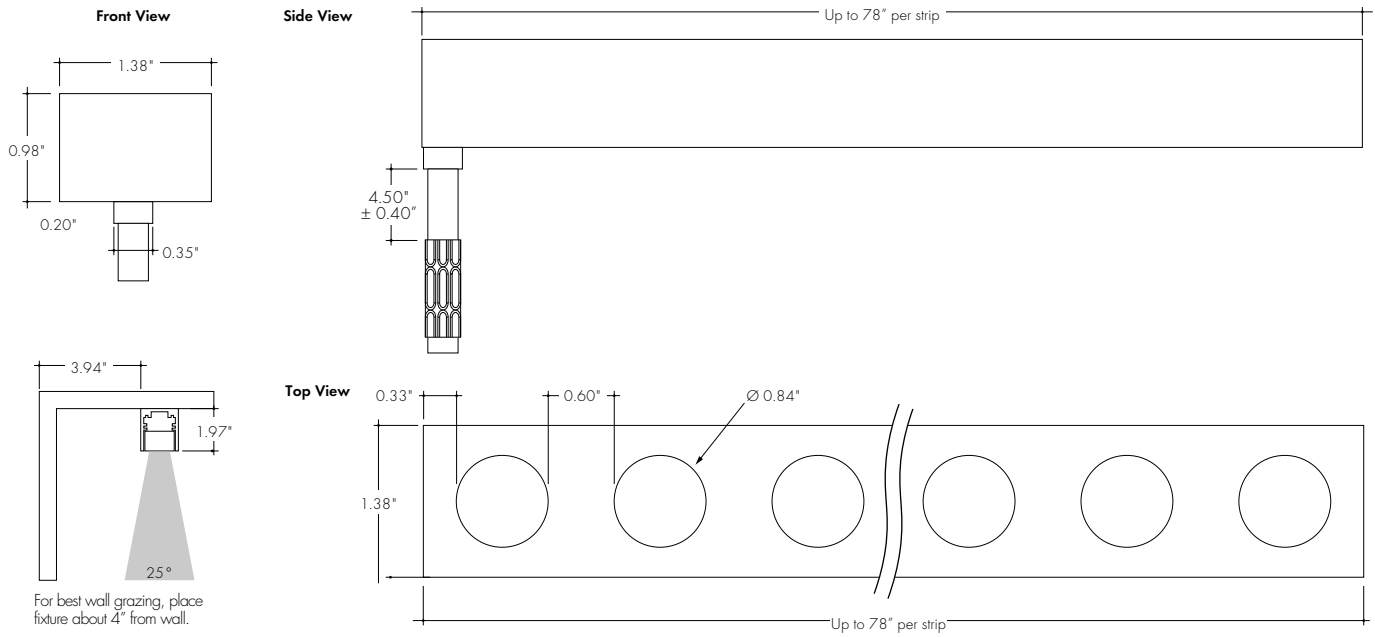
Ordering Code

| MODEL | RATING | BEND DIRECTION | LENGTH | OUTPUT | CCT | LENS ¹ | MOUNTING | FINISH | FEED POSITION LEFT | FEED POSITION RIGHT |
|------------------------|---------|-----------------|-------------------------|--|--|---|--|--------------------------|---|---|
| KBG - Kurba Grazer 3D™ | W - Wet | 3D - 3D Bending | SEE PCC CHART ON PAGE 5 | TW9SO - Tunable White, Standard Output | 22K57K - 2200K-5700K | 20X20 - Grazer (20°) 20X30 - Elliptical Beam (20°x30°) 20X50 - Elliptical Beam (20°x50°) 40X40 - Elliptical Beam (40°x40°) | NA - See Page 3 for orderable mounting accessories | WH - White BK - Black | INJECTION MOLD IMB - Back Feed 1 NPF - No Feed ² | INJECTION MOLD IMB - Back Feed 1 NPF - No Feed ² |
| | | | | RGB9SO - RGB, Standard Output | RGB - Red, Green, Blue | | | | | |
| | | | | RGBW9SO - RGBW, Standard Output | RGB27K - RGB 2700K RGB30K - RGB 3000K RGB40K - RGB 4000K | | | | | |

¹ - 40X40 lens option only available with RGB26SO & RGBW26SO outputs. These outputs must only use this lens option

² - NPF-NPF for Feed Position 1&2 is not a valid configuration option

Product Dimensions

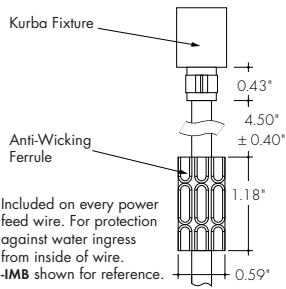


Note: Two 78" Kurba Grazer 3D™ strips may be joined together in series up to 156" for a continuous run

Linking and Extension Cable Options

ANTI-WICKING FERRULE

Included on every power feed wire

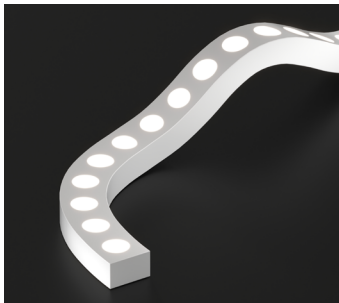


Finish Options

- A wide variety of finish options allowing complete customization of style and aesthetic.

Basic Option

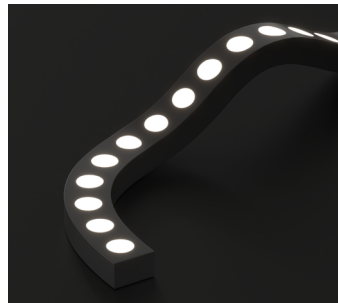
White



Kurba's base finish is a crisp white which brings a timeless, clean aesthetic that brightens and enhances any space

Premium Option

Black

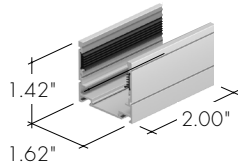


Black is a dark, pitch-black with a soft flat finish. This finish brings a bold, modern look, adding a touch of cosmic elegance to any space.

Mounting Accessories and Optional Connectors

MC-KBG-SAP-SM-2-SA

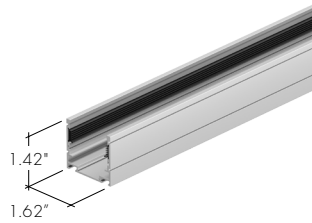
KBG Mounting Channel, Serrated Aluminum Profile, Surface Mount, 2in x 1.4in tall. Silver Anodized



Aluminum mounting channel providing grip. For use with light strip mounted to the ceiling.

MC-KBG-SAP-SM-78-SA

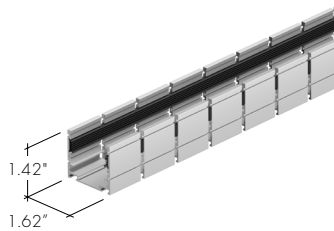
KBG Mounting Channel, Serrated Aluminum Profile, Surface Mount, 78in x 1.4in tall, Silver Anodized



Aluminum mounting channel providing grip. For use with light strip mounted to the ceiling.

MC-KBG-BSAP-HB-SM-38-SA

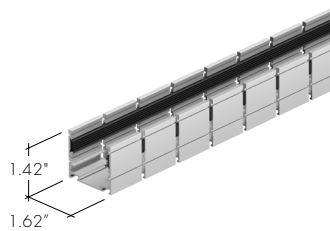
KBG Mounting Channel, Bendable Serrated Aluminum Profile, Horizontal Bending, Surface Mount, 38in, Silver Anodized



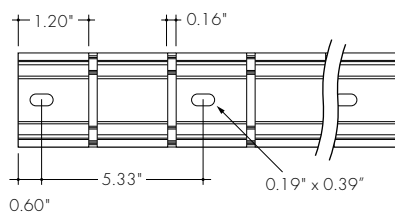
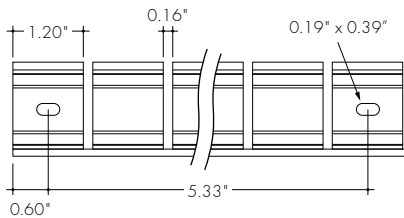
Aluminum mounting channel providing grip. For use with light strip mounted to the ceiling.
NOTE: HB - Horizontal Bending Only

MC-KBG-BSAP-VB-SM-38-SA

KBG Mounting Channel, Bendable Serrated Aluminum Profile, Vertical Bending, Surface Mount, 38in, Silver Anodized

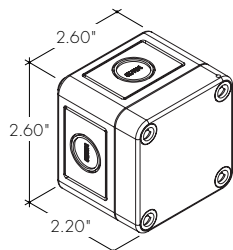


Aluminum mounting bracket providing grip. For use with light strip mounted to the ceiling.
NOTE: VB - Vertical Bending Only



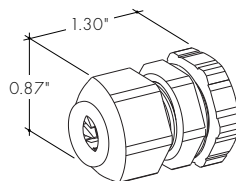
LVSP-WET

Splice box: wet rated, low voltage, gray



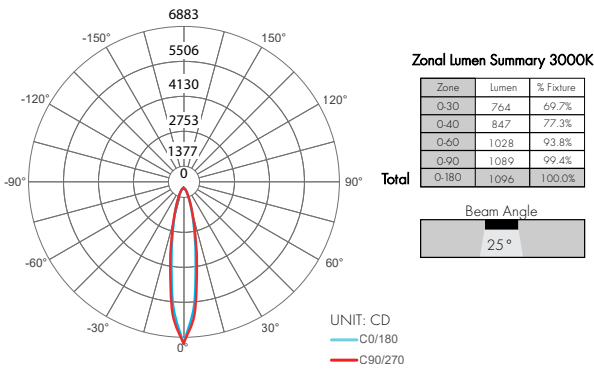
LVSP-WET-CM

Connector for splice box, low voltage for cable management, gray

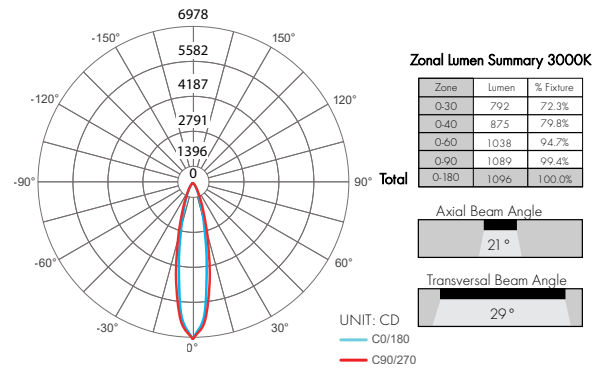


Photometry

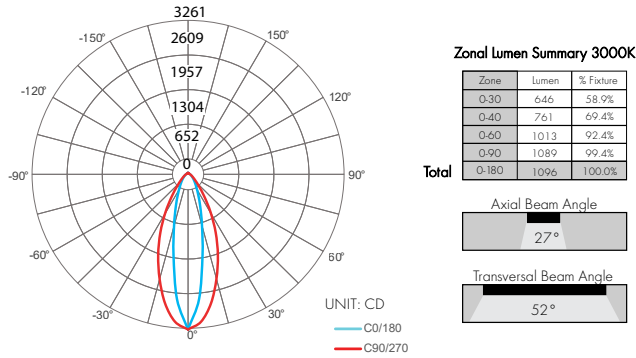
KBG-W-3D-48-TW9SO-27K65K-20X20-NA-WH
Kurba Grazer 3D, 4ft, 2700K - 6500K, 20° Grazer Lens



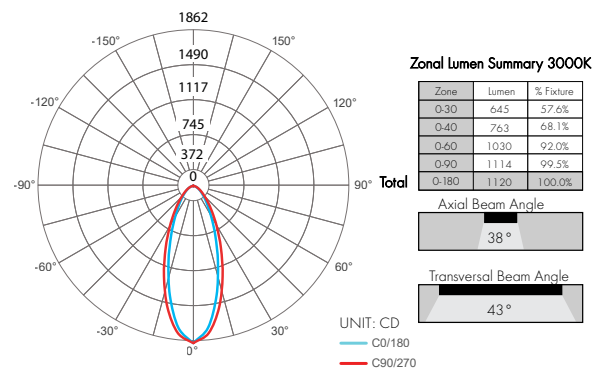
KBG-W-3D-48-TW9SO-27K65K-20X30-NA-WH
Kurba Grazer 3D, 4ft, 2700K - 6500K, 20°X30° Elliptical Lens



KBG-W-3D-48-TW9SO-27K65K-20X50-NA-WH
Kurba Grazer 3D, 4ft, 32700K - 6500K, 20°X50° Elliptical Lens



KBG-W-3D-48-RGBWW9SO-RGB30K-40X40-NA-WH
Kurba Grazer 3D, 4ft, RGB-3000K, 40°X40° Elliptical Lens



TW9SO | Power Consumption Per Fixture Length

Based on operation with PDCU series of power supplies. Use Acutal Length for Order Code Entry
 Tolerance for Actual Lengths less than 6 ft is +/- 0.2", Actual Lengths between 6 ft and 16 ft is +/- 0.3", and Actual Lengths greater than 16 ft is +/- 0.6"

| Nominal Length (in) | W | Actual Length (in) |
|---------------------|------|--------------------|
| 10 | 6.1 | 10.0 |
| 20 | 12.1 | 19.8 |
| 30 | 24.4 | 29.7 |
| 39 | 24.0 | 39.4 |
| 49 | 30.1 | 49.4 |
| 59 | 36.1 | 59.2 |
| 69 | 42.1 | 69.1 |
| 78 | 48.1 | 78.9 |

RGB9SO | Power Consumption Per Fixture Length

Based on operation with PDCU series of power supplies. Use Acutal Length for Order Code Entry
 Tolerance for Actual Lengths less than 6 ft is +/- 0.2", Actual Lengths between 6 ft and 16 ft is +/- 0.3", and Actual Lengths greater than 16 ft is +/- 0.6"

| Nominal Length (in) | W | Actual Length (in) |
|---------------------|------|--------------------|
| 10 | 6.1 | 10.0 |
| 20 | 12.1 | 19.8 |
| 30 | 24.4 | 29.7 |
| 39 | 24.0 | 39.4 |
| 49 | 30.1 | 49.4 |
| 59 | 36.1 | 59.2 |
| 69 | 42.1 | 69.1 |
| 78 | 48.1 | 78.9 |

RGBW9SO | Power Consumption Per Fixture Length

Based on operation with PDCU series of power supplies. Use Acutal Length for Order Code Entry
 Tolerance for Actual Lengths less than 6 ft is +/- 0.2", Actual Lengths between 6 ft and 16 ft is +/- 0.3", and Actual Lengths greater than 16 ft is +/- 0.6"

| Nominal Length (in) | W | Actual Length (in) |
|---------------------|------|--------------------|
| 10 | 6.1 | 10.0 |
| 20 | 12.1 | 19.8 |
| 30 | 24.4 | 29.7 |
| 39 | 24.0 | 39.4 |
| 49 | 30.1 | 49.4 |
| 59 | 36.1 | 59.2 |
| 69 | 42.1 | 69.1 |
| 78 | 48.1 | 78.9 |

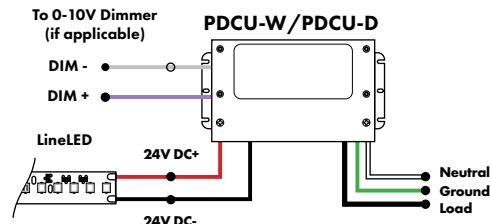
Power Supplies

See fixture and power supply instructions & spec sheet for wiring information. Dimming possible in select models - view Luminii website for list of compatible dimmers.

For use with Warm Dim

Universal Power Supply 1% 120VAC - 277VAC

| MODEL | POWER | OUTPUT |
|--------------------------|--|-------------|
| PDCU-D - IP20 Dry Series | 30 - 30 W 60 - 60 W 96 - 96 W 3X96 - 3X96 W | 24 - 24 VDC |
| PDCU-W - IP66 Wet Series | 96 - 96 W 3X96 - 3X96 W | |



0-10V dims down to 1%, MLV/ELV/TRIAC dims down to 1%.
For a complete list of compatible dimmers, see [Compatible Dimming Chart](#) on the Resources page.

| MODELS | PDCU-W 96W | PDCU-W 3X96W | PDCU-D 30W | PDCU-D 60W | PDCU-D 96W | PDCU-D 3X96W |
|---------------|------------|--------------|------------|------------|------------|--------------|
| Length | 8.66" | 11.85" | 6.10" | 7.93" | 8.25" | 9.57" |
| Width | 3.73" | 4.32" | 3.35" | 3.35" | 4.10" | 5.94" |
| Depth | 1.61" | 1.81" | 1.33" | 1.32" | 1.56" | 1.13" |

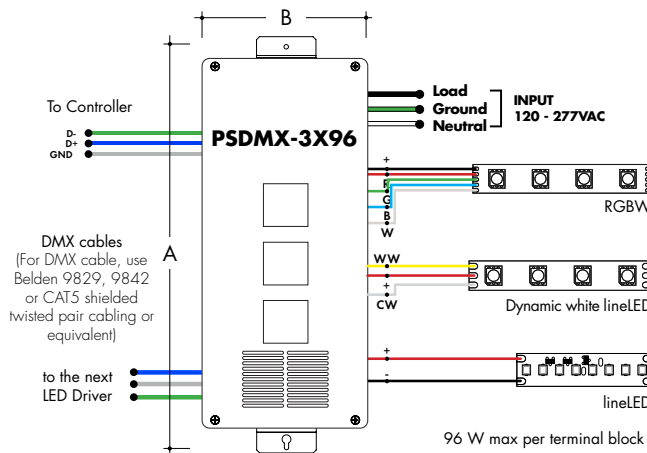
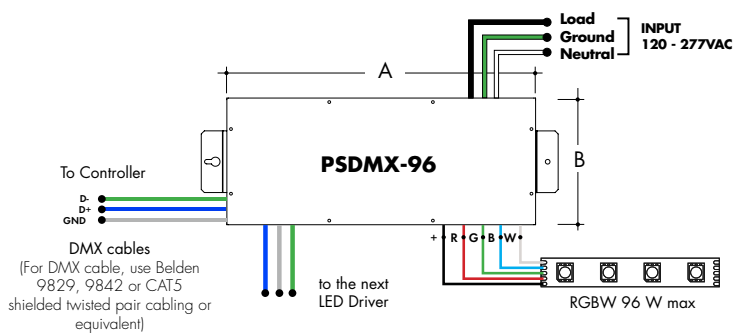
For use with RGB/RGBW, RGB42/RGBW36 or with Tunable White

DMX 0% Dimming Power Supplies 120VAC - 277VAC

| MODEL | POWER | OUTPUT |
|--|------------------------------------|-----------|
| PSDMX-DMX Power Supply dims down to 0% | 96 - 96 Watt 3X96 - 3 X 96 Watt | 24-24 VDC |

Features eldoLED's LINEARdrive configurable dimmable drivers.
DDMX-RGBW DMX Decoder not required when purchasing this power supply.

| MODELS | 96W | 3X96 |
|-----------------|--------|--------|
| A Length | 14.40" | 15.75" |
| B Width | 5.20" | 6.62" |
| Depth | 2.60" | 4.95" |



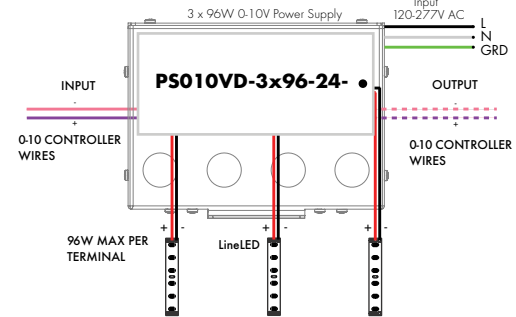
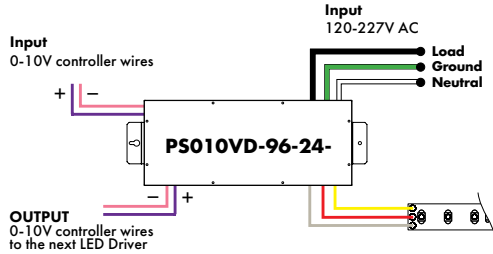
For use with Tunable White

Customizable Dim to Warm or Variable White via 0 - 10V
(for tunable white or warm dimming control of Dynamic option)

| MODEL | POWER | OUTPUT | CONTROL |
|-------------------------|------------|-----------|---|
| PS010VD-0-10 LED Driver | 96-96 Watt | 24-24 VDC | WW-Standard One Channel - Dim To Warm Curve W2C-Standard Two Channel - Dim 1: Intensity; Dim 2: CCT W21 - Standard Two Channel - Dim 1: Warm Channel Intensity; Dim 2: Cool Channel Intensity W1X-___Custom One Channel - Dim To Warm Curve W2X-___Custom two Channel - Dim 1: Intensity; Dim 2: CCT |

| MODELS | 96W | 3X96 |
|---------------|--------|-------|
| Length | 14.40" | 15.0" |
| Width | 5.20" | 6.61" |
| Depth | 2.60" | 4.56" |

Requires a 0-10V controller to work properly



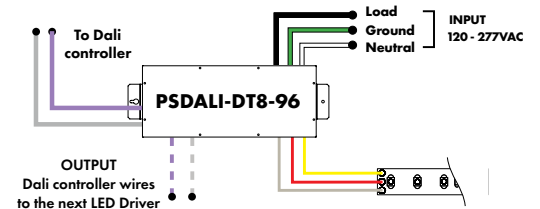
For use with Tunable White

DALI DT8 LED Driver, 120VAC - 277VAC

| MODEL | POWER | OUTPUT |
|--------------------------------|------------|-----------|
| PSDALI-DT8-DALI-DT8 LED Driver | 96-96 Watt | 24-24 VDC |

Requires a controller and a decoder to work properly

| MODELS | 96W |
|-----------------|--------|
| A Length | 14.40" |
| B Width | 5.20" |
| Depth | 2.60" |



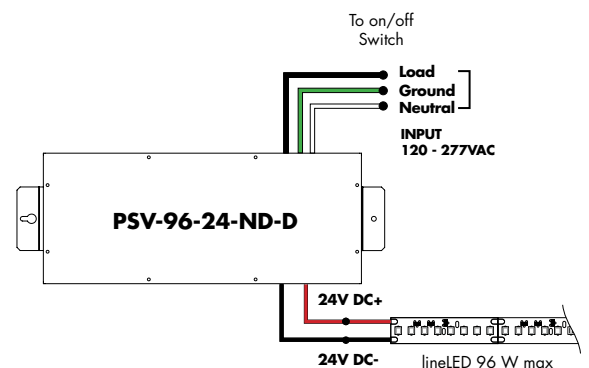
For use with RGB/RGBW/Pixel

Non-Dimming Power Supply 120VAC - 277VAC

| MODEL | POWER | OUTPUT | DIMMING | LOCATION |
|----------------|------------|-----------|----------------|----------------|
| PSV-PSV Series | 96-96 Watt | 24-24 VDC | ND-Non Dimming | D-Dry location |

Requires a controller and a decoder to work properly

| MODELS | 96W |
|-----------------|--------|
| A Length | 14.40" |
| B Width | 5.20" |
| Depth | 2.60" |

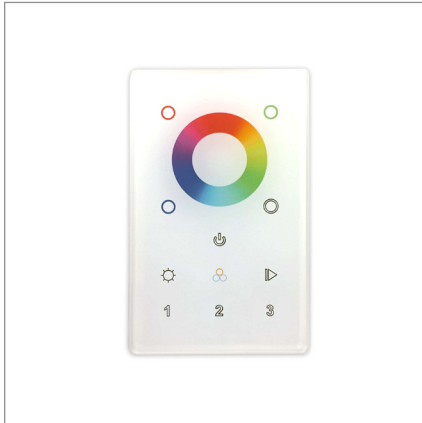


Power Supplies

See fixture and power supply instructions & spec sheet for wiring information. Dimming possible in select models - view Luminii website for list of compatible dimmers.

DMX-1Z-RGBW, DMX-3Z-RGBW

RGBW LED 1 or 3 Zone Controller



ORDERING CODE

| MODEL | ZONES | COLOR |
|----------------------|----------------------------------|----------------------------------|
| DMX - DMX Controller | 3Z - Three Zone 1Z - One Zone | RGBW - Red, Green, Blue, & White |

DMX /Wireless RGB-W wall-mount controller controls DMX lighting fixtures, wireless control of RGB-W lighting fixture or use both simultaneously. Fits in any standard US switch box. Includes all the outputs in the back of the controller.

Control brightness levels with a single touch, personalize and memorize 3 different scenes, and even create 3 variations of white.

Features

- 2 in 1 in-Wall Controller: DMX Control or Wireless RGB-W
- 65,000 Color Options, Dimming and Speed Control
- Memory Function
- 50 Foot Wireless Range
- Easily Fits Standard US Switch Boxes
- Touch Sensitive Glass Surface
- Includes 10 Built in Programs, or Create and Play Your Own

Operating Voltage

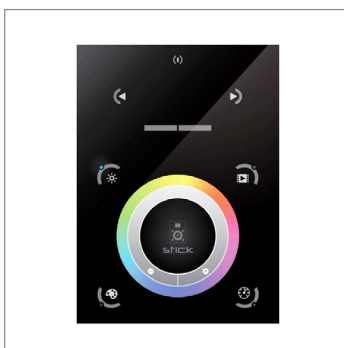
12 - 24V DC

Color Parameters

- Brightness
- Saturation
- Primary colors
- Fading
- Color changing speed

Touch DMX Controller

Touchscreen digital LED controller



MODEL

TSDMX-E

TSDMX-E - Touchscreen DMX controller

Programmable advanced DMX512 lighting controller featuring a touch-screen interface. Operates as stand alone controller or integrated with most architectural lighting control systems. Can controller endless DMX512 enabled devices.

Mounts to standard single or dual gang wall box with the included power supply inside the junction box. Terminal block design for power and data connections.

Features

- Sleek glass design which sits 0.43" from the wall
- Graphical color display to show selected environment
- Color/dimmer/speed palette
- Color temperature mixing
- Touch sensitive buttons. No mechanical parts
- Touch sensitive wheel allows for accurate color selection
- Multi-zone microSD memory
- Multi-room control with 500 scenes, 10 zones
- 1024 DMX channels. Control 340 RGB fixtures
- USB & Ethernet connectivity for programming and control

Power Supply

7 VDC (included)

Programmability

PC, Mac, Tablet, Smartphone

Output Signal

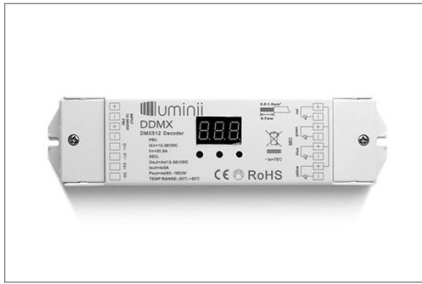
DMX512 (1024 channels)

Color Parameters

- Brightness
- Saturation
- Speed of color changing sequence
- Fading / dimming / brightness

DMX Decoder

DMX signal to RGBW decoder (required to operate DMX controller)



ORDERING CODE

MODEL

DDMX-RGBW

DDMX-RGBW - DMX decoder

Translates controller DMX512 programs for RGB and white LED strips.

Unique DMX address for the decoder can be set easily and displayed by the numeric display on the case. Changing and resetting the DMX address requires manual input.

Use power repeater to expand output.

Operating Voltage

12-36 VDC

Power Capacity

up to 96W at 24V

Operating Temperature Range

from -4°F to +122°F in case

Smart Pixel Decoder

SPI signal to DMX signal decoder



Model

SR-DMX-SPI

SR-DMX-SPI - Smart Pixel Decoder

The SR-DMX-SPI is a smart LED pixel decoder that controls RGB/RGBW pixel LED strips with SPI signal. Designed with an OLED backlit panel, the pixel controller allows for easy configuration of most settings. Four push buttons are available for control of the LED functions.

*For pixel only.

Features

- 2 in 1 in-Wall Controller: DMX Control or Wireless RGB-W
- SPI signal output for RGB/RGBW pixel light control
- DMX512 controllable and RF/WIFI remote controllable
- Capable of addressing up to 1020 RGB pixels & 765 RGB pixels
- OLED panel allows for easy configuration

Operating Voltage

12 - 36V DC

Power capacity

up to 96W at 24V

Operating temperature range

from -4°F to +122°F in case