

LUMINI HÖM

Kitchen Design Guide



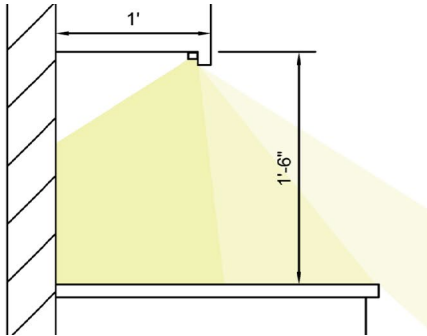
UNDER CABINET

An essential task light with the capability to accentuate beautiful backsplashes. Deliver the perfect amount of light for people to cook and enjoy their favorite dishes in the comfort of their kitchens. Backsplashes and counter tops are key features to a variety of interior design styles and moods. Accentuate them well to make a stylish, practical, and flexible addition to any kitchen.

COUNTER DIRECT

DETAIL

Bright and direct. Best for providing task light.



RENDER

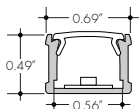


RECOMMENDED LUMINAIRE(S)

- Kendo M Static White**
Part Number: KM-(length)-72SO-27K-F-FC-(finish)-
(power feed info)
Power Supply: PDCU-D-96-24
- Kendo M Warm Dim**
Part Number: KM-(length)-WD68SO-19K-27K-F-FC-
(Finish)-(Power Feed Info)
Power Supply: PDC-96-24
- Kendo M Wet (Exterior)**
Part Number: KMW-(length)-72HO-27K-F-FC-SA-
(Power Feed Info)
Power Supply: PDCU-W-96-24

TAPE & CHANNEL (For Field Assembly)

- Channel:** KMC-(length)-F-
- Static White:** LL42-HO-27K-SL-NC-(power feed info)
Power Supply: PDCU-D-96-24
- Warm Dim:** LLWD68-19K-27K-SL-NC-(length)-(power feed info)
Power Supply: PDC-96-24
- Static White Wet:** LL42WET-T-VHO-27K-(power feed info)
Power Supply: PDCU-W-96-24



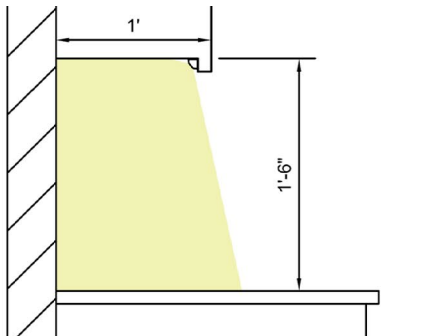
KENDO M



BACKSPLASH WASH

DETAIL

Soft and indirect. Best for a concealing the source. Provides task light while washing the backsplash.



RENDER

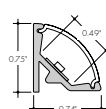


RECOMMENDED LUMINAIRE(S)

- Kendo 45MR Static White**
Part Number: K45M-(length)-72SO-27K-RF-FC-
(finish)-(power feed info)
Power Supply: PDCU-D-96-24
- Kendo 45MR Warm Dim**
Part Number: K45M-(length)-72SO-27K-RF-FC-
(Finish)-(Power Feed Info)
Power Supply: PDC-96-24
- Kendo 45M Wet (Exterior)**
Part Number: K45MW-(length)-72HO-27K-F-FC-SA-
(Power Feed Info)
Power Supply: PDCU-D-96-24

TAPE & CHANNEL (For Field Assembly)

- Channel:** K45RC-(length)-F-
- Static White:** LL42-HO-27K-SL-NC-(power feed info)
Power Supply: PDCU-D-96-24
- Warm Dim:** LLWD68-19K-27K-SL-NC-(length)-(power feed info)
Power Supply: PDC-96-24
- Static White Wet:** LL42WET-T-VHO-27K-(power feed info)
Power Supply: PDCU-W-96-24



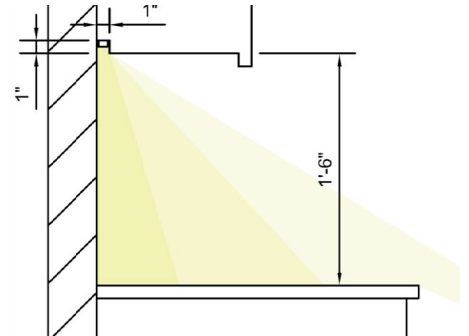
KENDO 45MR



BACKSPLASH GRAZE

DETAIL

Dynamic and direct. Best for featuring textured backsplashes while providing usable task light. Ideal for exterior kitchens.



RENDER

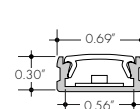


RECOMMENDED LUMINAIRE(S)

- Kendo S Static White**
Part Number: KS-(length)-72SO-27K-F-FC-(finish)-
(power feed info)
Power Supply: PDCU-D-96-24
- Kendo S Warm Dim**
Part Number: KS-(length)-WD68SO-19K-27K-F-FC-
(finish)-(power feed info)
Power Supply: PDC-96-24
- Kendo S Wet (Exterior)**
Part Number: KSW-(length)-72HO-27K-F-FC-SA-
(Power Feed Info)
Power Supply: PDCU-W-96-24

TAPE & CHANNEL (For Field Assembly)

- Channel:** KMC-(length)-F-
- Static White:** LL42-HO-27K-SL-NC-(power feed info)
Power Supply: PDCU-D-96-24
- Warm Dim:** LLWD68-19K-27K-SL-NC-(length)-(power feed info)
Power Supply: PDC-96-24
- Static White Wet:** LL42WET-T-VHO-27K-(power feed info)
Power Supply: PDCU-W-96-24



KENDO S



NOTES
1) 24K, 27K, 30K, 35K color temperatures recommended for High End Residential.
2) Additional lumen packages are available. Refer to specification sheets.
3) Silver, Black, White, Bronze finishes are standard; new premium finishes available





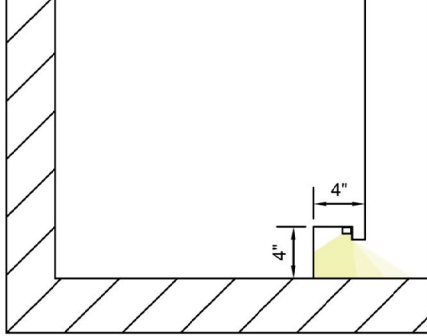
TOE-KICK

A modern accent. Consider the addition of toe-kicks for a tasteful flair to modern residences. Need something a little softer? Choose indirect toe-kicks — they even prevent glare on glossy floors and work perfectly for curved millwork pieces. For exterior kitchens and hardscapes, consider a grazing toe-kick to provide far reaching low-level illumination without ruining the night landscape with harsh overhead lighting.

DIRECT

DETAIL

Bright and direct. Traditional accent to provide low-level illumination.



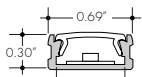
RENDER



- Kendo S Static White**
Part Number: KS-(length)-72SO-27K-F-FC-SA-(power feed info)
Power Supply: PDCU-D-96-24
- Kendo S Warm Dim**
Part Number: KS-(length)-WD69SO-19K-27K-F-FC-SA-(power feed info)
Power Supply: PDC-96-24
- Kendo S Wet (Exterior)**
Part Number: KMW-(length)-72SO-27K-F-FC-SA-(power feed info)
Power Supply: PDCU-W-96-24

TAPE & CHANNEL (For Field Assembly)

- Channel:** KMC-(length)-F-SA
- Static White:** LL42-HO-27K-SL-NC-(power feed info)-(length)
Power Supply: PDCU-D-96-24
- Warm Dim:** LLWD68-19K-27K-SL-NC-(power feed info)-(length)
Power Supply: PDC-96-24
- Static White Wet:** LL42WET-T-VHO-27K-(power feed info)-(length)
Power Supply: PDCU-W-96-24



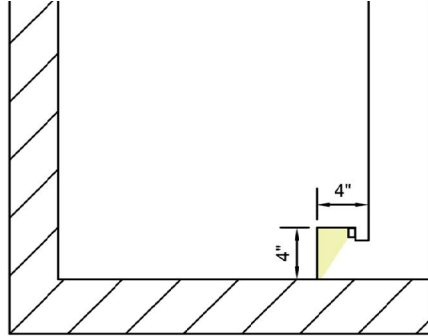
KENDO S



INDIRECT

DETAIL

Soft and indirect. Best for glossy floors to avoid unwanted reflection or for a curved millwork where straight runs are not possible.



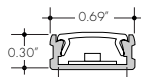
RENDER



- Kendo S Static White**
Part Number: KS-(length)-72SO-27K-F-FC-SA-(power feed info)
Power Supply: PDCU-D-96-24
- Kendo S Warm Dim**
Part Number: KS-(length)-WD69SO-19K-27K-F-FC-SA-(power feed info)
Power Supply: PDC-96-24
- Kendo S Wet (Exterior)**
Part Number: KMW-(length)-72SO-27K-F-FC-SA-(power feed info)
Power Supply: PDCU-W-96-24

TAPE & CHANNEL (For Field Assembly)

- Channel:** KMC-(length)-F-SA
- Static White:** LL42-HO-27K-SL-NC-(power feed info)-(length)
Power Supply: PDCU-D-96-24
- Warm Dim:** LLWD68-19K-27K-SL-NC-(power feed info)-(length)
Power Supply: PDC-96-24
- Static White Wet:** LL42WET-T-VHO-27K-(power feed info)-(length)
Power Supply: PDCU-W-96-24



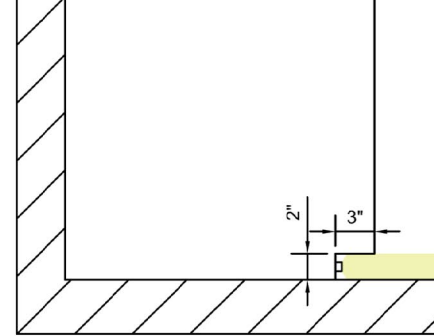
KENDO S



GRAZE

DETAIL

Dynamic and direct, for a dramatic look. Best for exterior kitchens and hardscapes.



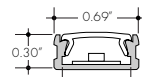
RENDER



- Kendo S Static White**
Part Number: KS-(length)-72SO-27K-F-FC-SA-(Power Feed Info)
Power Supply: PDCU-D-96-24
- Kendo S Warm Dim**
Part Number: KS-(length)-WD69SO-19K-27K-F-FC-SA-(power feed info)
Power Supply: PDC-96-24
- Kendo S Wet (Exterior)**
Part Number: KMW-(length)-72SO-27K-F-FC-SA-(power feed info)
Power Supply: PDCU-W-96-24

TAPE & CHANNEL (For Field Assembly)

- Channel:** KMC-(length)-F-SA
- Static White:** LL42-HO-27K-SL-NC-(power feed info)-(length)
Power Supply: PDCU-D-96-24
- Warm Dim:** LLWD68-19K-27K-SL-NC-(power feed info)-(length)
Power Supply: PDC-96-24
- Static White Wet:** LL42WET-T-VHO-27K-(power feed info)-(length)
Power Supply: PDCU-W-96-24



KENDO S



NOTES
 1) 24K, 27K, 30K, 35K color temperatures recommended for High End Residential.
 2) Additional lumen packages are available. Refer to specification sheets.
 3) Silver, Black, White, Bronze finishes are standard; new premium finishes available





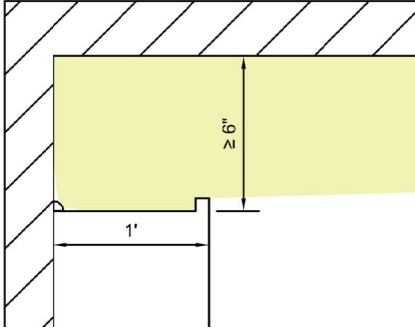
OVER CABINET

For a traditional approach to support downlighting, go with an accent that provides low-level cove simulation. Or even provide a replacement for downlighting in small kitchens with exposed ceilings. For kitchens with tall ceilings, the addition of over cabinet lighting will highlight the vertical plane and wash the ceiling to give the room a greater sense of scale.

FORWARD THROW ACCENT

DETAIL

Soft and indirect. Traditional accent to highlight the vertical plane and provide cove simulation.



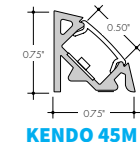
RENDER



- Kendo 45M Static White**
Part Number: K45M-(length)-72SO-27K-F-FC-SA-(power feed info)
Power Supply: PDCU-D-96-24
- Kendo 45M Warm Dim**
Part Number: K45M-(length)-WD68SO-19K-27K-F-FC-SA-(power feed info)
Power Supply: PDC-96-24
- Kendo 45M Wet (Exterior)**
Part Number: K45MW-(length)-72SO-27K-F-FC-SA-(power feed info)
Power Supply: PDCU-D-96-24

TAPE & CHANNEL (For Field Assembly)

- Channel:** K45VC-(length)-F-SA
- Static White:** LL42-HO-27K-(power feed info)-(length)
Power Supply: PDCU-D-96-24
- Warm Dim:** LLWD68-19K-27K-(power feed info)-(length)
Power Supply: PDC-96-24
- Static White Wet:** LL42WET-T-VHO-27K-(power feed info)-(length)
Power Supply: PDCU-W-96-24

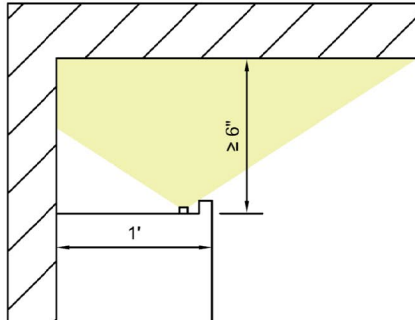


NOTES
1) 24K, 27K, 30K, 35K color temperatures recommended for High End Residential.
2) Additional lumen packages are available. Refer to specification sheets.
3) Silver, Black, White, Bronze finishes are standard; new premium finishes available

UPLIGHT ACCENT

DETAIL

Soft and indirect. Traditional accent.



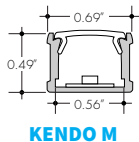
RENDER



- Kendo M Static White**
Part Number: KM-(length)-72SO-27K-F-FC-SA-(power feed info)
Power Supply: PDCU-D-96-24
- Kendo M Warm Dim**
Part Number: KM-(length)-WD69SO-19K-27K-F-FC-SA-(power feed info)
Power Supply: PDC-96-24
- Kendo M Wet (Exterior)**
Part Number: KMW-(length)-72SO-27K-F-FC-SA-(power feed info)
Power Supply: PDCU-W-96-24

TAPE & CHANNEL (For Field Assembly)

- Channel:** KMC-(length)-F-
- Static White:** LL42-HO-27K-(power feed info)-(length)
Power Supply: PDCU-D-96-24
- Warm Dim:** LLWD68-19K-27K-(power feed info)-(length)
Power Supply: PDC-96-24
- Static White Wet:** LL42WET-T-VHO-27K-(power feed info)-(length)
Power Supply: PDCU-W-96-24

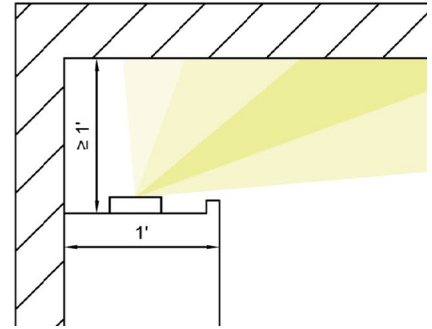


NOTES
1) 24K, 27K, 30K, 35K color temperatures recommended for High End Residential.
2) Additional lumen packages are available. Refer to specification sheets.
3) Silver, Black, White, Bronze finishes are standard; new premium finishes available

HIGH OUT-PUT COVE

DETAIL

Bright and indirect. Provides cove replacement suitable for general room illumination.



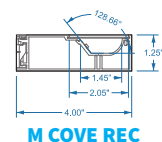
RENDER



- MCOVE REC**
Part Number: M-REC-(length)-LL72VHO-27K-LT- Power Supply: PDCU-D-96-24
- MCOVE REC**
Part Number: M-REC-(length)-LL72VHO-27K-LT- Power Supply: PDCU-D-96-24

TAPE & CHANNEL (For Field Assembly)

N/A



NOTES
1) 24K, 27K, 30K, 35K color temperatures recommended for High End Residential.
2) Additional lumen packages are available. Refer to specification sheets.
3) Silver, Black, White, Bronze finishes are standard; new premium finishes available





Luminii part numbers and specifications are subject to change at any time.

Please refer to specification sheets on Luminii.com for the most up to date information or contact your local sales representative for more details.

Luminii Design Guides are intended to provide inspiration; please consult with your design professional, contractor, or electrician prior to purchase.

[Have additional questions? Luminii is here to help.](#)

Contact us anytime and we will help guide you to find the perfect products for any application.