

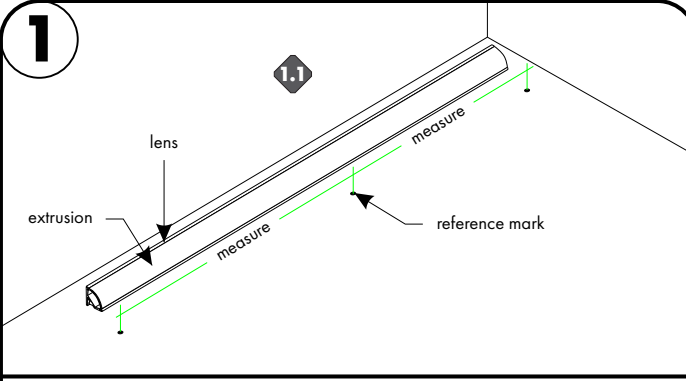
K45R, K45V - Installation Instructions

Models K45RC-XX & K45VC-XX

Please read complete instruction prior to installation and keep for future reference!

1. Product to be installed by a qualified electrician.
2. Prior to installation ensure power is off at fuse box to prevent electrical shock.

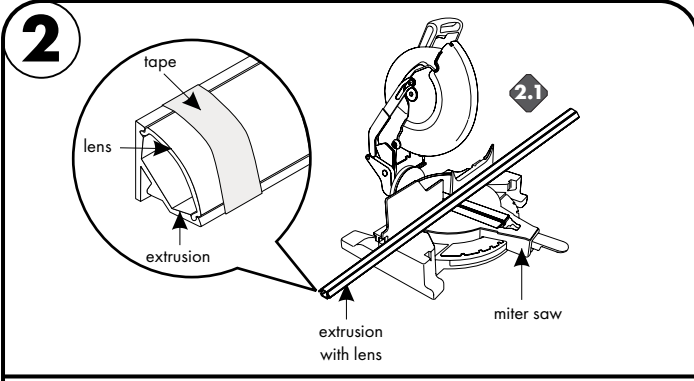
1



Note: Prior to install, 24VDC power must be present for wiring. Also review and account for all parts necessary to install properly.

1.1 Snap the lens into the extrusion, then align & center the extrusion to the determined location. Make any reference marks to install the extrusion.

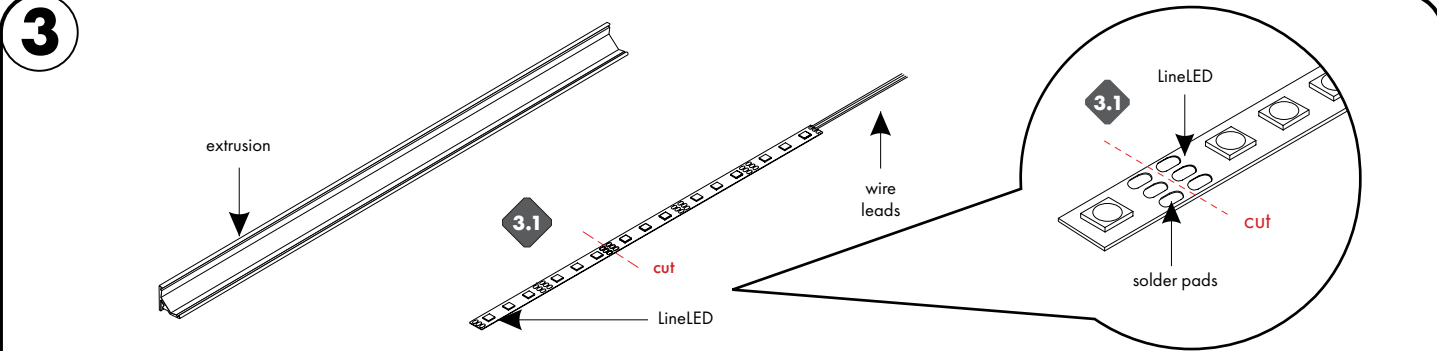
2



Caution: Safety equipment is recommended, when modifications are being made to the extrusion & lens.

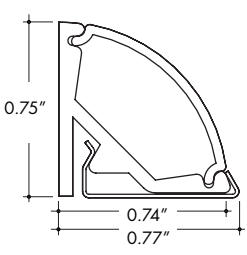
2.1 If necessary extrusion & lens can be cut in the field. Using the proper blade for aluminum, cut to the desired length. To avoid any damages to the lens while cutting, wrap some tape around the ends. Then remove after the cut.

3

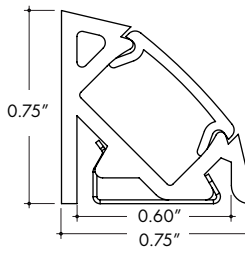


3.1 LineLED can be shortened by cutting along the dashed lines in between the solder pads. Make sure the cut is made on the side of the LineLED without the wire leads. LineLED cannot touch the metal endcap which will shorten the circuit.

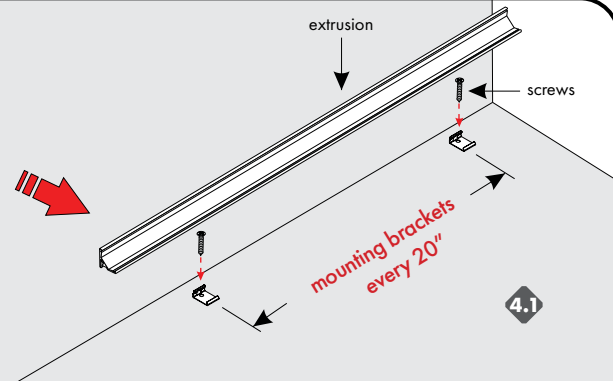
Optional: Extrusion are not waterproof. If it is going to be installed facing up and in a wet location, drainage holes should be drilled along the inner corner of the extrusion every 12". Drill 1/16" to 1/8" diameters holes before installing LED strip.



MB-K45RC-SS
K45R Channel Stainless steel screw-in mounting bracket



MB-K45VC-SS
K45V Channel Stainless steel screw-in mounting bracket



4.1

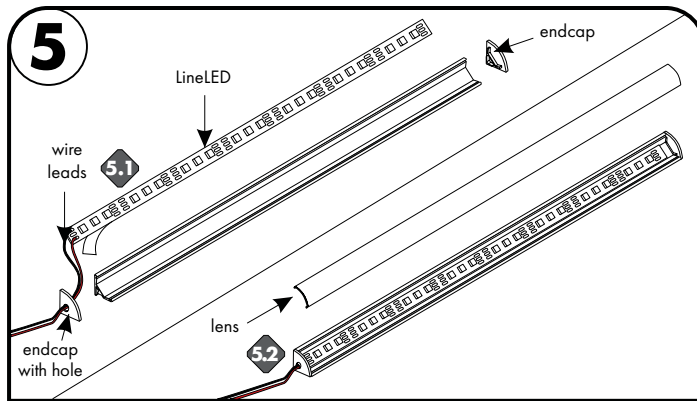
4.1 Align the mounting brackets to the edge of the surface, followed by securing each mounting bracket with 1 screws. Mounting bracket must be installed every 20". Snap the extrusion into the mounting brackets. Reference dimensions for additional details. **NOTE: If mounting next to a wall, leave a 0.25" gap. To later remove if needed.**

4.2 To remove the extrusion from the mounting brackets, carefully insert a flat screwdriver to the bottom edge of the extrusion then pull up until the extrusion pops up.

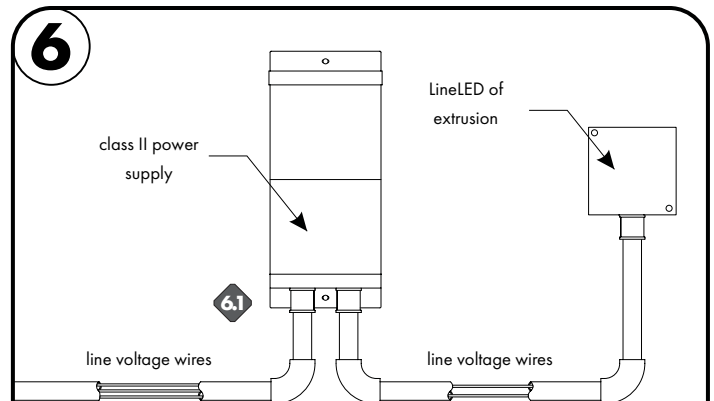
K45R, K45V - Installation Instructions

Models K45RC-XX & K45VC-XX

1. Product to be installed by a qualified electrician.
2. Prior to installation ensure power is off at fuse box to prevent electrical shock.



- 5.1** Remove the paper backing from the adhesive tape on the LineLED before installing it into the extrusion. Then push the LineLED into the aluminum extrusion and install endcaps at both ends.
- 5.2** Snap the diffuser lens into the aluminum extrusion.
- 5.3** If extrusion going to be installed outside, add silicone to the endcaps & the full length of the lens. To help avoid getting water inside the extrusion, but will not make waterproof.



- 6.1** Ensure the correct (wattage & voltage) power supply is used to power LineLED. Then proceed to connect LineLED wires from extrusion to power supply. For more information please refer to power supply and LineLED wiring instructions.