



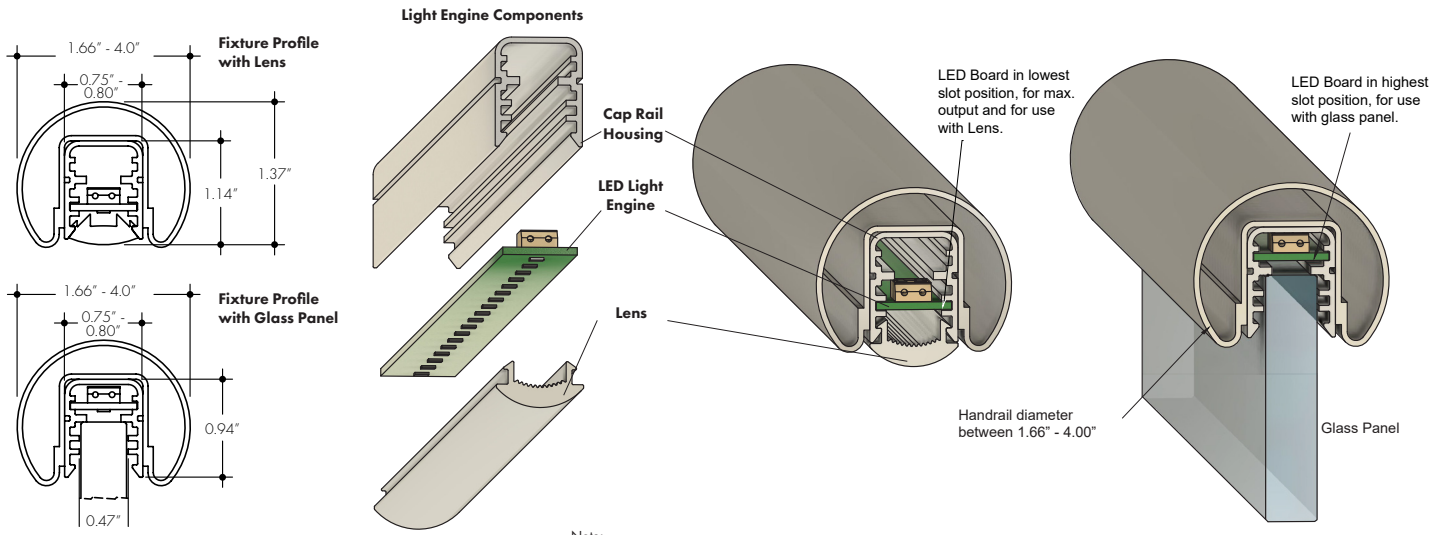
### Features

- For use with C.R. Laurence handrail or hardware designed and manufactured to appropriate specifications
- Installer is responsible for confirming field measurements.
- iLight provides LED light engine, housing, lens, and connection hardware. Handrail and additional hardware to be supplied by others (by C.R. Laurence when specified)
- Easy to assemble and install
- Multiple handrail diameter options
- Dimmable
- Meets A.D.A requirements for handrail diameters
- Cap Rail Housing available in 1' increments up to 6'. Cap Rail Housing, LED Light Engine, and Lens are field cuttable in 4" increments.
- Max run length in Series of 10'. Max total run length per power supply of 20'.
- 80 CRI+
- 50,000 hour LED life
- Low voltage 24VDC, Class 2
- Cool to the touch
- Suitable for wet locations
- Proven high quality
- 5 year warranty



### Profile Dimensions

Dimensions for reference only



Note:  
Housing, LED Light Engine, and Lens are provided by iLight (Luminii), glass panel and Handrail available from C.S. Laurence or other compatible hardware supplier.

### Technical information

All CCT (with 110deg clear lens)	
Lumen/ft	325 lum/ft
Watts/ft	3.1 W/ft
Efficacy	104 lum/W

\*Light transmission through F112S Frosted Lens is 70%

### Ordering code

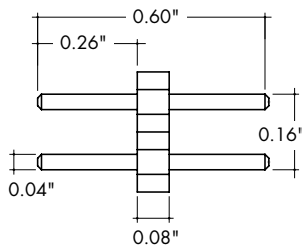
MODEL	LENGTH <sup>1</sup>	CCT	LENS	VERSION
HS - Handrail Lighting System	1 - 6 in 1' increments	W27 - 2700K W30 - 3000K W35 - 3500K W40 - 4000K W50 - 5000K W65 - 6500K	C060A - Clear, 60 Asymmetrical C065S - Clear, 65 Symmetrical C110S - Clear, 110 Symmetrical F112S - Frosted, 120 Symmetrical	01 - Version 1

1 - Cap Rail Housing, LED Light Engine, and Lens are field cuttable in 4" increments.

**Accessories**

**HS-JMP02-01-01**

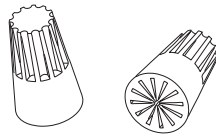
LED Jumper Pins



Used to connect LED Light Engines.

**HS-KIT03-01-00**

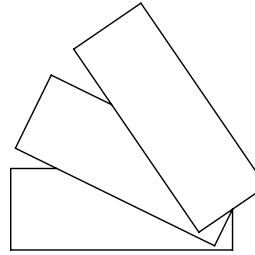
Weatherproof wirenuts



Weatherproof wire nuts, silicon filled. Pack of 10.

**HS-SPC01-01-00**

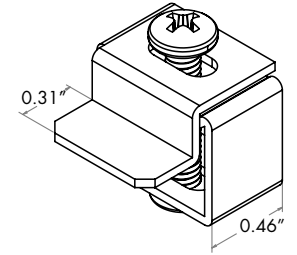
Mounting Shims



Use to shim and secure Cap Rail Housing to Handrail.

**HS-KIT02-01-00**

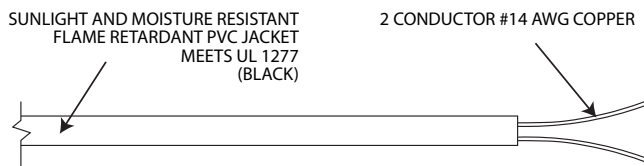
Cap Rail Housing Mounting Clip



Used to secure the Cap Rail Housing to the Handrail.

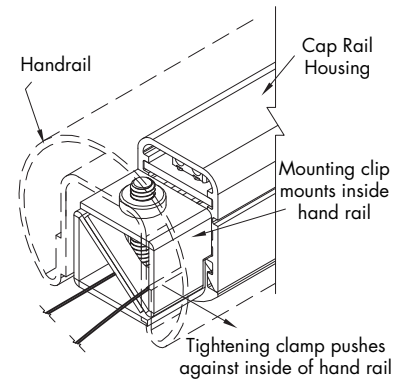
**HS-STW01-050-00**

50' of 14 Gauge, 2 conductor wire for 24VDC



SUNLIGHT AND MOISTURE RESISTANT  
FLAME RETARDANT PVC JACKET  
MEETS UL 1277  
(BLACK)

2 CONDUCTOR #14 AWG COPPER

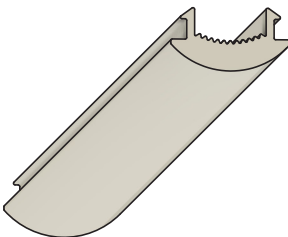


Note:  
• **All accessories to be ordered separately.**

**REPLACEMENT COMPONENTS**

**HS-LNS01-XXXX**

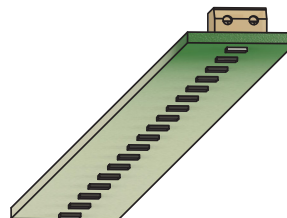
6' Lens Extrusion



-SUFFIX	LENS
-C060A	60 degree Asymmetric
-C110S	110 degree Symmetric
-C065S	65 degree Symmetric
-F112S	Frosted 120 degree Symmetric

**HS-WHT24-XX-01**

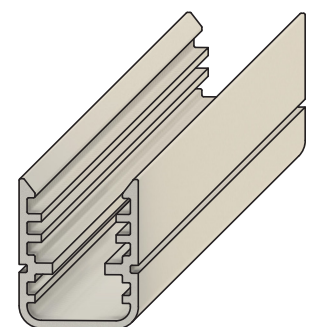
1' LED Light Board



-XX	CCT
-27	2700K
-30	3000K
-35	3500K
-40	4000K
-50	5000K
-65	6500K

**HS-HSG01-00**

6' piece of Cap Rail Housing

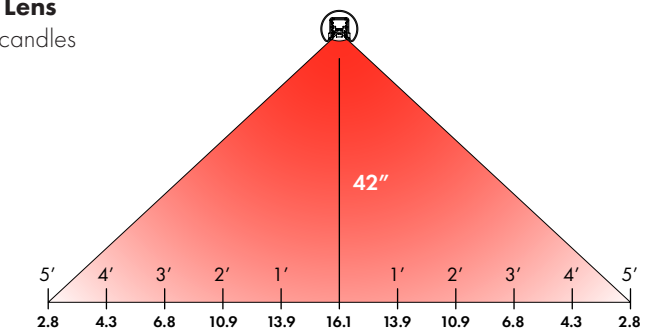
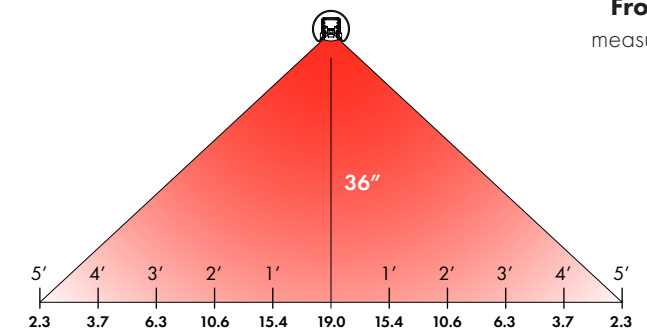
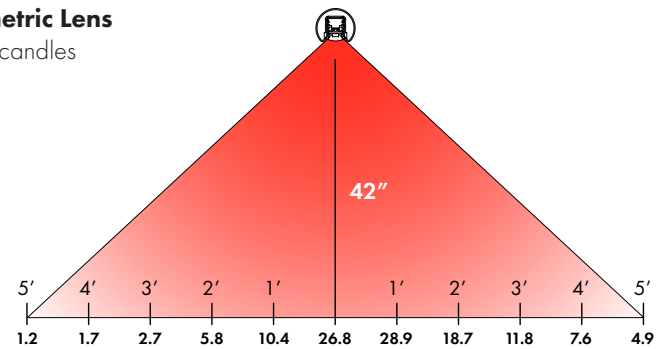
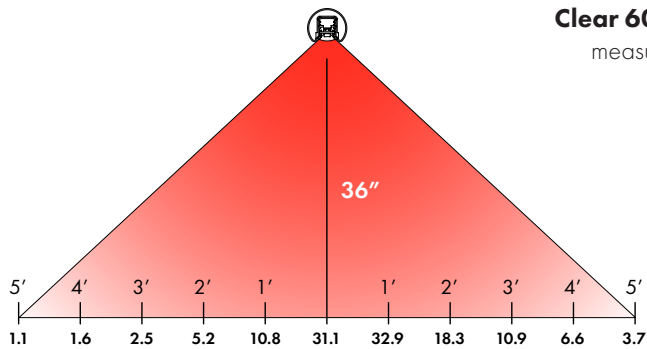
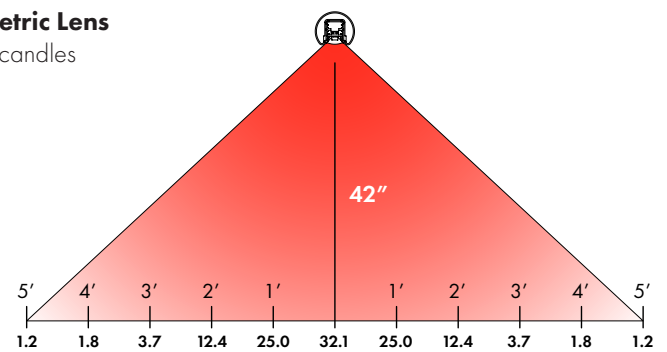
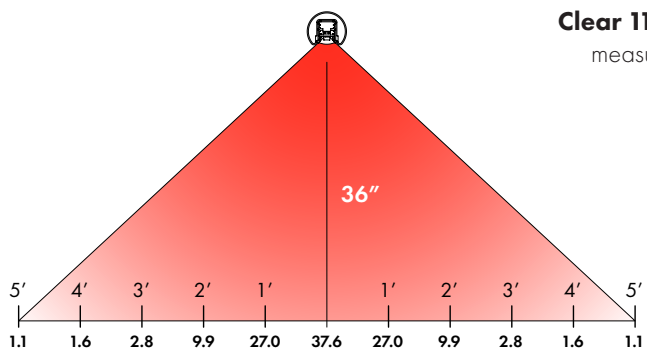
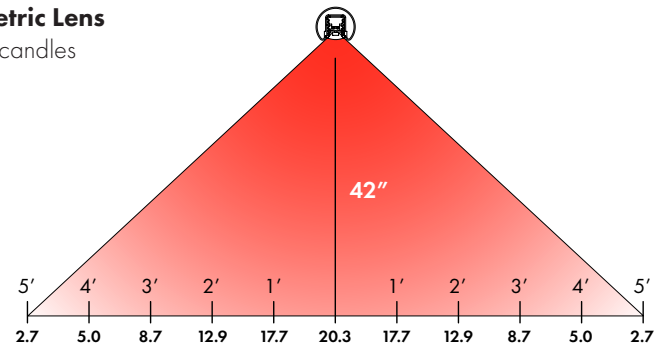
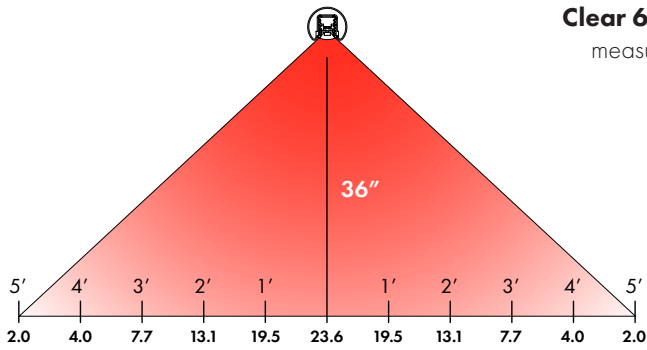


**C.R. Laurence  
Handrail Sizes  
(for reference)**

	GR16	GR20	GR25	GR30	GR35	GR40
Diameter " (mm)	1.66" (42.2mm)	2.0" (50.8mm)	2.5" (63.5mm)	3.0" (76.2mm)	3.5" (88.9mm)	4.0" (101.6mm)

\*Contact C.R. Laurence for Handrails

**Performance and Beam Spread**



**Specification / Bidding / Field Measurements / Installation**

**For a smooth, predictable process and a high quality outcome, you need:**

- a) a high quality light source (iLight)
- b) a high quality hardware system (C.R. Laurence)
- c) an experienced electrical contractor, and
- d) an experienced handrail installer (e.g. ornamental ironworker, metal shop, glazing company).

A bundled illuminated handrail system (lighting and hardware together) conflicts with how the trades like to do business. If an EC does not provide the lighting, they won't warrant it. And if a handrail installer does not provide the hardware, they won't warrant that. And neither trade wants to purchase material for the other trade.

That's why many general contractors demand that the handrail installer provides the hardware and the electrical contractor provides the lighting. This makes iLight the ideal solution: electrical contractors and handrail installers have been working together for over 10 years to successfully install the iLight Handrail Lighting System on compatible C.R. Laurence handrails.

Phase	Hardware for Handrail	Light Source for Handrail
<p><b>Specification</b></p>	<p>C.R. Laurence ("CRL") handrail hardware model compatible with iLight Handrail Lighting System, including CRL Cap Rail models:</p> <ul style="list-style-type: none"> <li>• GR16 (diameter: 1.66", 42.2mm)</li> <li>• GR20 (diameter: 2.0", 50.8mm)</li> <li>• GR25 (diameter: 2.5", 63.5mm)</li> <li>• GR30 (diameter: 3.0", 76.2mm)</li> <li>• GR35 (diameter: 3.5", 88.9mm)</li> <li>• GR40 (diameter: 4.0", 101.6mm)</li> </ul> <p>or custom CRL hardware designed to meet the specifications of the iLight Handrail Lighting System. Specification in the "Metals" division.</p> <p>Please cross reference the iLight Handrail Lighting System specification.</p>	<p><b>iLight Handrail Lighting System Specification in the lighting section of the "Electrical" division.</b></p> <ul style="list-style-type: none"> <li>• 2700K (260 lumens* / foot)</li> <li>• 3000K (260 lumens* / foot)</li> <li>• 3500K (260 lumens* / foot)</li> <li>• 4000K (260 lumens* / foot)</li> <li>• 6500K (260 lumens* / foot)</li> </ul> <p>(* Lumen data based on actual light output of luminaire, not the higher output of the "raw" LEDs. Measured with 60° asymmetrical lens.)</p> <p><b>Beam Spread Options</b></p> <ul style="list-style-type: none"> <li>• Clear 60° asymmetrical</li> <li>• Clear 65° symmetrical</li> <li>• Clear 110° symmetrical</li> <li>• Frosted 120° symmetrical</li> </ul> <p>Please cross reference the handrail hardware specification.</p>
<p><b>Bidding</b></p>	<p><b>Handrail Installer bids the hardware</b></p>	<p><b>Electrical Contractor bids the light source</b></p>
<p><b>Field Measurements</b></p>	<p><b>Handrail Installer</b></p>	<p><b>Not Required</b></p> <p>Small variations from plan to actual would not significantly change costs for the iLight Handrail Lighting System.</p> <ul style="list-style-type: none"> <li>• iLight light engine comes in 1-foot sections, cuttable every 4 inches</li> <li>• Housing &amp; lens come in 6-foot sections and are field cuttable</li> <li>• Up to 20 feet per power supply; (two 10-foot runs)</li> </ul>
<p><b>Installation</b></p>	<p><b>Handrail Installer</b></p>	<p><b>Electrical Contractor</b></p>

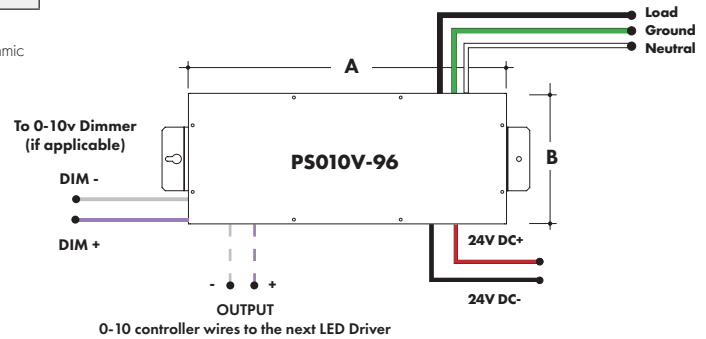
## Power Supplies

See fixture and power supply instructions & spec sheet for wiring information. Dimming possible in select models - view Luminii website for list of compatible dimmers.

### 0-10V Dimming Power Supplies

MODEL	POWER	OUTPUT	DIMMING
<b>PS010V</b>	<b>96</b>	<b>24</b>	<b>LIN</b>
PS010V - 0-10V Power Supply dims down to 0%	96 - 96 Watt	24 - 24 VDC	LIN - Linear LOG - Logarithmic

MODELS	96W
<b>A Length</b>	14.40"
<b>B Width</b>	5.20"
<b>Depth</b>	2.60"

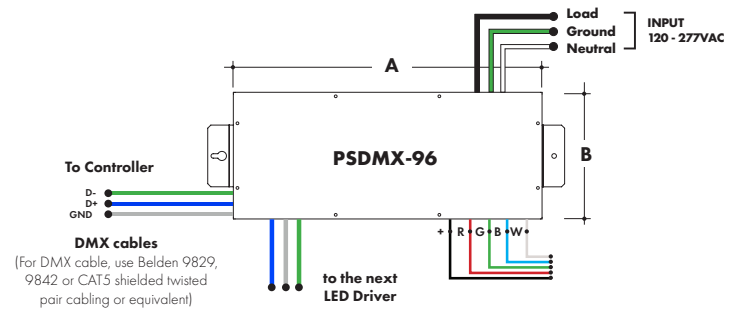


### DMX Dimming Power Supplies

MODEL	POWER	OUTPUT
<b>PSDMX</b>	<b>96</b>	<b>24</b>
PSDMX - DMX Power Supply	96 - 96 Watt	24 - 24 VDC

Features eldoLED's LINEARdrive configurable dimmable drivers

MODELS	96W
<b>A Length</b>	14.40"
<b>B Width</b>	5.20"
<b>Depth</b>	2.60"

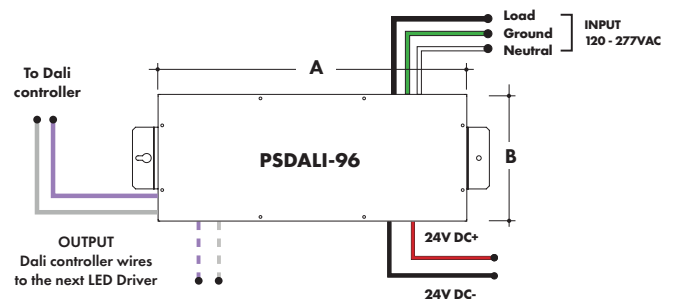


### DALI Dimming Power Supplies

MODEL	POWER	OUTPUT
<b>PSDALI</b>	<b>96</b>	<b>24</b>
PSDALI - DALI Power Supply dims down to 0%	96 - 96 Watt	24 - 24 VDC

Features eldoLED's LINEARdrive configurable dimmable drivers

MODELS	96W
<b>A Length</b>	14.40"
<b>B Width</b>	5.20"
<b>Depth</b>	2.60"



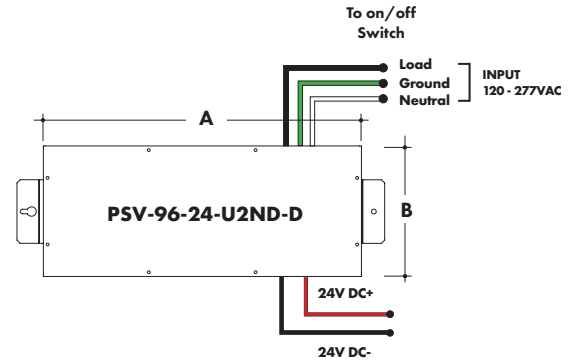
## Power Supplies

See fixture and power supply instructions & spec sheet for wiring information. Dimming possible in select models - view Luminii website for list of compatible dimmers.

### Non-Dimming Power Supply

MODEL	POWER	OUTPUT	DIMMING	LOCATION
<b>PSV</b>	<b>96</b>	<b>24</b>	<b>U2ND</b>	<b>D</b>
PSV - PSV Series	96 - 96 Watt	24 - 24 VDC	U2ND - Non Dimming	D - Damp

MODELS	96W
<b>A Length</b>	14.40"
<b>B Width</b>	5.20"
<b>Depth</b>	2.60"



### Universal Power Supply

MODEL	LOCATION	POWER	OUTPUT
<b>PDCU</b>	<b>D</b>	<b>30</b>	<b>24</b>
PDCU - PDCU Series	D - Dry (IP20)	30 - 30 Watt 60 - 60 Watt 96 - 96 Watt 3x96 - 3x96 Watt	24 - 24 VDC
	W - Wet (IP66)	96 - 96 Watt 3x96 - 3x96 Watt	

- 0-10V - 1% dimming
- MLV/ELV/TRIAC - 1% dimming

MODELS	30W	60W	96W	3X96W
<b>A Length</b>	6.50"	7.40"	8.66"	11.83"
<b>B Width</b>	3.73"	3.73"	3.73"	4.32"
<b>Depth</b>	1.61"	1.61"	1.61"	1.81"

