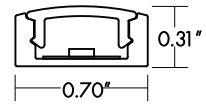


# Discontinued Extrusion - Cross Reference

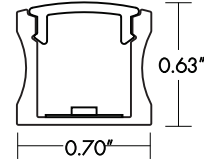
Reference diagram below to compare new models to the old discontinued models

## OLD MODELS

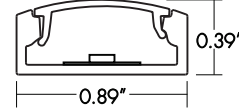
SL7 Channel (SL7-XX)



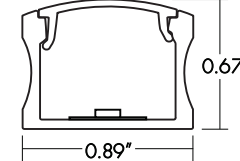
SL15 Channel (SL15-XX)



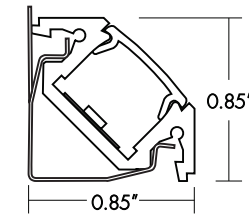
SLW8 Channel (SLW8-XX)



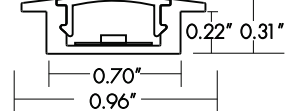
SLW15 Channel (SLW15-XX)



K45M Channel (K45MC-XX)

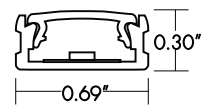


RSL7 Channel (RSL7-XX)

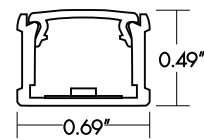


## NEW MODELS

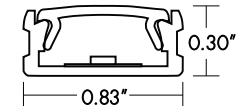
KS Channel (KSC-XX)



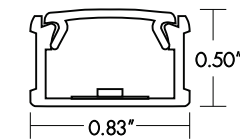
KM Channel (KMC-XX)



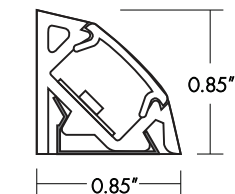
KL Channel (KLC-XX)



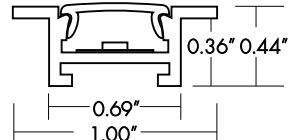
KXL Channel (KXLC-XX)



K45M Channel (K45MC-XX)



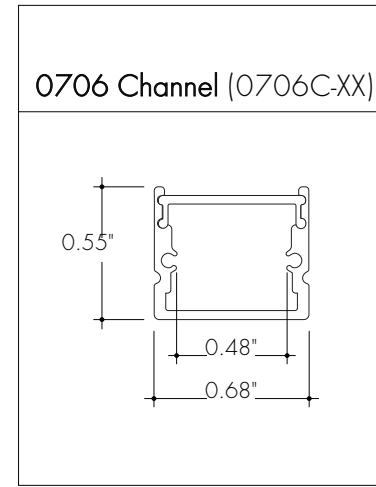
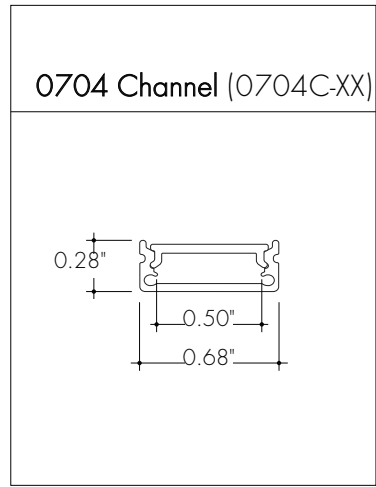
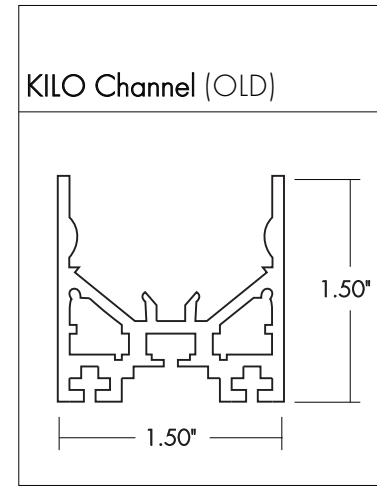
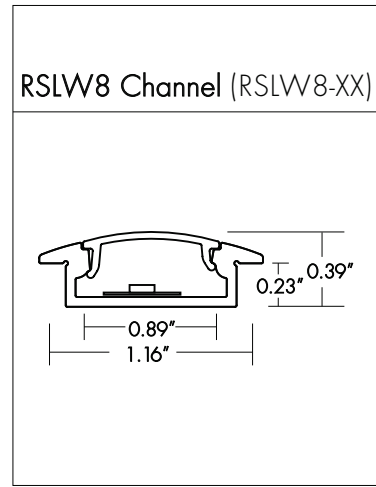
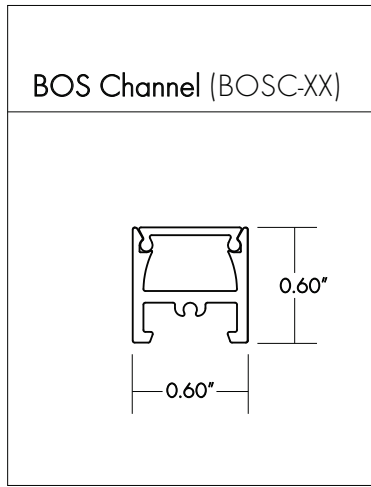
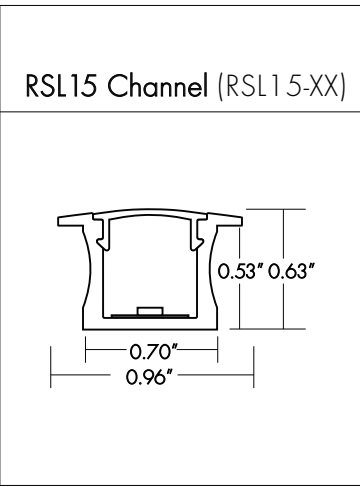
KRS Channel (KRSC-XX)



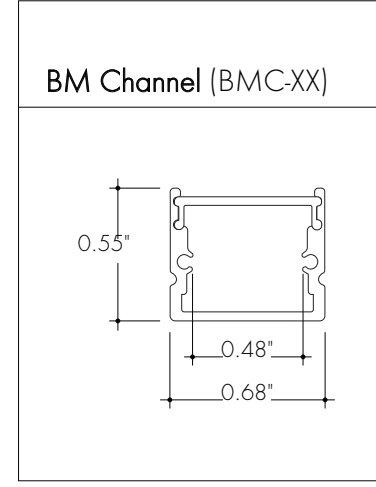
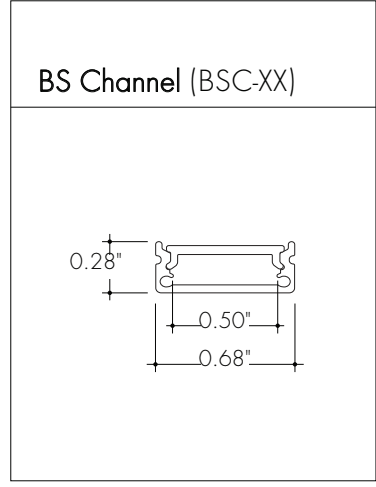
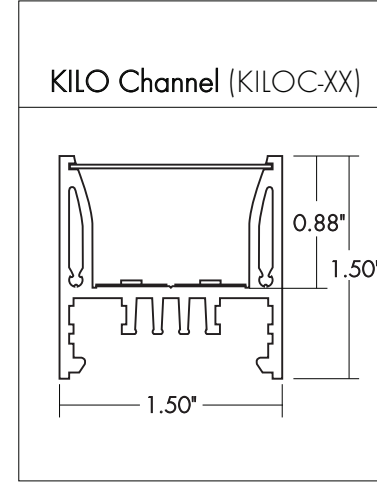
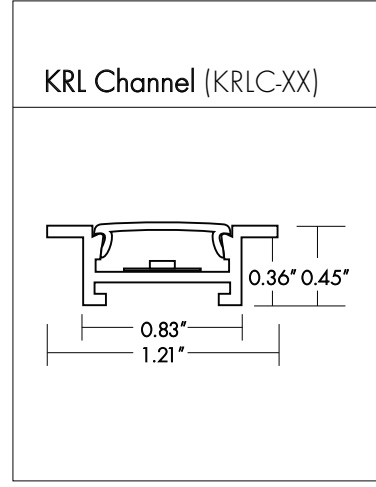
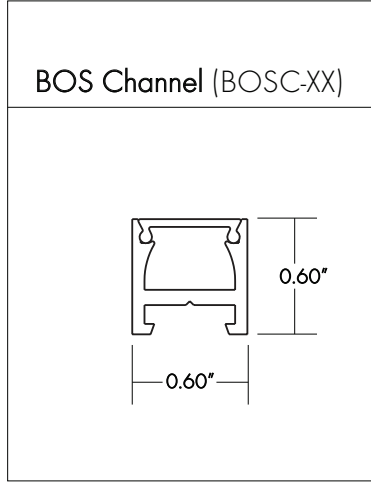
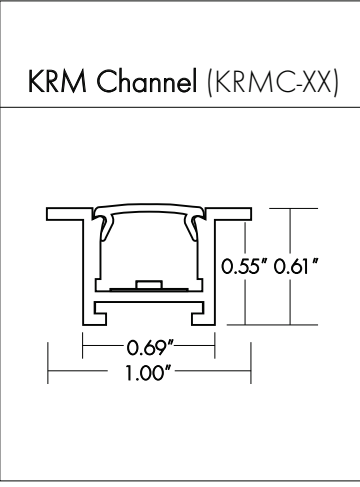
# Discontinued Extrusion - Cross Reference

Reference diagram below to compare new models to the old discontinued models

## OLD MODELS



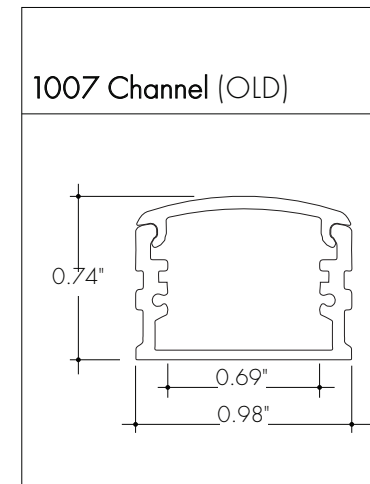
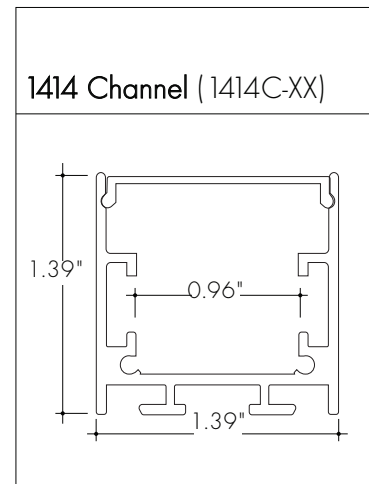
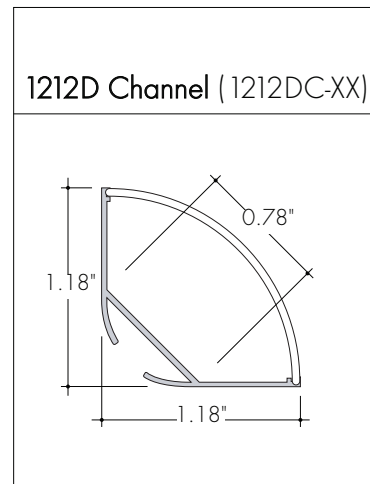
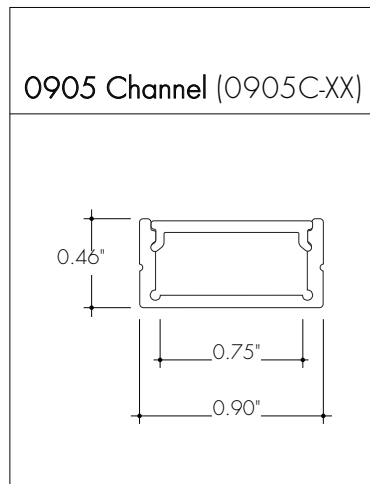
## NEW MODELS



# Discontinued Extrusion - Cross Reference

Reference diagram below to compare new models to the old discontinued models

## OLD MODELS



## NEW MODELS

