

Features

- Ceiling thickness must be between 1/4" and 1" (6mm & 25mm).
- Faceted and Smooth metal reflectors provide beam spreads between 15° to 60°
- Nine drivers selections available to cover wide range of applications.
- Four output options available up to 2000 lumens.
- Five year warranty.

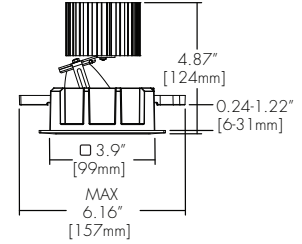
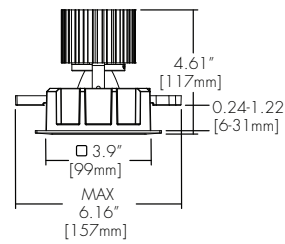
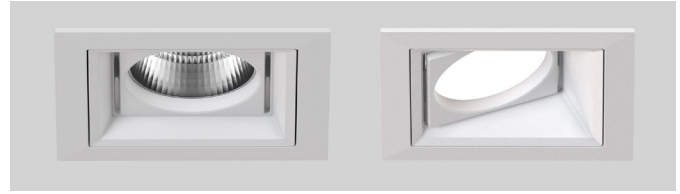
Finish Options

- White
- Black
- Silver



Downlight

Wall Wash



Technical Information

TYPE	WD1830				TW2765
	700 lm	1000 lm	1500 lm	2000 lm	1500 lm
OUTPUT OPTIONS	700 lm	1000 lm	1500 lm	2000 lm	1500 lm
Fixture wattage	7.6 W	12.2 W	16.0 W	24.3 W	14.9 W
Delivered Lumen at full on	713 lm	1042 lm	1452 lm	2025 lm	1445 lm
Efficacy	94 lm/W	85 lm/W	91 lm/W	83 lm/W	97 lm/W
Center Beam Candlepower (15° Faceted Reflector)	4009 cd	5859 cd	8164 cd	11386 cd	8125 cd

CCT	CRI	TM-30		
		R _f	R _g	R ₉
1800K	94	90	93	61
3000K	94	89	97	72
2700K	91	90	96	59
6500K	93	87	97	73

Ordering Code

Example: Fixture ENY2-D-TR-07-WD1830-F15-NA-WH-WH
HRM-ENY2-D-TR-07-WD1830-PHSD-NA

Fixture

MODEL	TYPE	TRIM	OUTPUT	CCT	OPTIC	ACCESSORY	TRIM FINISH	BAFFLE FINISH
ENY2-Enyo 2 ¹	D-Fixed Downlight W-Wall Wash ¹	TR-Trimmed	07-700 lumens 10-1000 lumens 15-1500 lumens 20-2000 lumens	WD1830-Warm Dim, 1800K-3000K TW2765-Tunable White, 2700K-6500K ^{7,8,9}	F15-15 Degree, Faceted F30-30 Degree, Faceted F45-45 Degree, Faceted F60-60 Degree, Faceted S30-30 Degree, Smooth S45-45 Degree, Smooth	NA-No Accessory CL-Clear Lens DL-Diffusing Lens HC-Honeycomb Louver SL-Solite Lens SP-Spread Lens	WH-White BK-Black SL-Silver	WH-White BK-Black SL-Silver

HOUSING	MODEL	TRIM	OUTPUT	CCT	DRIVER	DRIVER OPTIONS
HRM-Remote Power Supply (Non-IC) HP-New Construction Pan (Non-IC) HIC-Housing, IC Rated ²	ENY2-D-Enyo 2 ¹ Fixed Downlight ENY2-W-Enyo 2 ¹ Wall Wash	Same as Fixture	Same as Fixture	Same as Fixture	PHSD-Forward/Reverse Phase, 1% Dimming, 120V Only 010S-0-10V, 1% Dimming, 120/277V 0103-0-10V, 1% Dimming, 347V Only 010L-EldoLED, 0-10V, Linear, 0.1% Dimming, 120/277V ⁴ 010G-EldoLED, 0-10V, Log, 0.1% Dimming, 120/277V ⁴ DALI-EldoLED, DALI Protocol 2, DT-6, 0.1% Dimming, 120/277V ⁴ DALI8-EldoLED, DALI Protocol 2, DT-8, 0.1% Dimming, 120/277V ⁴ LUTE-Lutron Hilume Ecodigital, 1% Dimming, 120V/277V ^{3,4} DMX-EldoLED, DMX, 0.1% Dimming, 120V/277V ⁴	NA-None EMG-Emergency Driver ^{4,5} AWN- Athena ⁶

1 - Wall Wash is only available with Optic F15 - 15 Degree, Faceted and DL - Diffusing Lens.
 2 - Housing HIC is not available when output exceeds 1500 lumens.
 3 - LUTE driver is not available at 700 lumens.
 4 - Drivers 010L/010G/DALI/DALI8/LUTE/DMX/EMG are only available with HRM - Remote Power Supply.
 5 - Emergency option comes prewired from factory with driver in remote housing. 8W of continuous power provided for a minimum of 90 minutes. Must be installed within 30 feet of luminaire using 18 AWG wire. Only available with 010S/010L/010G/PHSD/DALI Drivers.
 6 - AWNR only available with HP/HIC Housings and 010S Driver.
 7 - TW2765 only available with 1500 lumens.
 8 - TW2765 only available with Drivers 010L/010G/DALI8/DMX. Cannot use with EMG.
 9 - TW2765 requires HRM - Remote Power Supply.

CONTACT FACTORY FOR MORE OPTIONS

Dimensions

Trimmed



Downlight & Adjustable Lens

CL
Clear Lens



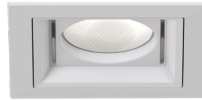
DL
Diffusing Lens



HC
Honeycomb Louver



SP
Spread Lens



SL
Solite Lens



Wall Wash Lens

DL
Diffusing Lens



Optics

Faceted Reflector
(15°, 30°, 45°, 60°)



Smooth Reflector
(30°, 45°)

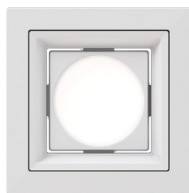


Trim Finishes

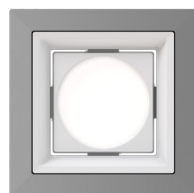
01
Black



02
White

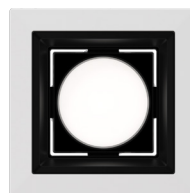


08
Silver

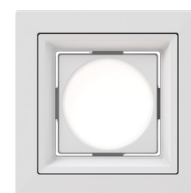


Baffle Finishes

01
Black



02
White



08
Silver



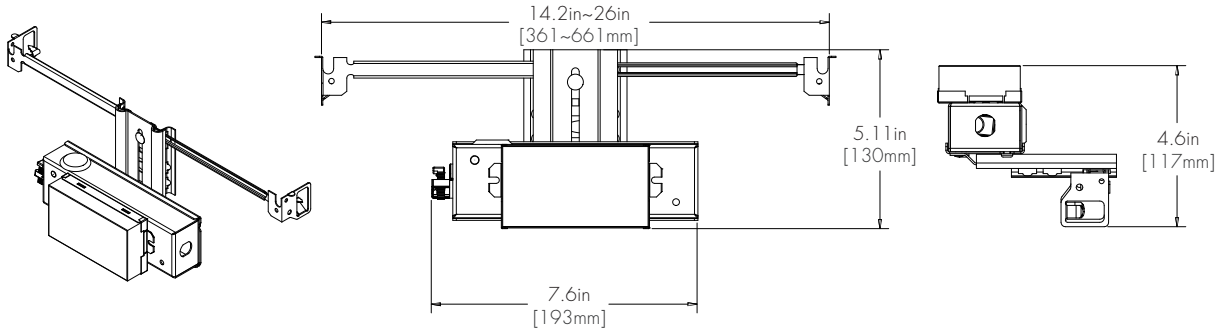
Any combination may be used for Trim and Baffle finishes.

Remote Driver Housing

Maximum mounting distance to luminaire using 18 AWG wire

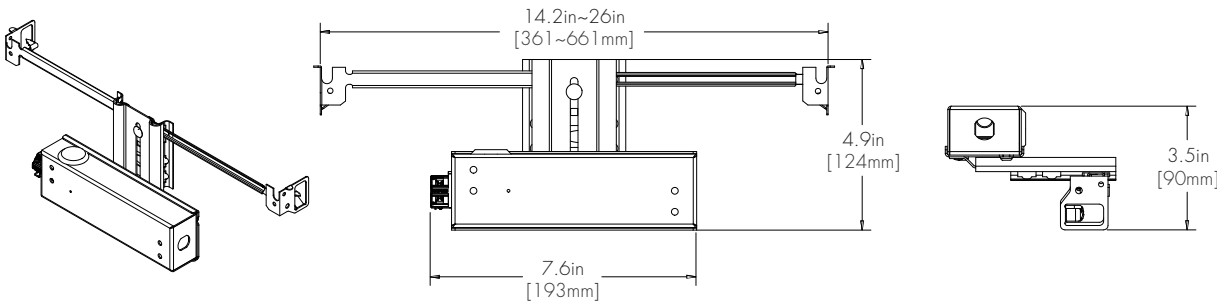
010S	PHSD	010L	010G	DALI DALI8	DMX	LUTE
16'	16'	72'	72'	72'	149'	15'

HRM Single with Externally Mounted Driver



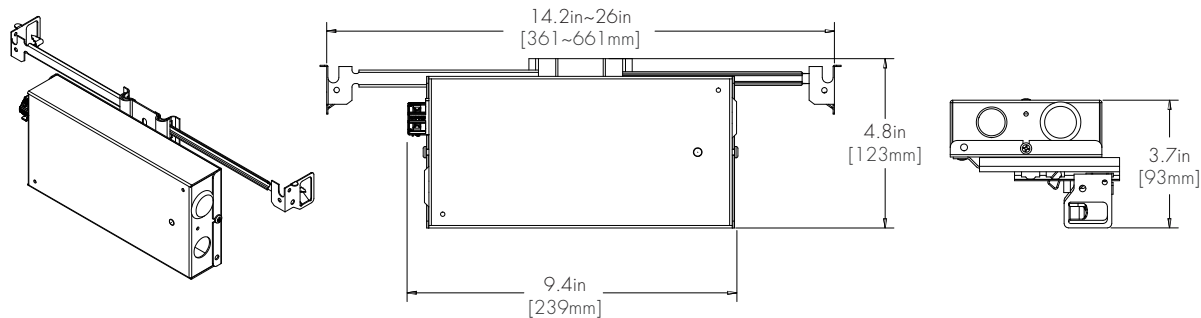
Driver	+	Driver Option
010L	+	NA
010G	+	NA
010S	+	NA
DALI	+	NA
LUTE	+	NA

HRM Single



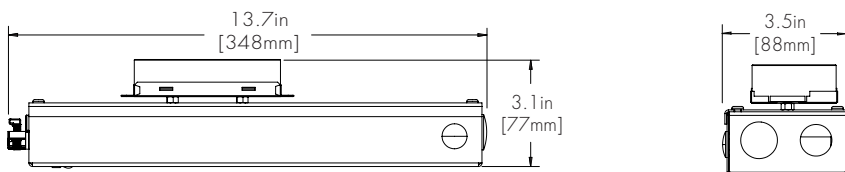
Driver	+	Driver Option
PHSD	+	NA

HRM Double



Driver	+	Driver Option
DALI8	+	NA
DMX	+	NA

EMG Emergency Driver (120 minutes EMG operation time)

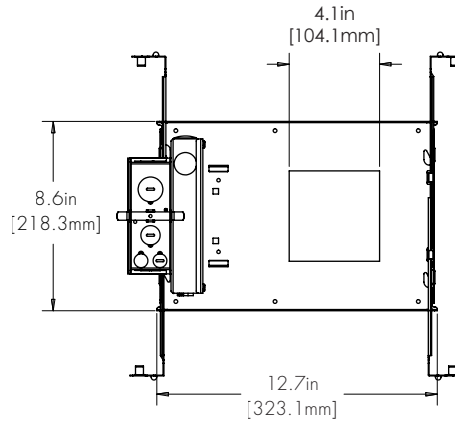
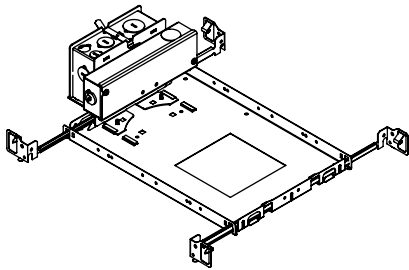


Driver	+	Driver Option
010L	+	EMG
010G	+	EMG
010S	+	EMG
DALI	+	EMG
PHSD	+	EMG

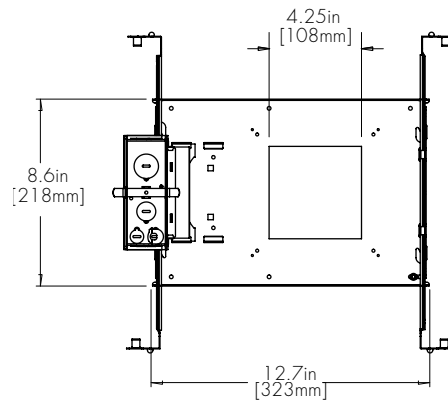
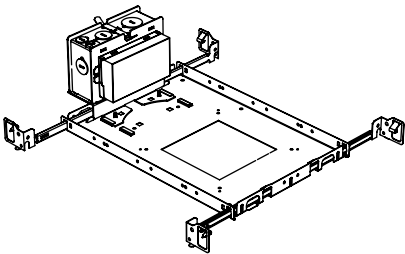
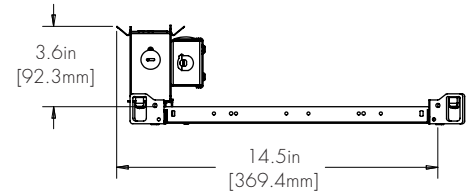
Remote Driver Housing

HP

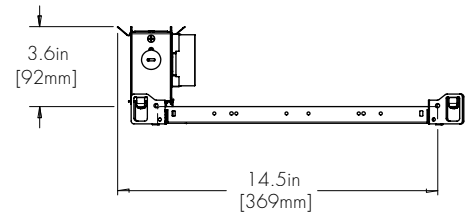
New Construction Pan (Non-IC)



Driver	+ Driver Option
PHSD	+ NA

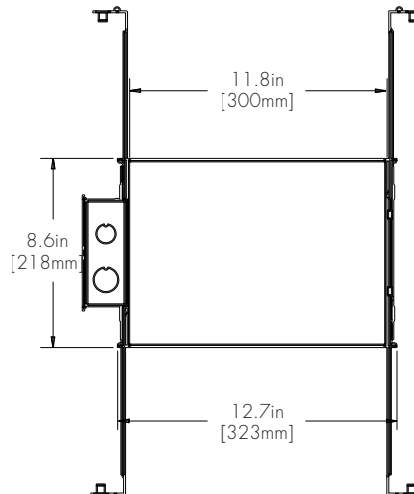
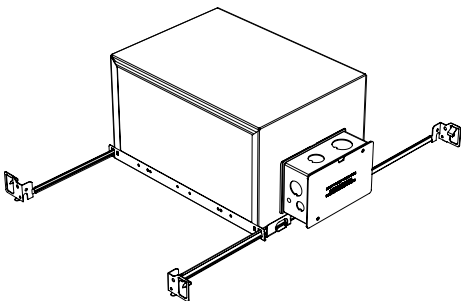


Driver	+ Driver Option
010S	+ NA
010S	+ AWRN

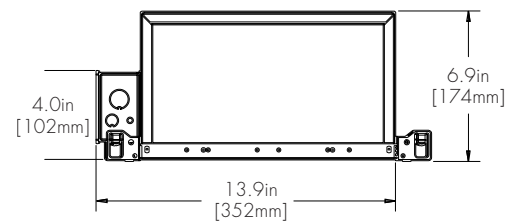


HIC

Housing, IC Rated



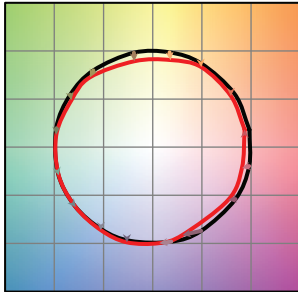
Driver	+ Driver Option
PHSD	+ NA
010S	+ NA
010S	+ AWRN



TM-30

Warm Dim 1800K

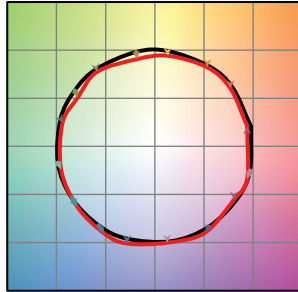
COLOR VECTOR GRAPHIC



— Reference Source — Test Source

Warm Dim 3000K

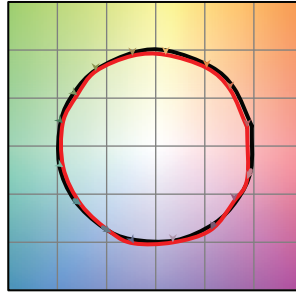
COLOR VECTOR GRAPHIC



— Reference Source — Test Source

Tunable White 2700K

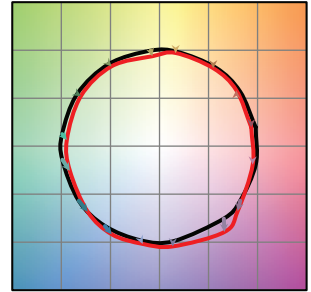
COLOR VECTOR GRAPHIC



— Reference Source — Test Source

Tunable White 6500K

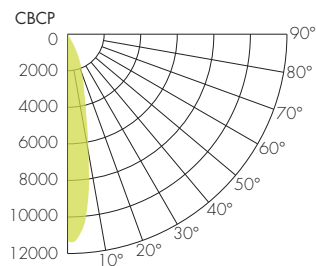
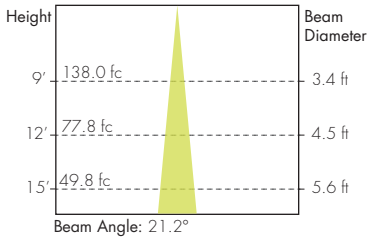
COLOR VECTOR GRAPHIC



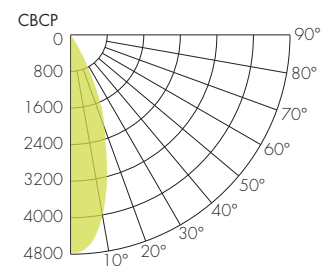
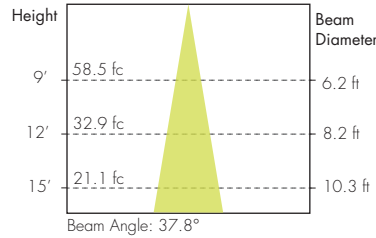
— Reference Source — Test Source

Photometry

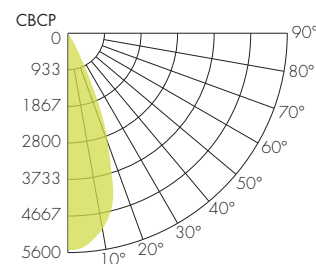
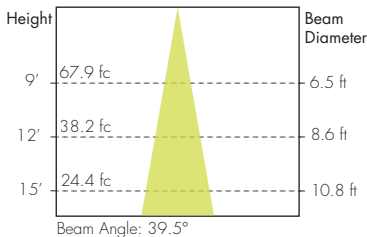
15° Faceted Reflector



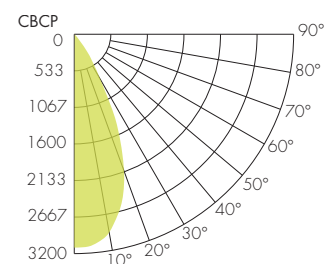
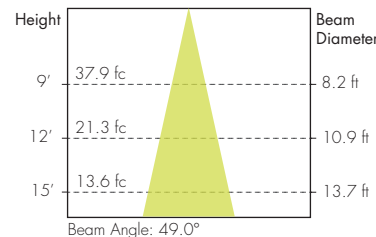
30° Smooth Reflector



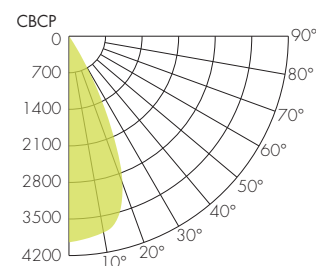
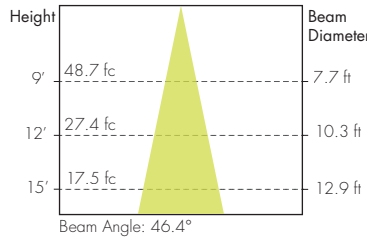
30° Faceted Reflector



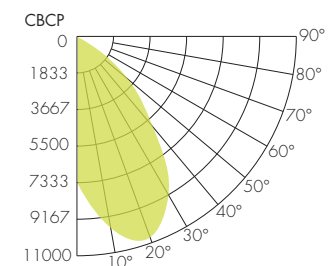
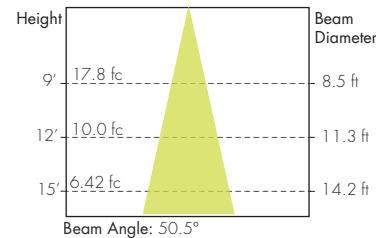
45° Smooth Reflector



45° Faceted Reflector



Wall Wash 15° Faceted Reflector



60° Faceted Reflector

