

# DOMINO 2 RECESSED

## 12° NARROW BEAM



### TECHNICAL DESCRIPTION

Domino 2 Recessed is a Constant Current multi source LED spotlight that is machined from aerospace grade aluminium 6063-T6 and comes as standard in white, black and brushed aluminium. It has five site-changeable beam distributions including elliptical beams. The narrow beam in our 4.48W 360lm module has a peak intensity of 3132cd.

### MECHANICAL & ELECTRICAL

<b>CATEGORY</b> IP20	<b>WATTAGE</b> 4.48W
<b>MATERIAL</b> Machined AL 6063-T6	<b>FORWARD VOLTAGE</b> 6.4V
<b>PAN</b> N/A	<b>DRIVE CURRENT</b> 700mA
<b>TILT</b> N/A	<b>SUPPLY TYPE</b> Constant Current
<b>LOCKABLE</b> N/A	<b>DRIVER LOCATION</b> Remote
<b>WEIGHT</b> 104g   0.23lb	<b>DIMMING</b> DALI   0-10V   1-10V   Casambi

### MOUNTING





<b>MOUNTING</b> Recessed	<b>CUTOUT</b> ø44mm x 22mm (1.73" x 0.86")
<b>CEILING THICKNESS</b> 5-25mm (0.20-0.98")	<b>MIN CEILING VOID</b> 20mm (0.79") clearance above

### FINISHES

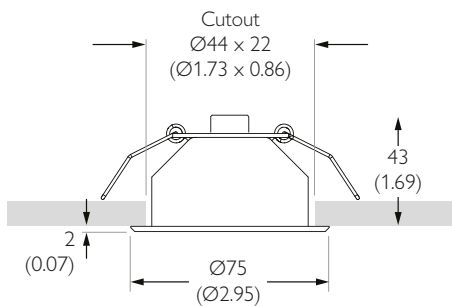
**FINISHES** Brushed Aluminium | Black RAL9005 | White RAL9010

\*Premium & custom finishes are built & finished to order. These are subject to an extended lead time & MOQ.

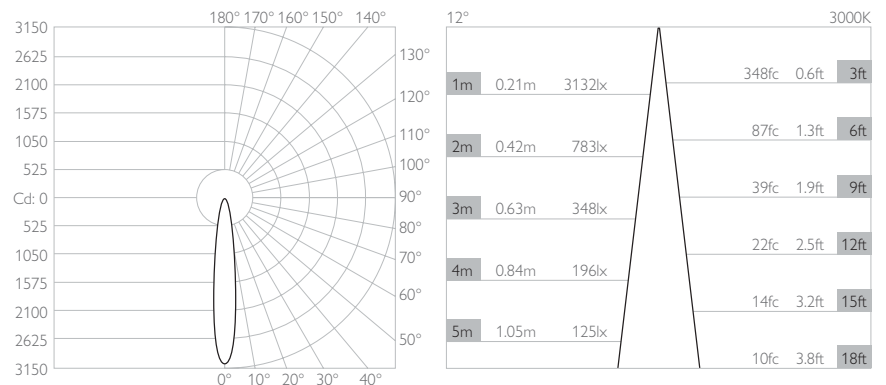
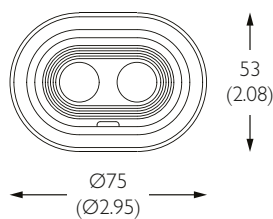
### OPTICAL & STANDARDS

<b>NOMINAL LUMENS</b> 360lm	<b>BEAM ANGLE</b> 12°
<b>DELIVERED LUMENS</b> 328lm	<b>CRI</b> 95 TYP
<b>COLOUR TEMPERATURE</b> 2700K   3000K	<b>TM-30</b> RF: 93 RG: 99
<b>ACCESSORY HOLDER</b> N/A	<b>WARRANTY</b> 5 Years
<b>ACCESSORIES</b> N/A	<b>LIFETIME</b> L90B10 100,000hrs
<b>TM65</b> 8.83kgCO2e	<b>STANDARDS</b>
<b>TM66</b> 2.2	   

Photometry shown is for 3000K module. Please enquire for other CCT photometry.



mm (inches)



### LUMINAIRE FINISH

White 9010	Black 9005	Brushed Aluminium	Rubbed Bronze*	Polished Brass*	Brushed Brass*
TX-652-WH-XX9512	TX-652-BK-XX9512	TX-652-AL-XX9512			

\*All premium & custom finishes are built & finished to order. These are subject to an extended lead time & MOQ

For 3000K Substitute XX with 30

For 2700K Substitute XX with 27

# DOMINO 2 RECESSED

## 30° FLOOD BEAM



### TECHNICAL DESCRIPTION

Domino 2 Recessed is a Constant Current multi source LED spotlight that is machined from aerospace grade aluminium 6063-T6 and comes as standard in white, black and brushed aluminium. It has five site-changeable beam distributions including elliptical beams. The flood beam in our 4.48W 360lm module has a peak intensity of 940cd.

### MECHANICAL & ELECTRICAL

<b>CATEGORY</b> IP20	<b>WATTAGE</b> 4.48W
<b>MATERIAL</b> Machined AL 6063-T6	<b>FORWARD VOLTAGE</b> 6.4V
<b>PAN</b> N/A	<b>DRIVE CURRENT</b> 700mA
<b>TILT</b> N/A	<b>SUPPLY TYPE</b> Constant Current
<b>LOCKABLE</b> N/A	<b>DRIVER LOCATION</b> Remote
<b>WEIGHT</b> 104g   0.23lb	<b>DIMMING</b> DALI   0-10V   1-10V   Casambi

### MOUNTING





<b>MOUNTING</b> Recessed	<b>CUTOUT</b> ø44mm x 22mm (1.73" x 0.86")
<b>CEILING THICKNESS</b> 5-25mm (0.20-0.98")	<b>MIN CEILING VOID</b> 20mm (0.79") clearance above

### FINISHES

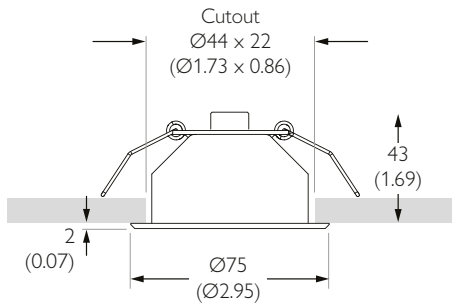
**FINISHES** Brushed Aluminium | Black RAL9005 | White RAL9010

\*Premium & custom finishes are built & finished to order. These are subject to an extended lead time & MOQ.

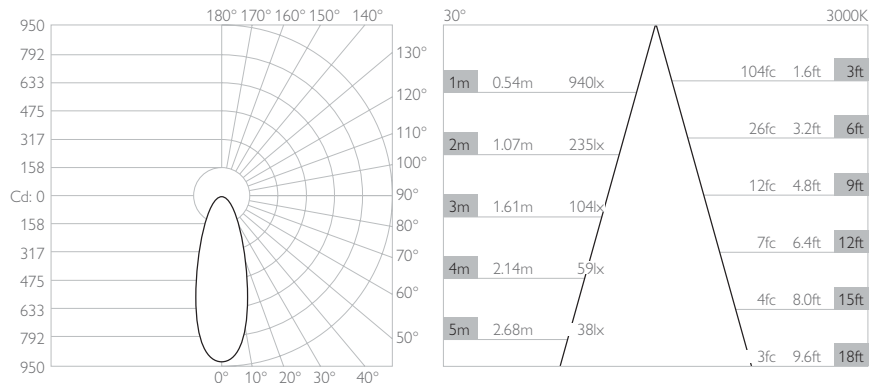
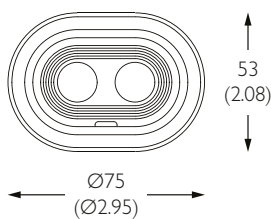
### OPTICAL & STANDARDS

<b>NOMINAL LUMENS</b> 360lm	<b>BEAM ANGLE</b> 30°
<b>DELIVERED LUMENS</b> 300lm	<b>CRI</b> 95 TYP
<b>COLOUR TEMPERATURE</b> 2700K   3000K	<b>TM-30</b> RF: 93 RG: 99
<b>ACCESSORY HOLDER</b> N/A	<b>WARRANTY</b> 5 Years
<b>ACCESSORIES</b> N/A	<b>LIFETIME</b> L90B10 100,000hrs
<b>TM65</b> 8.83kgCO2e	<b>STANDARDS</b>
<b>TM66</b> 2.2	   

Photometry shown is for 3000K module. Please enquire for other CCT photometry.



mm (inches)



### LUMINAIRE FINISH

White 9010	Black 9005	Brushed Aluminium	Rubbed Bronze*	Polished Brass*	Brushed Brass*
TX-652-WH-XX9530	TX-652-BK-XX9530	TX-652-AL-XX9530			

\*All premium & custom finishes are built & finished to order. These are subject to an extended lead time & MOQ

For 3000K Substitute XX with 30

For 2700K Substitute XX with 27

# DOMINO 2 RECESSED

## 60° WIDE FLOOD BEAM



### TECHNICAL DESCRIPTION

Domino 2 Recessed is a Constant Current multi source LED spotlight that is machined from aerospace grade aluminium 6063-T6 and comes as standard in white, black and brushed aluminium. It has five site-changeable beam distributions including elliptical beams. The wide flood beam in our 4.48W 360lm module has a peak intensity of 326cd.

### MECHANICAL & ELECTRICAL

<b>CATEGORY</b> IP20	<b>WATTAGE</b> 4.48W
<b>MATERIAL</b> Machined AL 6063-T6	<b>FORWARD VOLTAGE</b> 6.4V
<b>PAN</b> N/A	<b>DRIVE CURRENT</b> 700mA
<b>TILT</b> N/A	<b>SUPPLY TYPE</b> Constant Current
<b>LOCKABLE</b> N/A	<b>DRIVER LOCATION</b> Remote
<b>WEIGHT</b> 104g   0.23lb	<b>DIMMING</b> DALI   0-10V   1-10V   Casambi

### MOUNTING

<b>MOUNTING</b> Recessed	<b>CUTOUT</b> ø44mm x 22mm (1.73" x 0.86")
<b>CEILING THICKNESS</b> 5-25mm (0.20-0.98")	<b>MIN CEILING VOID</b> 20mm (0.79") clearance above

### FINISHES

**FINISHES** Brushed Aluminium | Black RAL9005 | White RAL9010

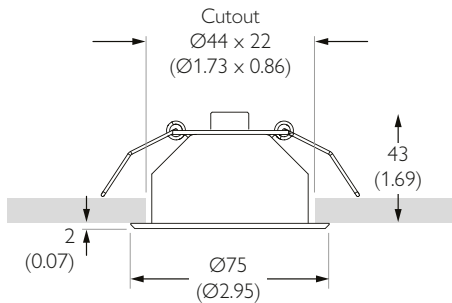
\*Premium & custom finishes are built & finished to order. These are subject to an extended lead time & MOQ.

### OPTICAL & STANDARDS

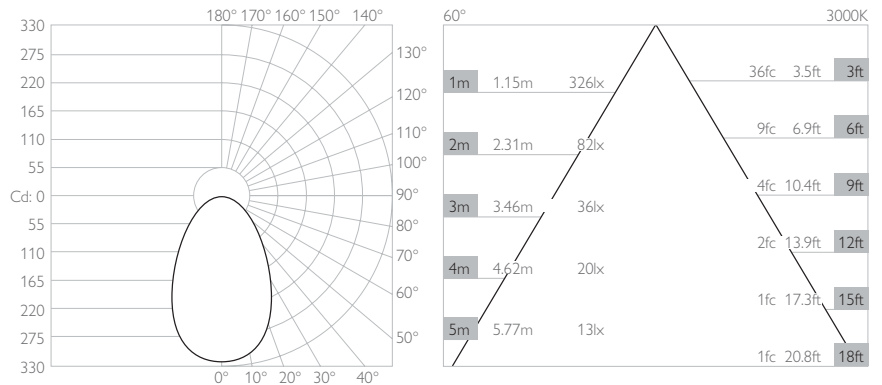
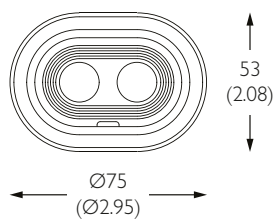
<b>NOMINAL LUMENS</b> 360lm	<b>BEAM ANGLE</b> 60°
<b>DELIVERED LUMENS</b> 326lm	<b>CRI</b> 95 TYP
<b>COLOUR TEMPERATURE</b> 2700K   3000K	<b>TM-30</b> RF: 93 RG: 99
<b>ACCESSORY HOLDER</b> N/A	<b>WARRANTY</b> 5 Years
<b>ACCESSORIES</b> N/A	<b>LIFETIME</b> L90B10 100,000hrs
<b>TM65</b> 8.83kgCO2e	<b>STANDARDS</b>
<b>TM66</b> 2.2	



Photometry shown is for 3000K module. Please enquire for other CCT photometry.



mm (inches)



### LUMINAIRE FINISH

White 9010	Black 9005	Brushed Aluminium	Rubbed Bronze*	Polished Brass*	Brushed Brass*
TX-652-WH-XX9560	TX-652-BK-XX9560	TX-652-AL-XX9560			

\*All premium & custom finishes are built & finished to order. These are subject to an extended lead time & MOQ

For 3000K Substitute XX with 30

For 2700K Substitute XX with 27

# DOMINO 2 RECESSED

## 12X35° ELLIPSE BEAM



### TECHNICAL DESCRIPTION

Domino 2 Recessed is a Constant Current multi source LED spotlight that is machined from aerospace grade aluminium 6063-T6 and comes as standard in white, black and brushed aluminium. It has five site-changeable beam distributions including elliptical beams. The ellipse beam in our 4.48W 360lm module has a peak intensity of 1944cd.

### MECHANICAL & ELECTRICAL

**CATEGORY** IP20

**MATERIAL** Machined AL 6063-T6

**PAN** N/A

**TILT** N/A

**LOCKABLE** N/A

**WEIGHT** 104g | 0.23lb

**WATTAGE** 4.48W

**FORWARD VOLTAGE** 6.4V

**DRIVE CURRENT** 700mA

**SUPPLY TYPE** Constant Current

**DRIVER LOCATION** Remote

**DIMMING** DALI | 0-10V | 1-10V | Casambi

### MOUNTING

**MOUNTING** Recessed

**CEILING THICKNESS** 5-25mm (0.20-0.98")

**CUTOUT** ø44mm x 22mm (1.73" x 0.86")

**MIN CEILING VOID** 20mm (0.79") clearance above

### FINISHES

**FINISHES** Brushed Aluminium | Black RAL9005 | White RAL9010

\*Premium & custom finishes are built & finished to order. These are subject to an extended lead time & MOQ.

### OPTICAL & STANDARDS

**NOMINAL LUMENS** 360lm

**DELIVERED LUMENS** 328lm

**COLOUR TEMPERATURE** 2700K | 3000K

**ACCESSORY HOLDER** N/A

**ACCESSORIES** N/A

**TM65** 8.83kgCO2e

**TM66** 2.2

**BEAM ANGLE** 12x35°

**CRI** 95 TYP

**TM-30** RF: 93 RG: 99

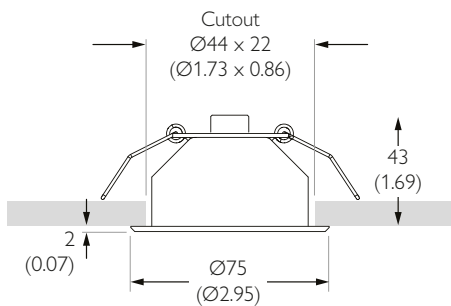
**WARRANTY** 5 Years

**LIFETIME** L90B10 100,000hrs

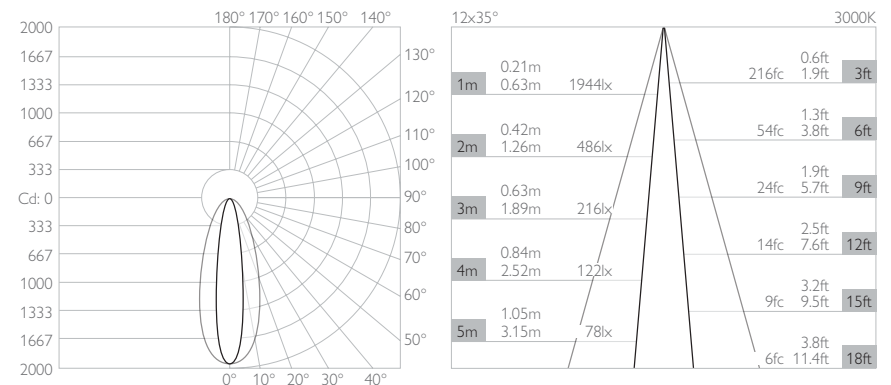
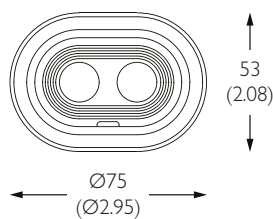
**STANDARDS**



Photometry shown is for 3000K module. Please enquire for other CCT photometry.



mm (inches)



### LUMINAIRE FINISH

White 9010	Black 9005	Brushed Aluminium	Rubbed Bronze*	Polished Brass*	Brushed Brass*
TX-652-WH-XX95E1	TX-652-BK-XX95E1	TX-652-AL-XX95E1			

\*All premium & custom finishes are built & finished to order. These are subject to an extended lead time & MOQ

For 3000K Substitute XX with 30

For 2700K Substitute XX with 27

# DOMINO 2 RECESSED

## 35X12° VERTICAL ELLIPSE BEAM



### TECHNICAL DESCRIPTION

Domino 2 Recessed is a Constant Current multi source LED spotlight that is machined from aerospace grade aluminium 6063-T6 and comes as standard in white, black and brushed aluminium. It has five site-changeable beam distributions including elliptical beams. The vertical ellipse beam in our 4.48W 360lm module has a peak intensity of 1944cd.

### MECHANICAL & ELECTRICAL

**CATEGORY** IP20

**MATERIAL** Machined AL 6063-T6

**PAN** N/A

**TILT** N/A

**LOCKABLE** N/A

**WEIGHT** 104g | 0.23lb

**WATTAGE** 4.48W

**FORWARD VOLTAGE** 6.4V

**DRIVE CURRENT** 700mA

**SUPPLY TYPE** Constant Current

**DRIVER LOCATION** Remote

**DIMMING** DALI | 0-10V | 1-10V | Casambi

### MOUNTING

**MOUNTING** Recessed

**CEILING THICKNESS** 5-25mm (0.20-0.98")

**CUTOUT** ø44mm x 22mm (1.73" x 0.86")

**MIN CEILING VOID** 20mm (0.79") clearance above

### FINISHES

**FINISHES** Brushed Aluminium | Black RAL9005 | White RAL9010

\*Premium & custom finishes are built & finished to order. These are subject to an extended lead time & MOQ.

### OPTICAL & STANDARDS

**NOMINAL LUMENS** 360lm

**DELIVERED LUMENS** 328lm

**COLOUR TEMPERATURE** 2700K | 3000K

**ACCESSORY HOLDER** N/A

**ACCESSORIES** N/A

**TM65** 8.83kgCO2e

**TM66** 2.2

**BEAM ANGLE** 35x12°

**CRI** 95 TYP

**TM-30** RF: 93 RG: 99

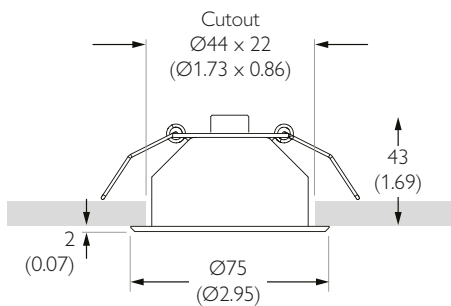
**WARRANTY** 5 Years

**LIFETIME** L90B10 100,000hrs

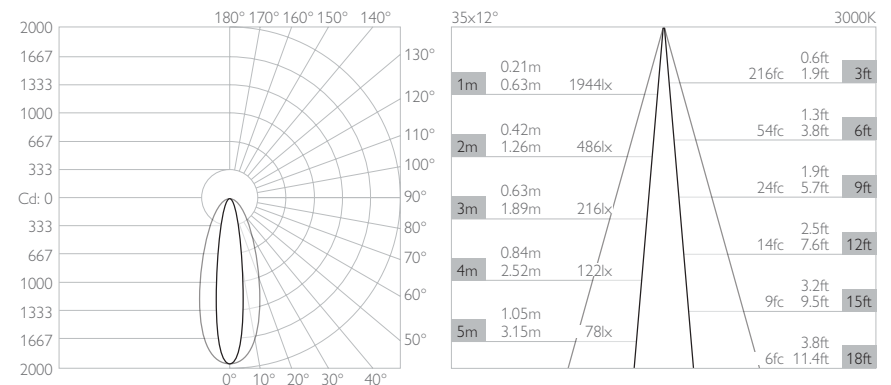
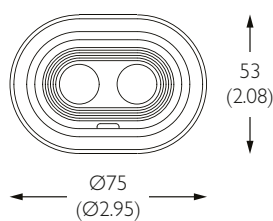
**STANDARDS**



Photometry shown is for 3000K module. Please enquire for other CCT photometry.



mm (inches)



### LUMINAIRE FINISH

White 9010	Black 9005	Brushed Aluminium	Rubbed Bronze*	Polished Brass*	Brushed Brass*
TX-652-WH-XX95E2	TX-652-BK-XX95E2	TX-652-AL-XX95E2			

\*All premium & custom finishes are built & finished to order. These are subject to an extended lead time & MOQ

For 3000K Substitute XX with 30

For 2700K Substitute XX with 27

## DOMINO 2

### DRIVER COMPATIBILITY

#### 20W | DIMMING: DALI OR 0-10V

NO. OF LIGHTS PER DRIVER 1 to 4 in series

MIN DIM LEVEL 0.1%

VOLTAGE REGION 230V

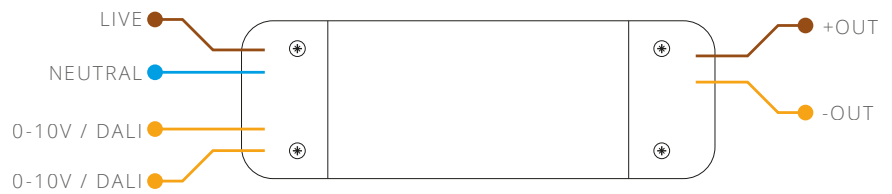
FOR NORTH AMERICA No

WATTAGE 20W

SUPPLY TYPE Constant Current

DRIVER LOCATION Remote

MANUFACTURER Eldoled



DALI CODE PSCC-20-700-D-EL

0-10V CODE PSCC-20-700-A-EL

LENGTH 160mm (6.30") WIDTH 41mm (1.63") HEIGHT 30mm (1.18")



#### 30W | DIMMING: DALI OR 0-10V

NO. OF LIGHTS PER DRIVER 1 to 6 in series

MIN DIM LEVEL 0.1%

VOLTAGE REGION 120V

FOR NORTH AMERICA Yes

WATTAGE 30W

SUPPLY TYPE Constant Current

DRIVER LOCATION Remote

MANUFACTURER Eldoled



DALI CODE USCC-30-700-D-EL-ENC

0-10V CODE USCC-30-700-A-EL-ENC

LENGTH 348mm (13.7") WIDTH 65mm (2.6") HEIGHT 47mm (1.9")



#### 12W | DIMMING: PHASE

NO. OF LIGHTS PER DRIVER 1 to 2 in series

MIN DIM LEVEL 1%

VOLTAGE REGION 120V

FOR NORTH AMERICA Yes

WATTAGE 12W

SUPPLY TYPE Constant Current

DRIVER LOCATION Remote

MANUFACTURER Hatch



PHASE CODE USCC-12-700-P-HT-ENC

LENGTH 247mm (9.7") WIDTH 65mm (2.6") HEIGHT 47mm (1.9")

