

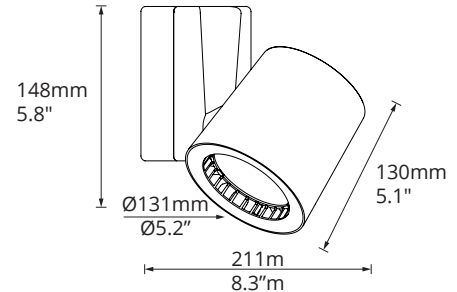


DRX2 is a lightweight and powerful motorized remote controlled spotlight. Its minimalist compact design and tiny footprint offer a solution for restricted spaces without compromising on output and quality. The DRX2 is available with three fixed CCT light engines, delivering up to 1,474 lumens from a wide selection of fixed beam options as well as zoom powered by Lensvector.

DRX2 is also available with Tunable White and RGBW - visit their specsheets to learn more.

## KEY FEATURES

- ±165° Pan, ±110° Tilt Motorised Movement
- Wired or Wireless control
- Position and light level scene recall
- Compact minimalist design
- Premium componentry
- 230V 3-Circuit Track or Monopoint
- 120V 2-Circuit Track or Monopoint



## PERFORMANCE DATA

OUTPUT OPTIONS	1800LM		3800LM			
	7°	10°-55° Zoom <sup>1</sup>	10°	17°	28°	15-50° Zoom <sup>1</sup>
BEAM OPTIONS						
DELIVERED OUTPUT	1,788 lm	1,734 lm <sup>1</sup>	3,358 lm	3,757 lm	3,316 lm	3,194 lm <sup>1</sup>
PEAK INTENSITY	73,477 cd	40,504 cd <sup>1</sup>	81,117 cd	31,317 cd	10,698 cd	35,885 cd <sup>1</sup>
LED ARRANGEMENT	Single source		Single source			
LED WATTAGE	25 W		50 W			
EFFICACY	72 lm/W		75 lm/W			
DYNAMIC WATTAGE	34.8 W <sup>2</sup>		64.7 W <sup>2</sup>			
CCT OPTIONS	2700K   3000K   4000K		2700K   3000K   4000K			

Notes

<sup>1</sup> Value at narrowest zoom setting

<sup>2</sup> Dynamic Wattage is the total power draw momentarily possible when both motors are running simultaneously.

## MECHANICAL & MOUNTING

LOCATION	IP20	LIFETIME	L90 50,000 hrs min
ADJUSTABILITY	±165° Pan, ±110° Tilt	WARRANTY	5 Years
WEIGHT	Track 1.90kg / 4.19lb   Monopoint 2.10kg / 4.63lb	TM65	96.98kgCO <sub>2</sub> e
MATERIAL	Machined AL 6063-T6	TM66	2.4
DRIVER	Integral	ACCESSORIES	Separate holder - Louver   Lenses
MOUNTING	Track   Monopoint		

## ORDER CODE

MODEL	MOUNTING	CCT	OUTPUT	BEAM ANGLE	VOLTAGE	CONTROL	FINISH
DRX2 DRX2	TM Track	27K 2700K	18 1800LM	UN Ultra Narrow 7°	230 230V 50/60Hz	HAND Controller Only <sup>1</sup>	WH White
	MP Monopoint	30K 3000K		ZO Zoom 10-55°		120 120V 50/60Hz	010V 0-10V <sup>2</sup>
		40K 4000K	38 3800LM	NA Narrow 10°		DALI DALI <sup>3</sup>	
				ME Medium 17°		DMX DMX	
				WD Wide 28°		RCLC RCL Control	
				ZO Zoom 15-50°			

Notes

<sup>1</sup> Handheld controller only, no additional control option enabled

<sup>2</sup> 0-10V controls light level only, handheld remote used for movement and scene control

<sup>3</sup> DALI controls light level, groups and scenes, handheld remote used for movement

# DRX2

FOR TRACK & MONOPOINT

## DRX2 ON ONETRACK



White



Black

## DRX2 MONOPOINT

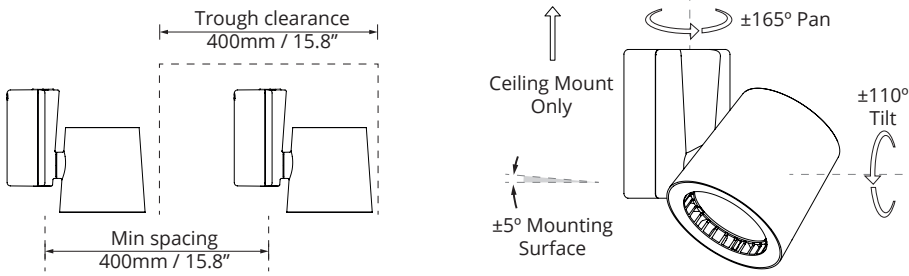


White

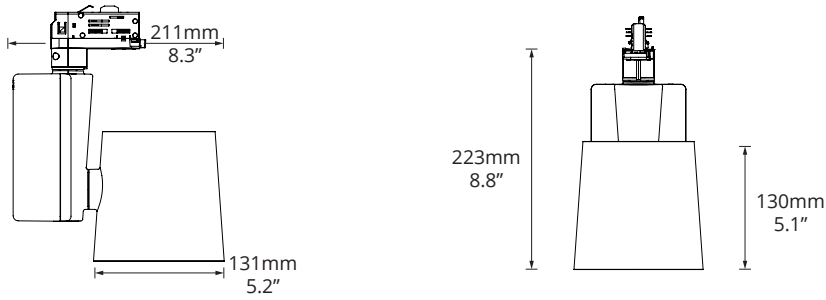


Black

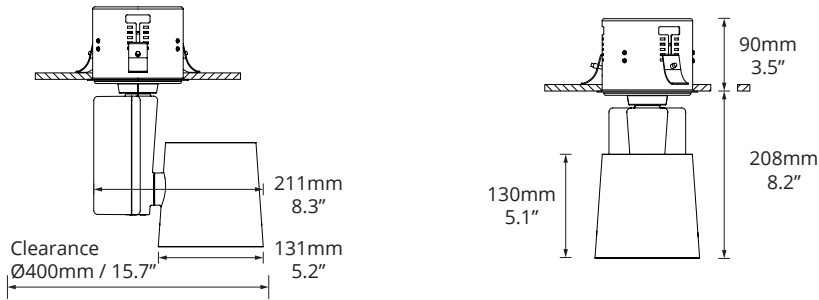
**INSTALLATION CLEARANCE AND ARTICULATION**



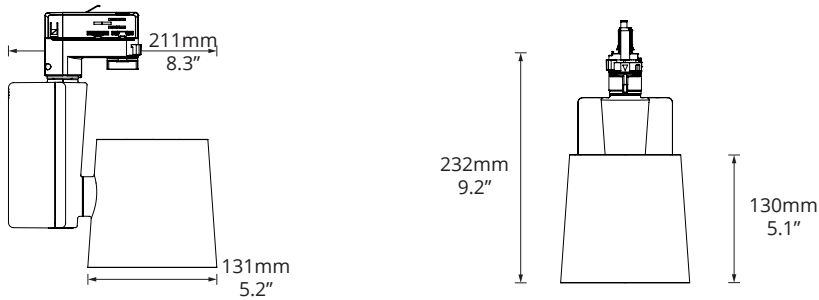
**230V 3-CIRCUIT TRACK**



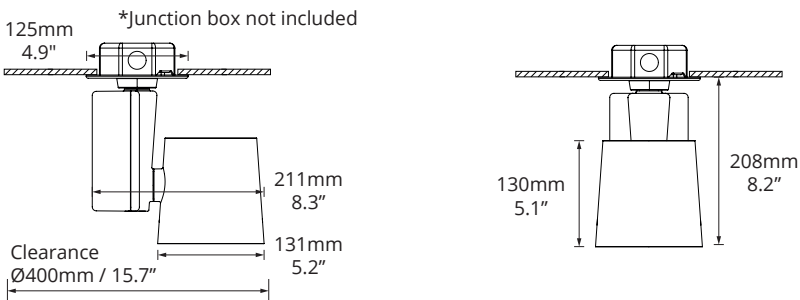
**230V MONOPOINT**



**120V 2-CIRCUIT TRACK - NORTH AMERICA**



**120V MONOPOINT - NORTH AMERICA**



**DIMMING & CONTROL TABLE**

	Core Control Option In all products	Additional Control Option 1 can be used in addition to the handheld remote Remote required for commissioning			
	Handheld Remote	RCL Control	DALI	DMX	0-10V
BRIGHTNESS	✓	✓	✓	✓	✓
MOVEMENT	✓	✓	1	✓	
COLOUR TEMPERATURE	✓	✓	✓	✓	
RGBW	✓	✓	1	✓2	
ZOOM	✓	✓	1	✓	
SCENES	✓	✓	1	✓	

1. Zoom, RGBW and position programmed by handheld remote, recalled by DALI scenes command. 10 scenes available, not available with all DALI systems.  
 2. Hue and Saturation control.

**DIMMING & CONTROL DETAILS**

**Handheld Remote**

The RCL handheld remote controller affords control of all aspects of the luminaire. Our products are available both as solely controlled by the remote or with another protocol. Regardless of if another protocol is specified on the product, it will always have the ability to be controlled by our handheld remote controller. The luminaire will always power up with its last configuration.

**RCL Control**

The RCL Control iPad app offers an intuitive, user-friendly interface capable of managing multiple rooms and floors. RCL control requires a mediator device that acts as the wired to wireless interface on the project, this device acts as the hub, receiving then distributing wireless commands to up to 200 luminaires. The mediator can receive DALI or DMX wired inputs to allow control of groups of luminaires and recalling scenes requested from external building management systems. RCL Control utilises a dynamic wireless mesh network for robust, scalable and low-latency performance, ensuring reliable and secure operation without internet dependence. Luminaires can be organised into zones, groups and scenes, all controlled through our award-winning reflected ceiling plan interface.

**DALI**

DALI offers brightness, CCT, group and scene control of our luminaires, the handheld remote is needed for movement. The first 10 scenes can be programmed by handheld controller and recalled by DALI, in this case all configured features can be set and recalled (i.e. zoom, position, etc). Not all DALI controllers use the DALI scene command, so testing is recommended.

**DMX**

All configured features of our luminaires are available for control by DMX, by default the fixture will have a footprint of 4, allowing for pan, tilt and dim control. The handheld remote allows the user to select one of six possible profiles allowing for dim only, dim and movement or movement and control of all fitted light engine features with different resolutions available. Please note that RGBW is controlled with a hue and saturation channel. When installing DMX to track mounted fixtures it is important to ensure that appropriate electrical isolation is provided between the DMX circuits on the track and any DMX connections. The DMX and electrical grounds will need to be connected, typically by a mains-powered splitter on the same circuit.

**0-10V**

0-10V has a single control group as all luminaires connected to the databus will dim in unison. 0-10V will only control the brightness, the handheld remote is needed for movement, CCT and zoom if available.

**Phase**

Phase dimming is not available on RCL products.

Control method not listed here? We have a wealth of experience integrating with 3rd party control systems so get in touch.

**1800LM LIGHT ENGINE - OUTPUT SCALING**

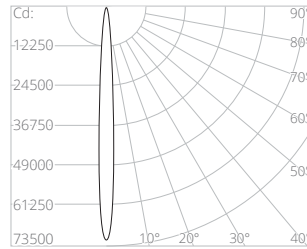
CCT	Multiplier	CRI	R9	Rf	Rg	Max Delivered lm
2400K	-	-	-	-	-	N/A
2700K	1.00	92	50	90	99	1788lm
<b>3000K</b>	<b>1.00</b>	<b>92</b>	<b>50</b>	<b>90</b>	<b>99</b>	<b>1788lm</b>
3500K	-	-	-	-	-	N/A
4000K	1.15	92	50	90	98	2056lm

All diagrams and data measured at 3000K

**1800LM LIGHT ENGINE - PHOTOMETRY**

**7° BEAM**

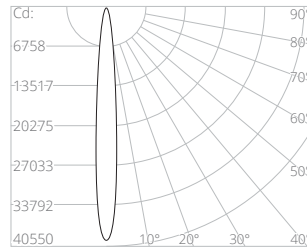
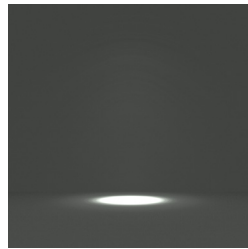
BEAM ANGLE 7°  
 DELIVERED LM 1788lm  
 PEAK INTENSITY 73477cd



Height	Beam Diameter	Peak Intensity (lx)	Footcandle (fc)	Height (ft)
1m	0.12m	73477lx	8164fc	3ft
2m	0.24m	18369lx	2041fc	6ft
3m	0.37m	8164lx	907fc	9ft
4m	0.49m	4592lx	510fc	12ft
5m	0.61m	2939lx	327fc	15ft
			227fc	18ft

**ZOOM 10° NARROWEST BEAM**

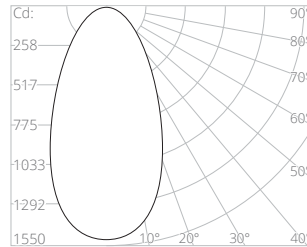
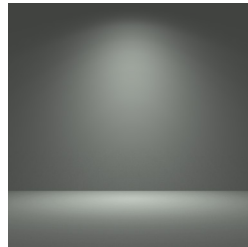
BEAM ANGLE 10°  
 DELIVERED LM 1734lm  
 PEAK INTENSITY 40504cd



Height	Beam Diameter	Peak Intensity (lx)	Footcandle (fc)	Height (ft)
1m	0.17m	40504lx	4500fc	3ft
2m	0.35m	10126lx	1125fc	6ft
3m	0.52m	4500lx	500fc	9ft
4m	0.70m	2532lx	281fc	12ft
5m	0.87m	1620lx	180fc	15ft
			125fc	18ft

**ZOOM 55° WIDEST BEAM**

BEAM ANGLE 55°  
 DELIVERED LM 1444lm  
 PEAK INTENSITY 1512cd



Height	Beam Diameter	Peak Intensity (lx)	Footcandle (fc)	Height (ft)
1m	1.04m	1512lx	168fc	3ft
2m	2.08m	378lx	42fc	6ft
3m	3.12m	168lx	19fc	9ft
4m	4.16m	95lx	11fc	12ft
5m	5.21m	60lx	7fc	15ft
			5fc	18ft

**3800LM LIGHT ENGINE - OUTPUT SCALING**

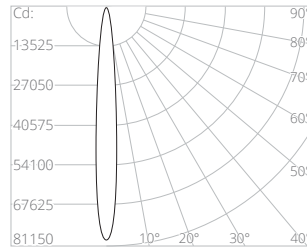
CCT	Multiplier	CRI	R9	Rf	Rg	Max Delivered lm
2400K	-	-	-	-	-	N/A
2700K	0.93	92	50	90	99	3494lm
<b>3000K</b>	<b>1.00</b>	<b>92</b>	<b>50</b>	<b>90</b>	<b>99</b>	<b>3757lm</b>
3500K	-	-	-	-	-	N/A
4000K	1.07	92	50	90	98	4020lm

All diagrams and data measured at 3000K

**3800LM LIGHT ENGINE - PHOTOMETRY**

**10° BEAM**

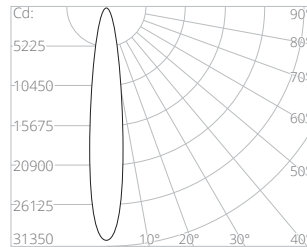
BEAM ANGLE 10°  
 DELIVERED LM 3358lm  
 PEAK INTENSITY 81117cd



Height	Beam Diameter	Peak Intensity (lx)	Footcandle (fc)	Height (ft)	Beam Diameter (ft)
1m	0.17m	81117lx	9013fc	0.5ft	3ft
2m	0.35m	20279lx	2253fc	1.0ft	6ft
3m	0.52m	9013lx	1001fc	1.6ft	9ft
4m	0.70m	5070lx	563fc	2.1ft	12ft
5m	0.87m	3245lx	361fc	2.6ft	15ft
			250fc	3.1ft	18ft

**17° BEAM**

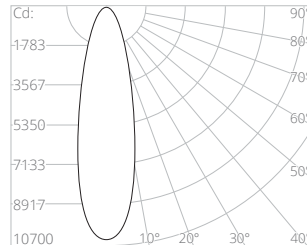
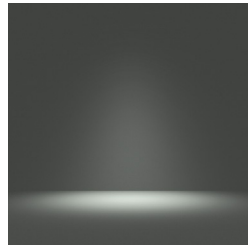
BEAM ANGLE 17°  
 DELIVERED LM 3757lm  
 PEAK INTENSITY 31317cd



Height	Beam Diameter	Peak Intensity (lx)	Footcandle (fc)	Height (ft)	Beam Diameter (ft)
1m	0.30m	31317lx	3480fc	0.9ft	3ft
2m	0.60m	7829lx	870fc	1.8ft	6ft
3m	0.90m	3480lx	387fc	2.7ft	9ft
4m	1.20m	1957lx	217fc	3.6ft	12ft
5m	1.49m	1253lx	139fc	4.5ft	15ft
			97fc	5.4ft	18ft

**28° BEAM**

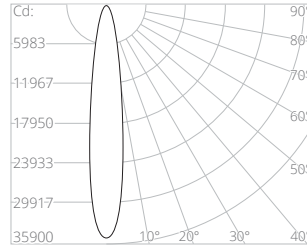
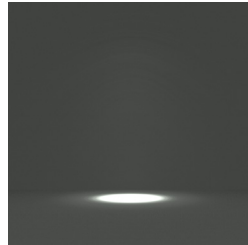
BEAM ANGLE 28°  
 DELIVERED LM 3316lm  
 PEAK INTENSITY 10698cd



Height	Beam Diameter	Peak Intensity (lx)	Footcandle (fc)	Height (ft)	Beam Diameter (ft)
1m	0.50m	10698lx	1189fc	1.5ft	3ft
2m	1.00m	2675lx	297fc	3.0ft	6ft
3m	1.50m	1189lx	132fc	4.5ft	9ft
4m	1.99m	669lx	74fc	6.0ft	12ft
5m	2.49m	428lx	48fc	7.5ft	15ft
			33fc	9.0ft	18ft

**ZOOM 15° NARROWEST BEAM**

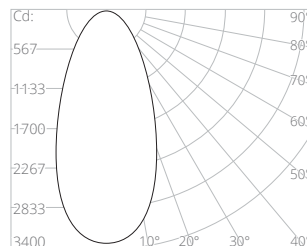
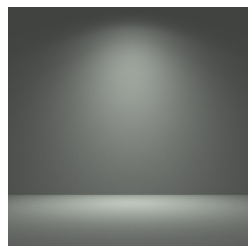
BEAM ANGLE 15°  
 DELIVERED LM 3194lm  
 PEAK INTENSITY 35885cd



Height	Beam Diameter	Peak Intensity (lx)	Footcandle (fc)	Height (ft)	Beam Diameter (ft)
1m	0.26m	35885lx	3987fc	0.8ft	3ft
2m	0.53m	8971lx	997fc	1.6ft	6ft
3m	0.79m	3987lx	443fc	2.4ft	9ft
4m	1.05m	2243lx	249fc	3.2ft	12ft
5m	1.32m	1435lx	159fc	3.9ft	15ft
			111fc	4.7ft	18ft

**ZOOM 50° WIDEST BEAM**

BEAM ANGLE 50°  
 DELIVERED LM 2798lm  
 PEAK INTENSITY 3386cd



Height	Beam Diameter	Peak Intensity (lx)	Footcandle (fc)	Height (ft)	Beam Diameter (ft)
1m	0.93m	3386lx	376fc	2.8ft	3ft
2m	1.87m	847lx	94fc	5.6ft	6ft
3m	2.80m	376lx	42fc	8.4ft	9ft
4m	3.73m	212lx	24fc	11.2ft	12ft
5m	4.66m	135lx	15fc	14.0ft	15ft
			10fc	16.8ft	18ft

**ACCESSORIES**

**Accessories for 1800lm & 3800lm all beam options**

A separate accessory holder is required that is field swappable for the honeycomb louver. The softening microlens options are factory fitted without an additional holder.

**ACCESSORIES ORDER CODE**

	1800lm	3800lm	Use
<b>ACCESSORY HOLDER</b>	18364	18364	Accommodates 1 louver plus 1 lens
<b>HONEYCOMB LOUVER</b>	18365	18365	Reduces field beam and glare
<b>NARROW MICROLENS</b>	18393	18393	Light beam softening
<b>MEDIUM MICROLENS</b>	18394	18394	Medium beam softening
<b>WIDE MICROLENS</b>	18395	18395	Heavy beam softening

**FEATURE MAP**

