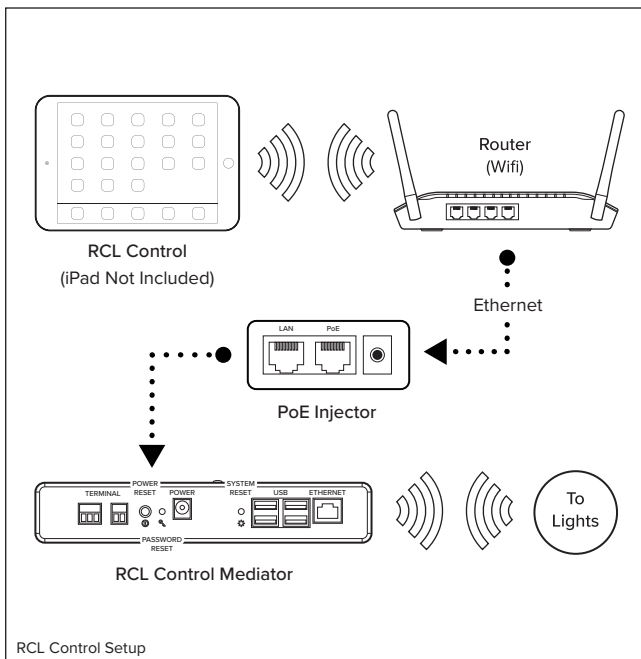


## RCL Control iOS Application



### APP

#### COMPATIBILITY

iPad 3, iPad 4, iPad Air, iPad Mini Retina, iPad Pro (iPad not supplied)

#### SYSTEM REQUIREMENTS

iOS 12 or later

#### CONNECTION

Via Wi-Fi; requires wireless router/access point

### SYSTEM

#### MAX. LIGHTS PER SYSTEM

200 Standard Spotlights

#### COMPATIBLE RCL LIGHTS

DRX1, DRX2, DRX5

#### COMPATIBLE LAMP TYPES

LED

### DESCRIPTION

RCL Control is a lighting control system which allows RCL spotlights to be individually controlled in pan, tilt and dim level using an intuitive control pad with on-screen feedback. The system can be operated using multiple iPads and can be used simultaneously with the RCL Remote. Connection is wireless via a wifi router and Mediator box.

The RCL Control system package consists of the app and the Mediator (plus PSU). Additional components may be required but depend on individual project requirements.

### FEATURES

- Control up to 200 lights, 1000 Scenes and 1000 Groups per Mediator Box.
- Combine Mediator Boxes for larger systems
- Wireless communication with lights for ease of installation.
- Users can quickly import PDFs or images taken using the iPad camera to create their own Light Plans.
- Light Plans, Scenes and Groups can be stored and backed up.
- Can be operated using multiple iPads simultaneously.
- Compatible with existing DALI systems.

#### PRODUCT SUMMARY

RCL Control iOS Application; Wireless connection via wifi router and Mediator box; 200 lights per mediator; Includes iOS app, Mediator, PoE Injector and Network Cable. Additional components required pending individual project requirements.

# RCL Control iOS Application

## SYSTEM REQUIREMENTS

- An RCL Control system should not exceed 200 lights per Mediator. More lights can be installed with an additional Mediator.
- A properly configured WiFi system with a DHCP service is required, RCL can provide advice and equipment recommendations.
- RCL light fixtures specified with RCL Control

## INSTALLATION LOCATION

- The RCL Mediator should be installed within 50 meters of any given RCL Control enabled luminaire and *should not exceed this distance*.
- The *maximum distance* between individual RCL Control enabled luminaires should not exceed 25 meters. Additional Mediators can be used to bridge larger gaps.
- It is *strongly* advised that the RCL Mediator is mounted in sight of the RCL Control enabled luminaires. *Do not* locate RCL Mediator behind masonry walls as signal strength will decrease. Only partition walls and false ceilings can be penetrated by the RCL Mediator signal.
- The RCL Mediator(s) shall be installed at least 3 meters away from other wireless access equipment.

## IMPORTANT NOTICE

- The contents of the System Requirements detail the recommended setup conditions required for installation of the RCL Control System and accompanying products.
- The system setup must follow the instructions detailed in the accompanying Documents:
  - DOC-282 RCL Control Setup Instructions
  - DOC-291 RCL Control User Manual
  - DOC-292 RCL Control Installation Instructions
- For additional help on accommodating the RCL Control system, see
  - DOC-294 RCL Control Network Requirements

### PRODUCT SUMMARY

RCL Control iOS Application; Wireless connection via wifi router and Mediator box; 200 lights per mediator; Includes iOS app, Mediator, PoE Injector and Network Cable. Additional components required pending individual project requirements.