

# CUTLASS

SUSPENDED



**Cutlass - Linear LED System.** The Cutlass is designed primarily for flush mount applications. With the many options available, it is highly modular versatile and easy to install.

## Ordering Code

Fixture	<b>555</b>	<b>916</b>						
	1	2	3	4	5	6	7	8

## Product Specifications

**SAMPLE :** Fixture **555 - 916 - 500 - LO - 27 - 02 - 5 - 6'**

1 - Type	2 - Model	3 - Lens	4 - LED Style*1	
<b>555</b> · Profile	<b>916</b> · Cutlass Suspended	<b>500</b> · Frosted <b>502</b> · Clear	Static White <b>LO1W</b> · LLHE48LO-1W 1 Watt <b>LO</b> · LLHE48LO Low Output <b>SO</b> · LLHE48SO Standard Output <b>MO</b> · LLHE48MO Medium Output <b>271</b> · 271 Style LED Strip*5	Dynamic Color*2 <b>DWSO</b> · LLDW68SO Dynamic White Standard Output <b>DWHO</b> · LLDW68HO Dynamic White High Output <b>RGBSO</b> · LLRGB42SO Color changing Standard Output <b>RGBWSO</b> · LL-RGBW36-SO Color changing Standard Output
5 - CCT		6 - Finish	7 - Suspension Length	8 - Fixture Length*1
Static White <b>22</b> · 2200K <b>25</b> · 2500K <b>27</b> · 2700K <b>30</b> · 3000K <b>35</b> · 3500K <b>40</b> · 4000K	Dynamic Color*2 <b>1935</b> · 1900K - 3500K*4 <b>98</b> · RGB Color changing <b>99</b> · RGB+W Color changing	<b>01</b> · White <b>02</b> · Black*3 <b>08</b> · Silver*3 <b>XX</b> · Custom	<b>5</b> · 5' <b>8</b> · 8' <i>Contact SENSO for custom length</i>	<b>XX</b> · Custom (XX.XX) <i>Continuous runs will be made in equal sections no more than 8' long</i>  <b>NOTE:</b> For Channels and Lenses over 90°, incremental shipping charges will apply

\*1 Refer to page 2 for LED cut length intervals and available CCT  
 \*2 DMX driver required  
 \*3 Anodized finish  
 \*4 Please ask about different CCT ranges  
 \*5 Only available in 3500K

Project : \_\_\_\_\_  
 Quantity : \_\_\_\_\_  
 Type : \_\_\_\_\_  
 Notes : \_\_\_\_\_

## LED Technical Information

	STYLE	WATT/FT	DELIVERED LM/FT CLEAR	DELIVERED LM/FT FROSTED	CRI	MAX. LENGTH	Color TEMPERATURE
<b>Static White</b>	<b>LLHE48LO-1W</b>	1.0	74	55	92	60'	2200K, 2500K, 2700K, 3000K, 3500K, 4000K
	<b>LLHE48LO</b>	1.9	148	110	92	48'	
	<b>LLHE48SO</b>	2.8	212	157	92	42'	
	<b>LLHE48MO</b>	3.5	283	209	92	33'	
	<b>271</b>	7.3	515	381	90	9.8'	3500K
<b>Dynamic Color</b>	<b>LLDW68SO-1935</b>	4.1	246	134	95	32'	1900K - 3500K
	<b>LLDW68HO-1935</b>	5.2	311	169	96	32'	
	<b>LLRGB42SO</b>	4.4	123	91	---	28'	Red/Green/Blue
	<b>LLRGBW36SO</b>	4.1	127	94	97	26'	Red/Green/Blue White LED 97 CRI / 3000K

\* Lumen output calculations based on 3500K.  
For LED strip information, See the page for:

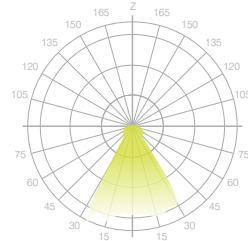
LLHE48 [HERE](#).  
LLDW68 [HERE](#).  
LLRGB42 [HERE](#).  
LLRGBW36 [HERE](#).

## Lens/Light Distribution

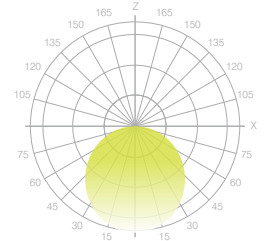
part number **500** (frosted 65% transparent)  
**502** (clear 95% transparent)

- PMMA construction
- Easily clipped in profile
- Comes precut to match profile length
- Flush

**Clear Lens**



**Frosted Lens**



# CUTLASS

SUSPENDED

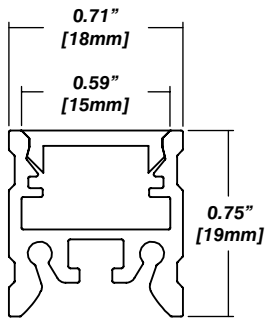
## Construction

- Housing: Aluminum extrusion
- Made in Canada

## Installation

- Factory assembled for easy and fast installation
- Electrical wire included

## Dimensions



## Joining Sections



## Remote Driver Canopy

part number **921**

- Aluminum feed canopy
- Aircraft cable holder
- For remote driver mounting only
- W - Ø5" [125mm]
- H - 0.65" [16.7mm]



## Lead Cable Strain Relief

- Used as a feeding point for lead cable
- Secured in place with set screw.



## Aircraft Cable Mounting Base

- Used to suspend profiles
- secured in place with set screw.



## Universal Power Supply 1% 120VAC - 277VAC

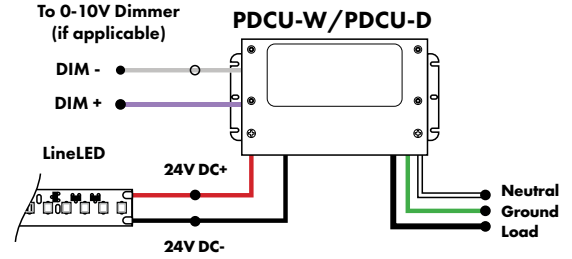
Universal Power Supply 1% 120VAC - 277VAC

MODEL	POWER	OUTPUT
PDCU-D - IP20 Dry Series	30 - 30 W 60 - 60 W 96 - 96 W	24 - 24 VDC

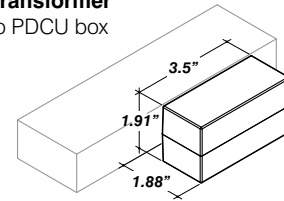
PDCU-W - IP66 Wet Series 96 - 96 W

0-10V dims down to 1%, MLV/ELV/TRIAC dims down to 1%.  
Contact Senso to specify 347V transformer.  
For a complete details on the Universal Power Supply, see Spec Sheet, Compatible Dimming and Install Guide on the [Resources page](#).

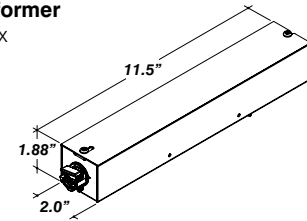
MODELS	PDCU-W 96W	PDCU-D 30W	PDCU-D 60W	PDCU-D 96W
Length	8.66"	6.10"	7.93"	8.25"
Width	3.73"	3.35"	3.35"	4.10"
Depth	1.61"	1.33"	1.32"	1.56"



**30W/60W 347V Transformer**  
attaches directly to PDCU box



**96W 347V Transformer**  
wired to PDCU box



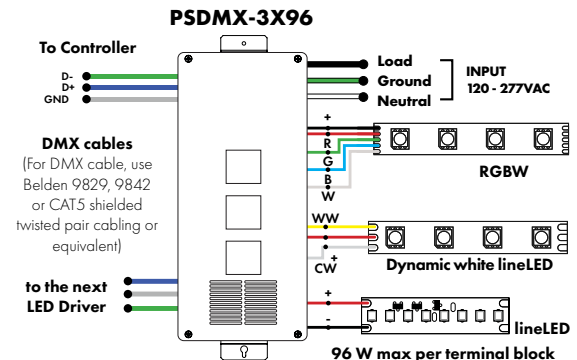
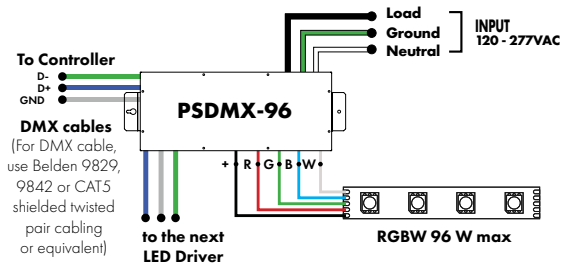
## DMX Dimming Power Supply 120VAC - 277VAC

DMX Dimming Power Supplies 120VAC - 277VAC

MODEL	POWER	OUTPUT
PSDMX - DMX Power Supply dims down to 0%	96 - 96 Watt 3X96 - 3 X 96 Watt	24 - 24 VDC

Features eldoLED's LINEARdrive configurable dimmable drivers. For a complete details on the DMX Dimming Power Supply, see Spec Sheet on the [Resources page](#).

MODELS	96W	3X96
Length	14.40"	15.75"
Width	5.20"	6.62"
Depth	2.60"	4.95"



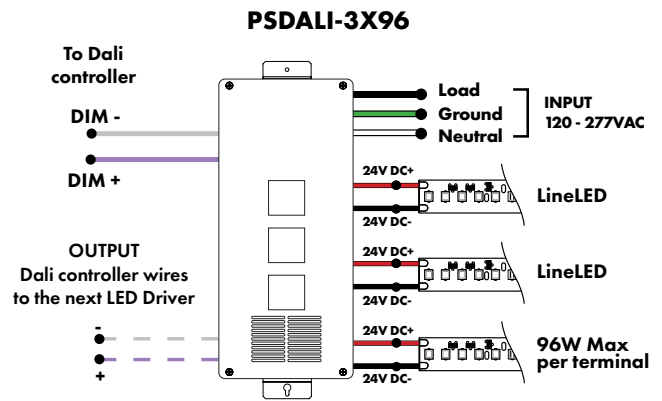
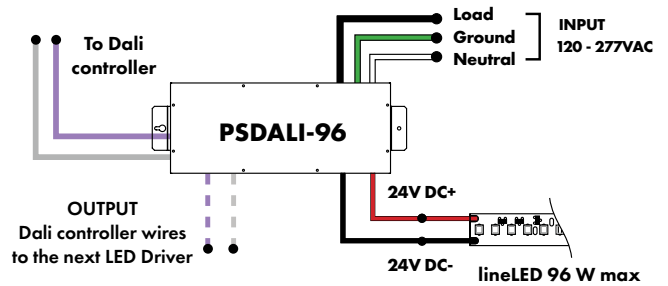
## DALI 0% Dimming Power Supplies 120VAC - 277VAC

DALI 0% Dimming Power Supplies 120VAC - 277VAC

MODEL	POWER	OUTPUT
PSDALI - DALI Power Supply dims down to 0%	96 - 96 Watt 3X96 - 3 X 96 Watt	24 - 24 VDC

Features eldoLED's LINEARdrive configurable dimmable drivers

Model	96W	3X96
Length	14.40"	15.75"
Width	5.20"	6.62"
Depth	2.60"	4.95"



## LUTRON®

Luminii is a Lutron OEM Advantage Partner  
Lutron Power Supplies 1%

MODEL

LTEA4U1UKL-CV240

Lutron - Hi-lume™ 1% 2-wire LED Driver  
40W max

(120V forward phase only)

MODEL

L3DA4U1UKL-CV240

Hi-lume™ 1% EcoSystem Voltage LED driver  
40W max

MODELS	LTEA4U1UKL-CV240	L3DA4U1UKL-CV240
Length	4.89"	4.98"
Width	4.00"	4.00"
Depth	2.62"	2.62"

For a complete details on the Lutron Power Supply, see Spec Sheet and Install Guide on the [Resources page](#).

## LUTRON®

Luminii is a Lutron OEM Advantage Partner  
Lutron Power Supplies 0.1%

MODEL

L3D0-96W24V-U

Hi-lume™ 0.1% EcoSystem Voltage LED Driver with Soft-On, Fade-to-Black™  
96W max

MODELS	L3D0
Length	10.50"
Width	5.50"
Depth	2.00"

