

instruction manual Atto

Atto is a small display 95 CRI LED luminaire offering 360° bearing aided rotation and 180° tilt that offers two mounting options, surface screw or M10 fastening.

Atto	1.2W	102lm
Atto T	1.2W	102lm
Atto S	1.2W	102lm

These instructions cover procedures for all versions of Atto including:

- Atto
- Atto T
- Atto S

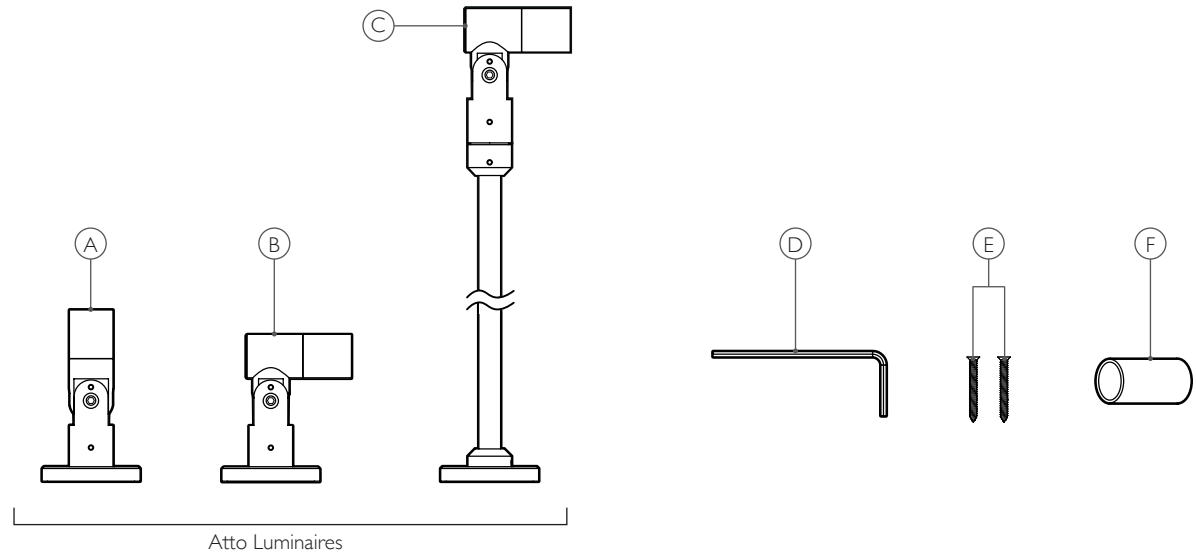
Constant Current 350mA driver ONLY



42 RIVERSIDE ROAD | LONDON | SW17 0BA | UK
 t. +44 (0) 20 8947 6616 | sales@precisionlighting.co.uk
 f. +44 (0) 20 8286 6626 | www.precisionlighting.co.uk
 © 2019 Precision Lighting Ltd. We reserve the right to change details of design, materials and finish. Version 1.0

KEY PRODUCT FEATURES

- | | | | |
|---|--------|---|------------|
| A | Atto | D | Hex Key |
| B | Atto T | E | Screws |
| C | Atto S | F | Long Snoot |



IMPORTANT SAFETY INFORMATION

READ ALL INSTRUCTIONS BEFORE USING THESE PRODUCTS. SAVE THESE INSTRUCTIONS FOR LATER REFERENCE.

- Mains supply to driver must be OFF before connecting or disconnecting the fittings.
- All systems must be installed by a suitably qualified professional only. Installations must conform to national installation, accident prevention regulations.
- Do not install any fixture closer than 150mm (6 inches) from any combustible material. Do not install these systems in a damp or wet location.
- To reduce the risk of fire and burns, do not install these systems where exposed bare conductors can be shorted or contact any conductive materials. Do not conceal or extend exposed conductors through a building wall.
- Install only as described in this Precision Lighting manual. Appropriate fixings will need to be used depending on surface material at the installer's discretion.
- Ensure all connections are tight. Bad connections can cause overheating, arcing and potential fire risk.
- Wire supply connections must be made with U.L. or compatible testing agency-approved connectors.
- Luminaires may be hot, allow to cool before touching.
- Regular cleaning of these products is important. Switch off at mains supply and allow to cool before touching. Clean fittings with a microfibre cloth. Then reconnect the power supply.
- Always use appropriate optics and ensure they are fitted securely. Use only Precision Lighting recommended accessories.
- These are constant current fixtures. For use only with an appropriate 350mA LED driver as recommended by Precision Lighting

1. Installing the luminaire

WARNING switch off power to mains before installation.

IA. 2 SCREW FIXING INSTALLATION

Cut hole $\varnothing 10\text{mm}$ (Slightly more than 3/8 inch). Cut 2 pilot holes for screws 17mm apart as per adjacent drawing.

Feed mains cable through hole and insert rear of fixture into hole. Secure in place using two screws provided.

Replace decorative cover onto fixture.

IB. M10 FIXING INSTALLATION

Cut hole $\varnothing 10\text{mm}$ (Slightly more than 3/8 inch).

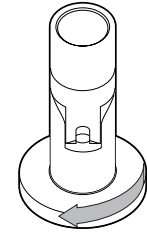
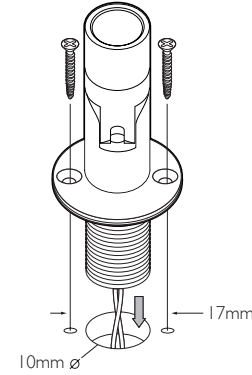
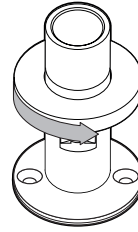
Feed mains cable through hole and insert rear of fixture into hole.

Note: You will need **rear access** to minipoint in order to secure it into place.

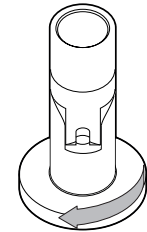
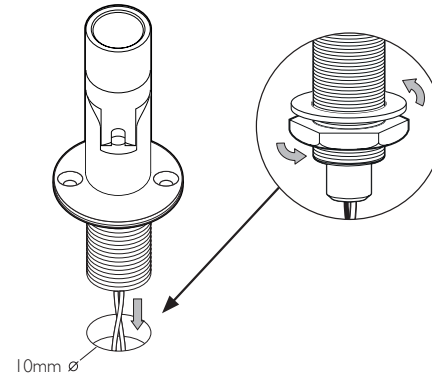
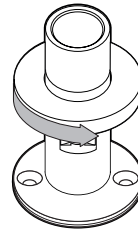
Put on washer and then screw on M10 nut provided to fasten tightly to secure fixture in place.

Replace decorative cover onto fixture.

IA. 2 Screw Fixing Installation



IB. M10 Fixing Installation



2. Electrical Installation

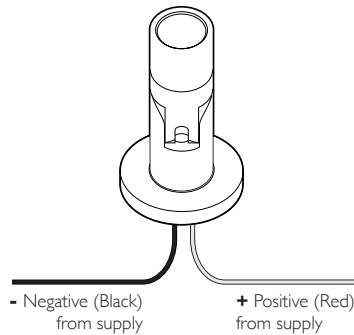
WARNING switch off power to mains before installation.

Note: Due to fixture size, drivers must be located remotely; cut out is too small for dimmable drivers to pass through.

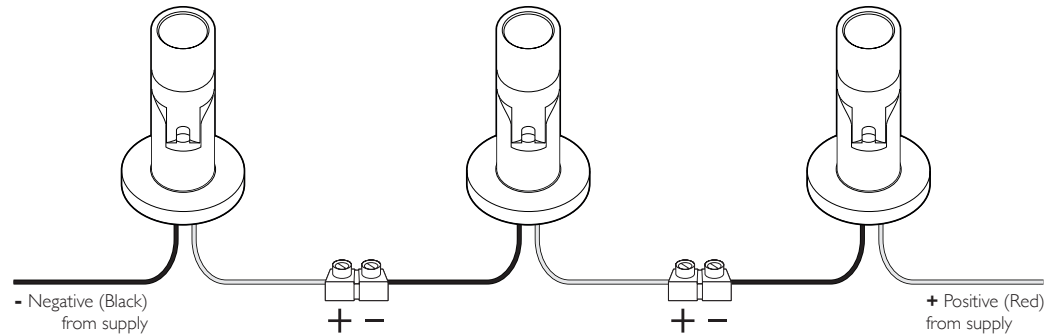
Atto luminaires are polarity sensitive, Red is positive and Black is negative.

When installing more than one Atto luminaires in a circuit, ensure circuit is **wired in series**. Do not use more than the stated number of luminaires per driver.

2. SINGLE ATTO



MULTIPLE ATTO LUMINAIRES - MUST BE WIRED IN SERIES



WARNING Do not connect or disconnect under load.

Ensure driver has not been powered for a minimum of 1 minute before reconnecting the LED module after disconnecting. **Do not hot plug.** Failure to this instruction will lead to serious damage of the LED module and driver and will not be covered by warranty.

Note: Maintain correct polarity when wiring. Incorrect wiring will cause serious damage and will not be covered by warranty. Must be installed according to SELV regulations.

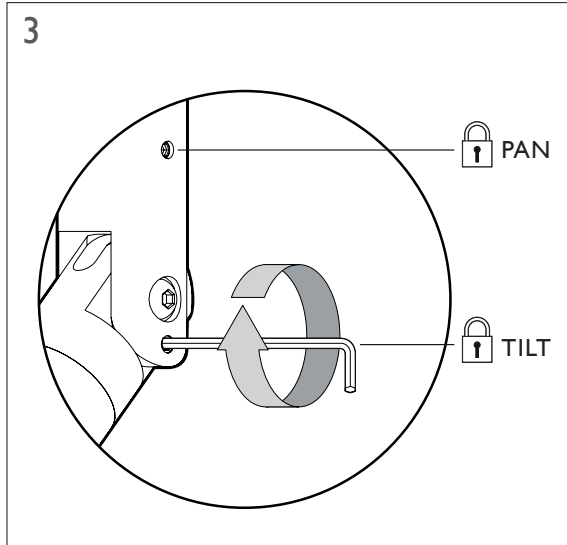
Wire specification: 24 AWG, double insulated teflon wire.

Red = Positive **Black** = Negative

3. Locking Pan & Tilt

NOTE Only adjust luminaire position when unlocked.

Adjust luminaire to desired position. To lock into place, insert 0.9mm hex key provided into pan and tilt holes then rotate hex key clockwise.



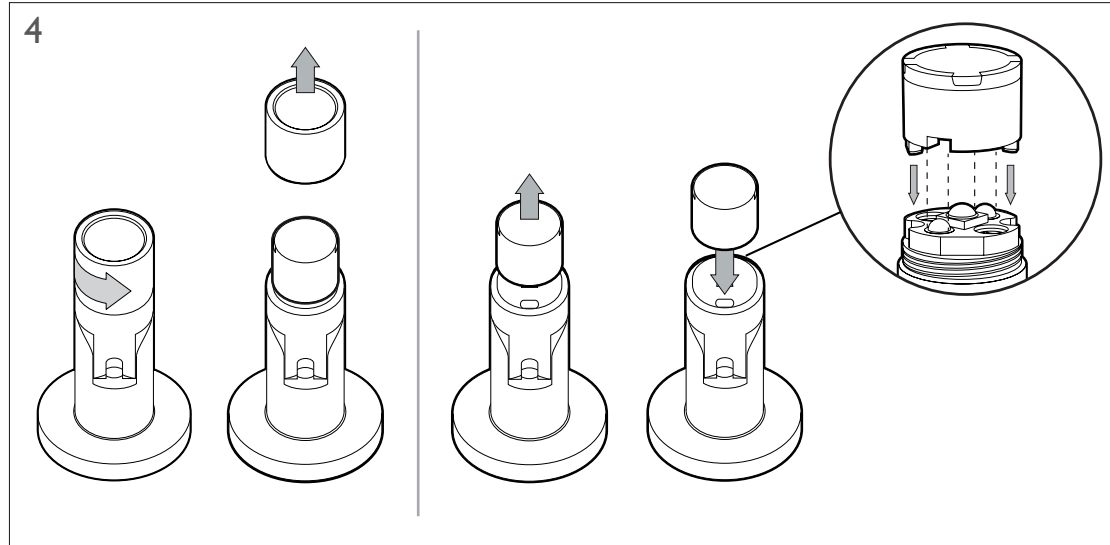
4. Snoot Removal and Changing the Optic

WARNING switch off power to mains before installation.

To remove snoot, rotate snoot anti-clockwise and lift off.

Once snoot has been removed, the optic can be changed. Remove optic from PCB.

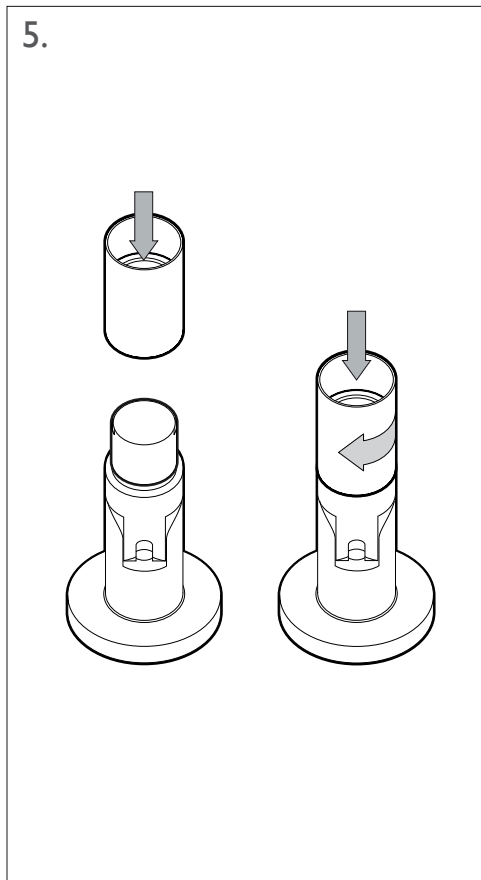
To install new optic, align optic base pins with slots on PCB and set into place. Then place snoot over optic and rotate clockwise to securely fix to luminaire. There should be no gap between the snoot and the luminaire body.



5. Changing the Snoot

To remove snoot, rotate snoot anti-clockwise and lift off.

Place new snoot over optic and rotate clockwise to securely fix to luminaire body. There should be no gap between the snoot and the luminaire body.



6. Adjusting height (Atto S ONLY)

Unscrew the decorative cover **1.5 turns anti-clockwise**.

Gently push or pull the luminaire into or out of the mounting base.

Screw the decorative canopy clockwise and fasten tightly to fix the luminaire back into place.

