

ARTEMIS 3 WET

DOWNLIGHT - WALL WASH

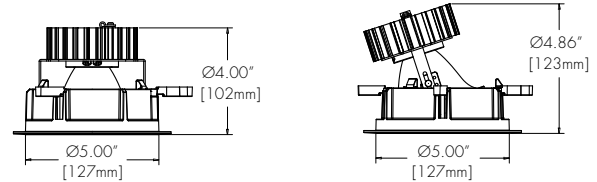
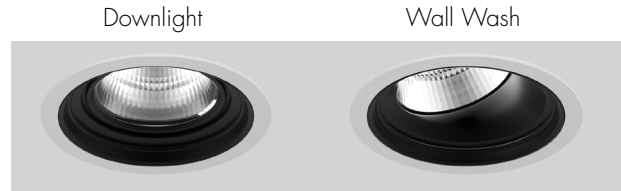


Features

- Four output options available up to 3000 lumens.
- Ceiling thickness must be between 1/4" and 1" (6mm & 25mm).
- Faceted and Smooth metal reflectors provide beam spreads between 10° to 80°
- Five year warranty.

Finish Options

- White
- Black
- Silver



Technical Information

OUTPUT OPTIONS	1000 lm	1500 lm	2000 lm	3000 lm
Fixture wattage	11.5 W	16.6 W	21.8 W	32.7 W
Delivered Lumen	1086 lm	1543 lm	1975 lm	2810 lm
Efficacy	94 lm/W	93 lm/W	91 lm/W	86 lm/W
Center Beam Candlepower (10° Faceted Reflector)	8846 cd	12569 cd	16087 cd	22889 cd

CCT	Multiplier	CRI	TM-30		
			R _f	R _g	R ₉
2500K	0.81	92	90	104	77
2700K	0.92	92	91	102	61
3000K	0.97	95	92	102	61
3500K	1.00	95	93	101	72
4000K	1.07	95	92	103	68
6500K	1.05	96	91	100	89

Ordering Code

Example: Fixture ART3W-D-TR-10-25K-F10-CL-WH-WH
HRM-ART3W-D-TR-10-25K-PHSD-NA

Fixture

MODEL	TYPE	TRIM	OUTPUT	CCT	OPTIC	ACCESSORY	TRIM FINISH	BAFFLE FINISH
ART3W-Artemis 3" Wet	D-Fixed Downlight W-Wall Wash ¹	TR-Trimmed	10-1000 lumens (9.5W) 15-1500 lumens (14.0W) 20-2000 lumens (19.8W) 30-3000 lumens (31.8W)	25K-2500K 27K-2700K 30K-3000K 35K-3500K 40K-4000K 65K-6500K	F10-10 Degree, Faceted F18-18 Degree, Faceted F30-30 Degree, Faceted F45-45 Degree, Faceted F60-60 Degree, Faceted S30-30 Degree, Smooth S45-45 Degree, Smooth S80-80 Degree, Smooth	CL-Clear Lens DL-Diffusing Lens	WH-White BK-Black SL-Silver	WH-White BK-Black SL-Silver

HOUSING	MODEL	TRIM	OUTPUT	CCT	DRIVER	DRIVER OPTIONS
HRM-Remote Power Supply (Non-IC) HP-New Construction Pan (Non-IC) HIC-Housing, IC Rated ² HCP-Housing, IC Rated, Chicago Plenum Rated ²	ART3W-D-Artemis 3" Wet Fixed Downlight ART3W-W-Artemis 3" Wet Wall Wash	Same as Fixture	Same as Fixture	Same as Fixture	PHSD-Forward/Reverse Phase, 1% Dimming, 120V Only 010S-0-10V, 1% Dimming, 120/277V 0103-0-10V, 1% Dimming, 347V Only 010L-EldoLED, 0-10V, Linear, 0.1% Dimming, 120/277V 010G-EldoLED, 0-10V, Log, 0.1% Dimming, 120/277V DALI-EldoLED, DALI Protocol 2, DT-6, 0.1% Dimming, 120/277V DALI8-EldoLED, DALI Protocol 2, DT-8, 0.1% Dimming, 120/277V ⁴ LUTE-Lutron Hilume Ecodigital, 1% Dimming, 120V/277V ^{3,4} DMX-EldoLED, DMX, 0.1% Dimming, 120V/277V ⁴	NA-None EMG-Emergency Driver ^{4,5} AWNR-Athena ⁶

- 1 - Wall Wash is only available with Optic F18 - 18 Degree, Faceted and DL - Diffusing Lens.
- 2 - Housings HIC and HCP are not available when output exceeds 2000 lumens.
- 3 - LUTE driver is not available at 700 lumens.

- 4 - Drivers DALI8/LUTE/DMX/EMG are only available with HRM - Remote Power Supply.
- 5 - Emergency option comes prewired from factory with driver in remote housing. 8V of continuous power provided for a minimum of 90 minutes. Must be installed within 30 feet of luminaire using 18 AWG wire. Only available with 010S/010L/010G/PHSD/DALI Drivers.
- 6 - AWNR only available with HP/HIC/HCP Housings and 010S Driver.

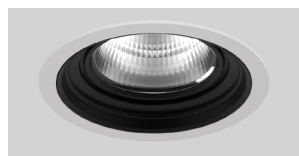
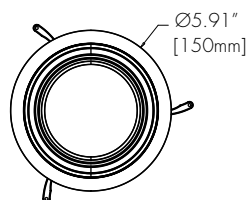
CONTACT FACTORY FOR MORE OPTIONS

ARTEMIS 3 WET

DOWNLIGHT - WALL WASH

Dimensions

Trimmed



Downlight & Adjustable Lens

CL
Clear Lens



DL
Diffusing Lens



Wall Wash Lens

DL
Diffusing Lens



Optics

Faceted Reflector
(10°, 18°, 30°, 45°, 60°)

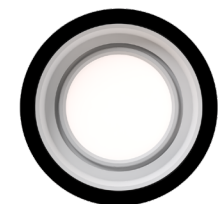


Smooth Reflector
(30°, 45°, 80°)



Trim Finishes

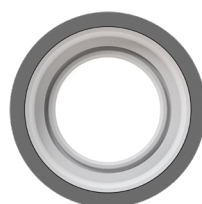
01
Black



02
White



08
Silver



Baffle Finishes

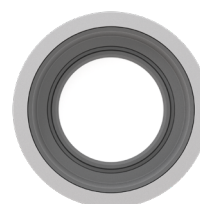
01
Black



02
White



08
Silver



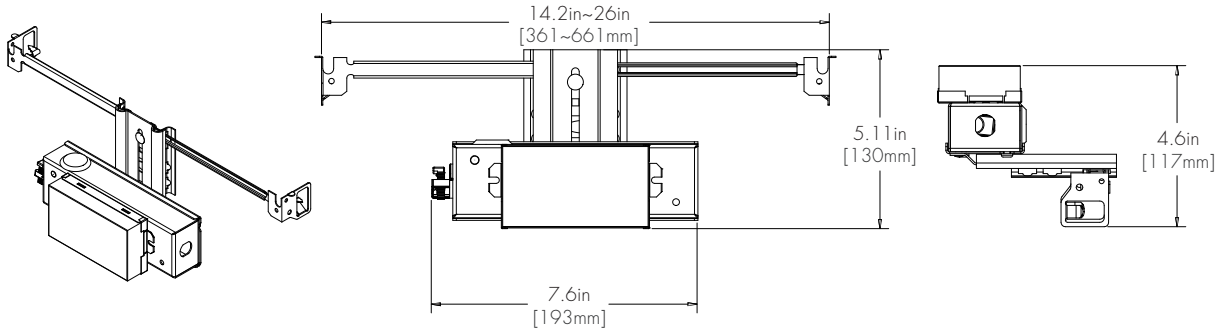
Any combination may be used for Trim and Baffle finishes.

Remote Driver Housing

Maximum mounting distance to luminaire using 18 AWG wire

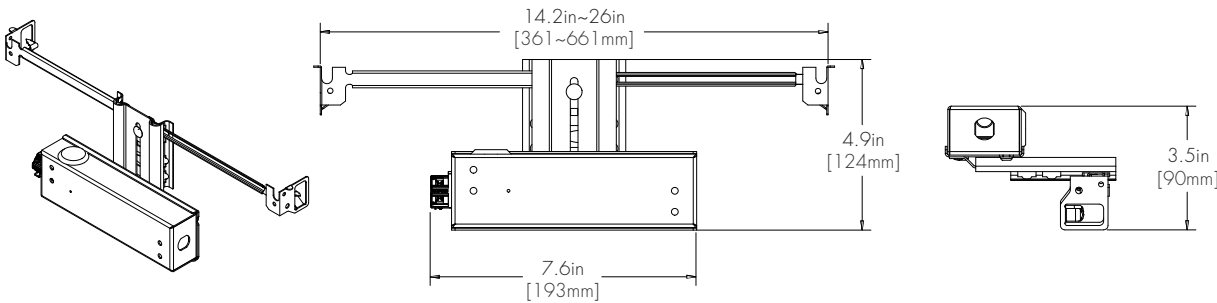
010S	PHSD	010L	010G	DALI DALI8	DMX	LUTE
16'	16'	72'	72'	72'	149'	15'

HRM Single with Externally Mounted Driver



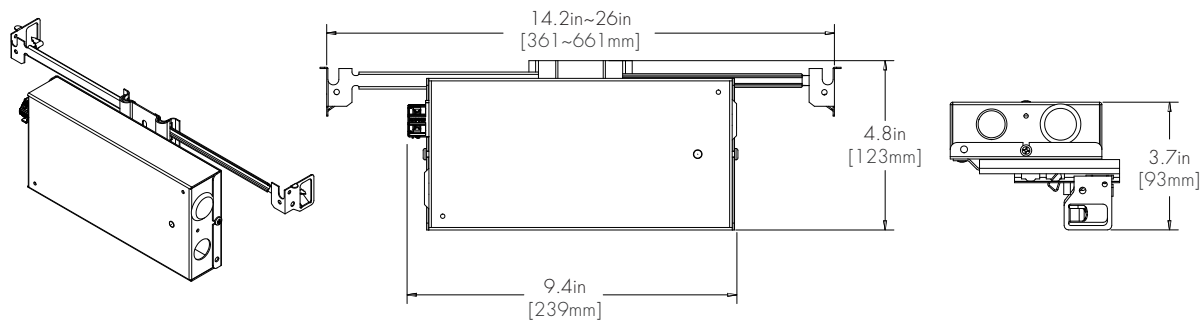
Driver	+	Driver Option
010L	+	NA
010G	+	NA
010S	+	NA
DALI	+	NA
LUTE	+	NA

HRM Single



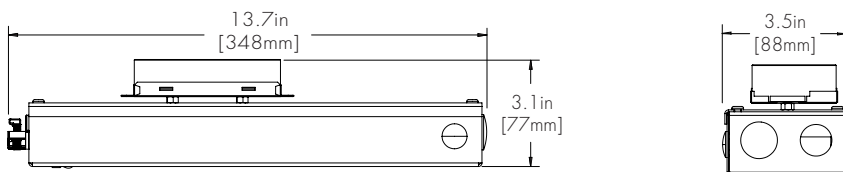
Driver	+	Driver Option
PHSD	+	NA

HRM Double



Driver	+	Driver Option
DALI8	+	NA
DMX	+	NA

EMG Emergency Driver (120 minutes EMG operation time)



Driver	+	Driver Option
010L	+	EMG
010G	+	EMG
010S	+	EMG
DALI	+	EMG
PHSD	+	EMG

ARTEMIS 3 WET

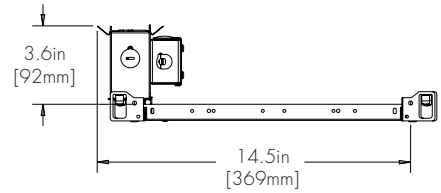
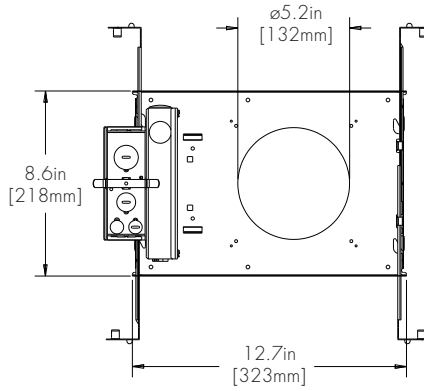
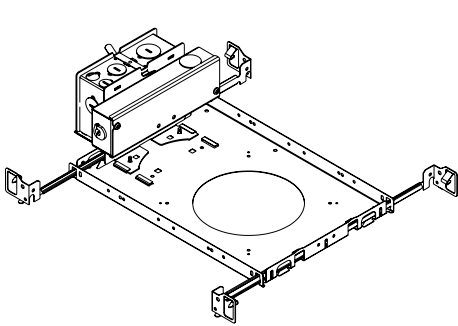
DOWNLIGHT - WALL WASH



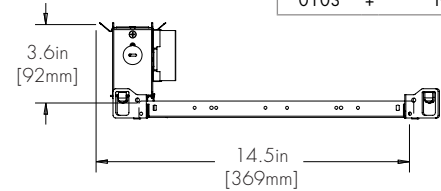
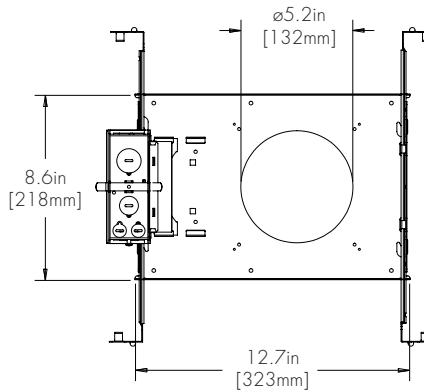
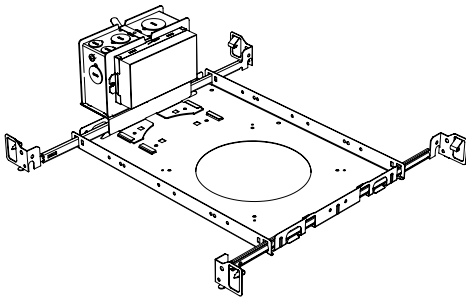
Remote Driver Housing

HP

New Construction Pan (Non-IC)



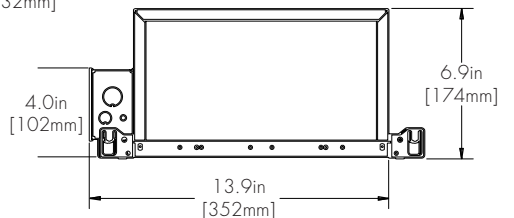
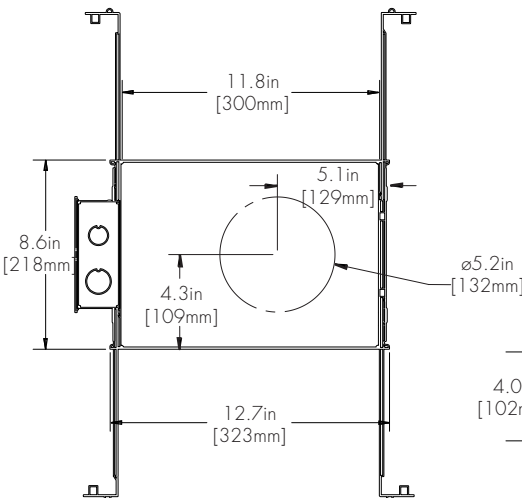
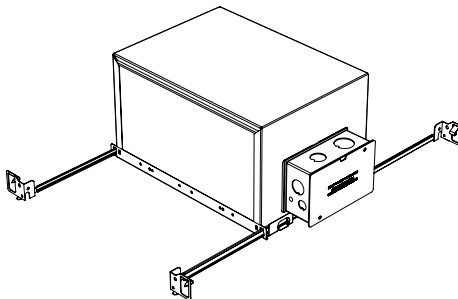
Driver	+ Driver Option
PHSD	+ NA



Driver	+ Driver Option
DALI	+ NA
010S	+ NA
010S	+ AWRN
010L	+ NA
010G	+ NA
0103	+ NA

HIC/HCP

Housing, IC Rated/ Housing, IC Rated, Chicago Plenum Rated

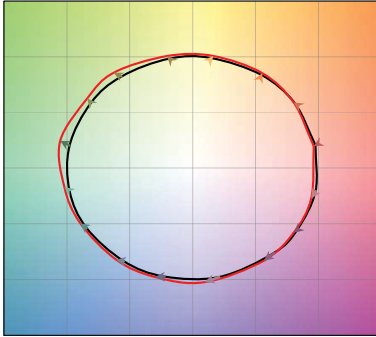


Driver	+ Driver Option
PHSD	+ NA
DALI	+ NA
010S	+ NA
010S	+ AWRN
010L	+ NA
010G	+ NA
0103	+ NA

TM-30

2500K

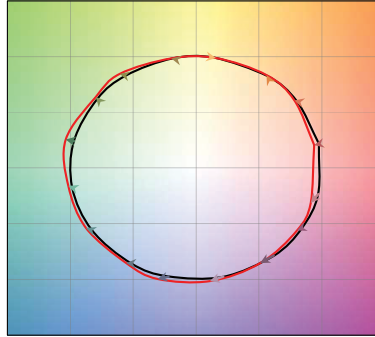
COLOR VECTOR GRAPHIC



— Reference Source — Test Source

2700K

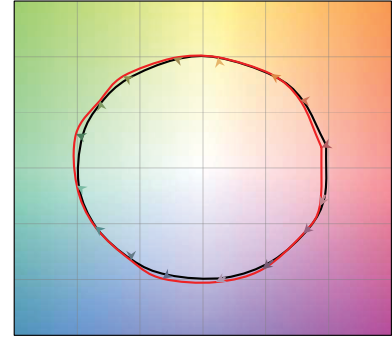
COLOR VECTOR GRAPHIC



— Reference Source — Test Source

3000K

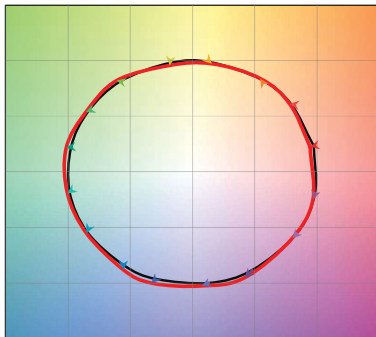
COLOR VECTOR GRAPHIC



— Reference Source — Test Source

3500K

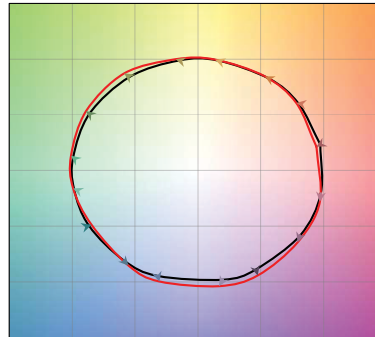
COLOR VECTOR GRAPHIC



— Reference Source — Test Source

4000K

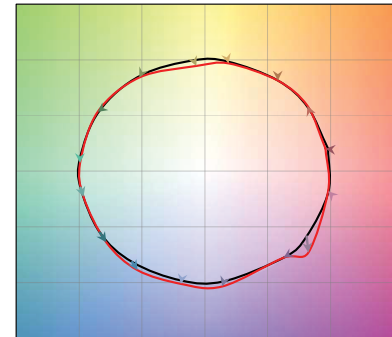
COLOR VECTOR GRAPHIC



— Reference Source — Test Source

6500K

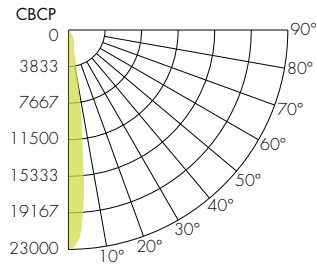
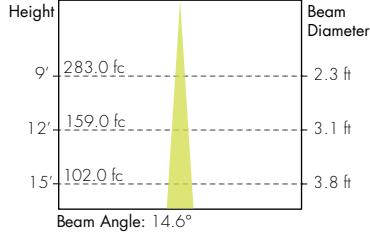
COLOR VECTOR GRAPHIC



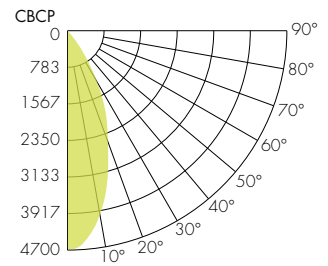
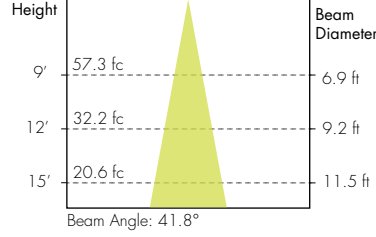
— Reference Source — Test Source

Photometry

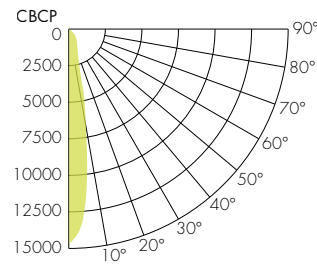
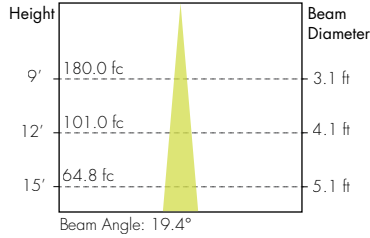
10° Faceted Reflector



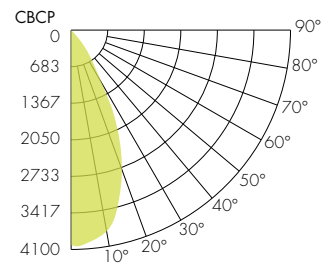
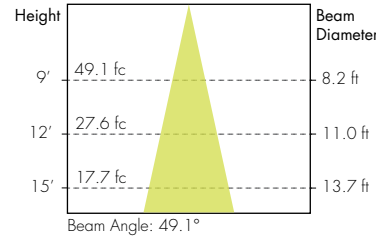
30° Smooth Reflector



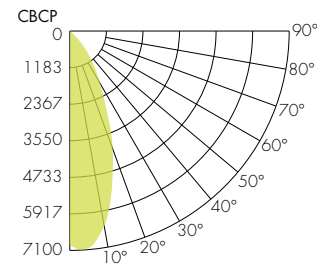
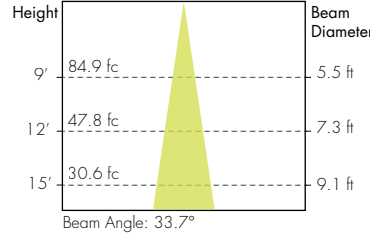
18° Faceted Reflector



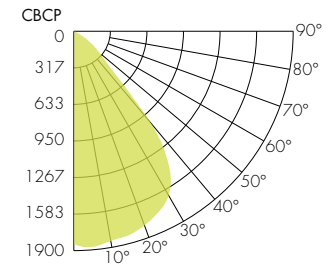
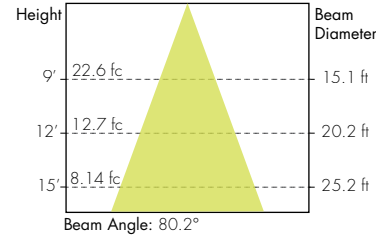
45° Smooth Reflector



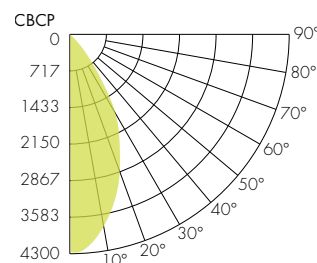
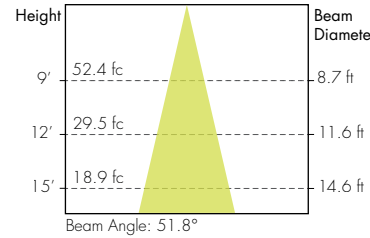
30° Faceted Reflector



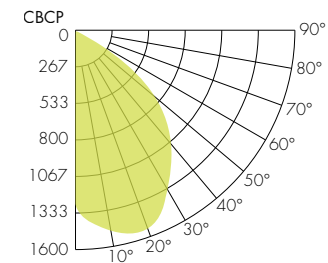
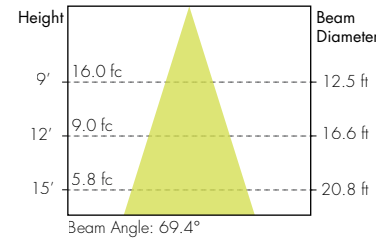
80° Smooth Reflector



45° Faceted Reflector



Wall Wash 18° Faceted Reflector



60° Faceted Reflector

