

# ARTEMIS 3

DOWNLIGHT - ADJUSTABLE - WALL WASH  
TUNABLE WHITE & WARM DIM

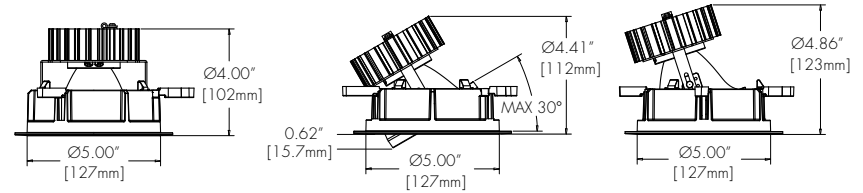


## Features

- Available as a fixed downlight, a wall washer, and an adjustable fixture with 360° rotation and up to 30° angle adjustment.
- Ceiling thickness must be between 1/4" and 1" (6mm & 25mm).
- Faceted and Smooth metal reflectors provide beam spreads between 10° to 80°
- Five year warranty.

## Finish Options

- White
- Black
- Silver



## Technical Information

TYPE	WD1830				TW2765	
	1000lm	1500lm	2000lm	3000lm	1500lm	3000lm
<b>OUTPUT OPTIONS</b>						
<b>Fixture wattage</b>	11.2 W	16.2 W	21.2 W	31.8 W	16.37 W	34.33 W
<b>Delivered Lumen at full on</b>	1072 lm	1563 lm	2006 lm	2822 lm	1500 lm	2924 lm
<b>Efficacy</b>	96 lm/W	96 lm/W	95 lm/W	89 lm/W	92 wlm/W	85 lm/W
<b>Center Beam Candlepower (10° Faceted Reflector)</b>	8012 cd	11682 cd	14992 cd	21091 cd	11211 cd	21853 cd

CCT	CRI	TM-30		
		R <sub>f</sub>	R <sub>g</sub>	R <sub>9</sub>
1800K	94	90	93	61
3000K	94	89	97	72
2700K	91	90	96	59
6500K	93	87	97	73

## Ordering Code

Example: Fixture ART3-D-TR-10-WD1830-F10-NA-WH-WH  
HRM-ART3-D-TR-10-WD1830-PHSD-NA

### Fixture

MODEL	TYPE	TRIM	OUTPUT	CCT	OPTIC	ACCESSORY	TRIM FINISH	BAFFLE FINISH
ART3-Artemis 3"	D-Fixed Downlight A-Adjustable W-Wall Wash <sup>1</sup>	TR-Trimmed TL-Trimless	10-1000 lumens 15-1500 lumens 20-2000 lumens 30-3000 lumens	WD1830-Warm Dim, 1800K-3000K TW2765-Tunable White, 2700K-6500K <sup>7,8,9</sup>	F10-10 Degree, Faceted F18-18 Degree, Faceted F30-30 Degree, Faceted F45-45 Degree, Faceted F60-60 Degree, Faceted S30-30 Degree, Smooth S45-45 Degree, Smooth S80-80 Degree, Smooth	NA-No Accessory CL-Clear Lens DL-Diffusing Lens HC-Honeycomb Louver SL-Solite Lens	WH-White BK-Black SL-Silver	WH-White BK-Black SL-Silver

HOUSING	MODEL	TRIM	OUTPUT	CCT	DRIVER	DRIVER OPTIONS
HRM-Remote Power Supply (Non-IC) HP-New Construction Pan (Non-IC) HIC-Housing, IC Rated <sup>2</sup> HCP-Housing, IC Rated, Chicago Plenum Rated <sup>2</sup>	ART3-D-Artemis 3" Downlight ART3-A-Artemis 3" Adjustable ART3-W-Artemis 3" Wall Wash	Same as Fixture	Same as Fixture	Same as Fixture	PHSD-Forward/Reverse Phase, 1% Dimming, 120V Only 010S-0-10V, 1% Dimming, 120/277V 0103-0-10V, 1% Dimming, 347V Only 010L-EldoLED, 0-10V, Linear, 0.1% Dimming, 120/277V 010G-EldoLED, 0-10V, Log, 0.1% Dimming, 120/277V DALI-EldoLED, DALI Protocol 2, DT-6, 0.1% Dimming, 120/277V DALI8-EldoLED, DALI Protocol 2, DT-8, 0.1% Dimming, 120/277V <sup>4</sup> LUTE-Lutron Hilume Ecodigital, 1% Dimming, 120V/277V <sup>3,4</sup> DMX-EldoLED, DMX, 0.1% Dimming, 120V/277V <sup>4</sup>	NA-None EMG-Emergency Driver <sup>4,5</sup> AWN-R Athena <sup>6</sup>

1 - Wall Wash is only available with Optic F18 - 18 Degree, Faceted and DL - Diffusing Lens.  
2 - Housings HIC and HCP are not available when output exceeds 2000 lumens.  
3 - LUTE driver is not available at 700 lumens.  
4 - Drivers DALI8/LUTE/DMX/EMG are only available with HRM - Remote Power Supply.  
5 - Emergency option comes prewired from factory with driver in remote housing. 8V of continuous power provided for a minimum of 90 minutes. Must be installed within 30 feet of luminaire using 18 AWG wire. Only available with 010S/010L/010G/PHSD/DALI Drivers.

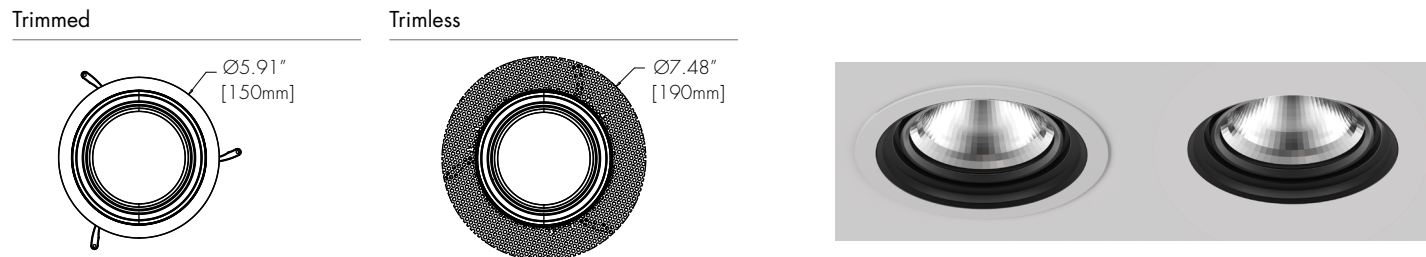
6 - AWNR only available with HP/HIC/HCP Housings and 010S Driver.  
7 - TW2765 only available with 1500/3000 lumens.  
8 - TW2765 only available with Drivers 010L/010G/DALI8/DMX. Cannot use with EMG.  
9 - TW2765 requires HRM - Remote Power Supply.

CONTACT FACTORY FOR MORE OPTIONS.

# ARTEMIS 3

DOWNLIGHT - ADJUSTABLE - WALL WASH  
TUNABLE WHITE & WARM DIM

## Dimensions



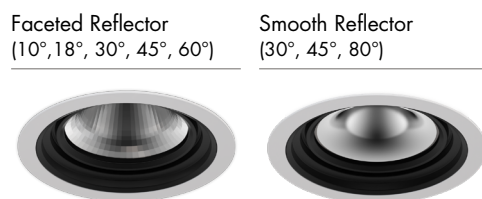
## Downlight & Adjustable Lens



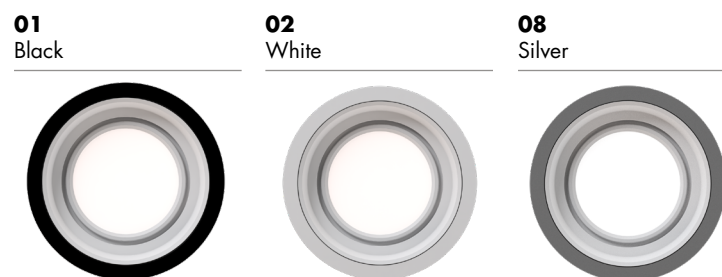
## Wall Wash Lens



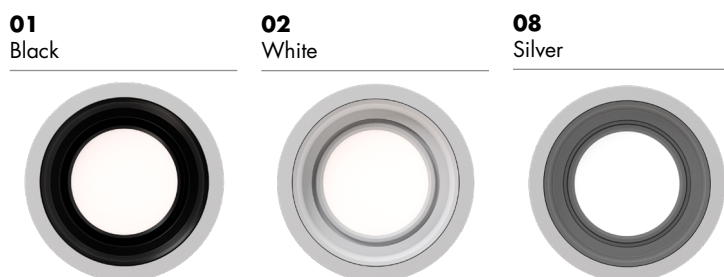
## Optics



## Trim Finishes



## Baffle Finishes



Any combination may be used for Trim and Baffle finishes.

# ARTEMIS 3

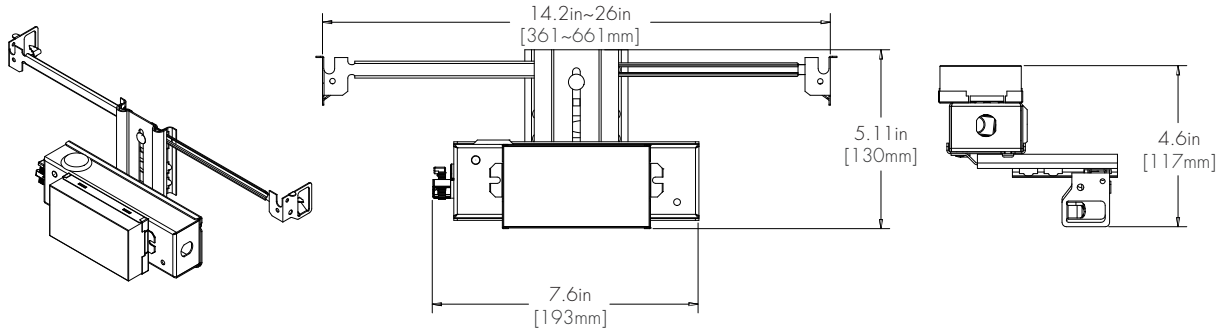
DOWNLIGHT - ADJUSTABLE - WALL WASH  
TUNABLE WHITE & WARM DIM

## Remote Driver Housing

Maximum mounting distance to luminaire using 18 AWG wire

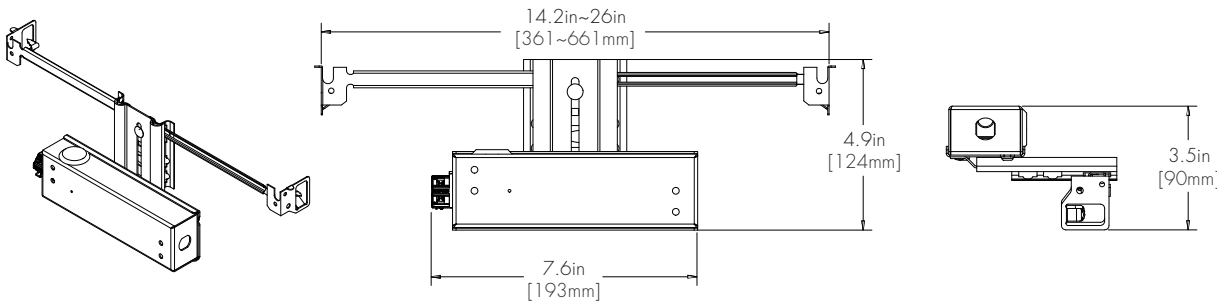
010S	PHSD	010L	010G	DALI DALI8	DMX	LUTE
16'	16'	72'	72'	72'	149'	15'

### HRM Single with Externally Mounted Driver



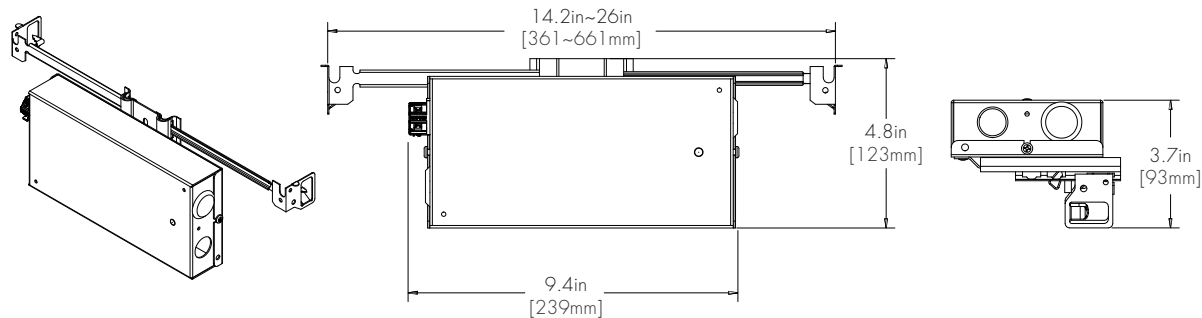
Driver	+	Driver Option
010L	+	NA
010G	+	NA
010S	+	NA
DALI	+	NA
LUTE	+	NA

### HRM Single



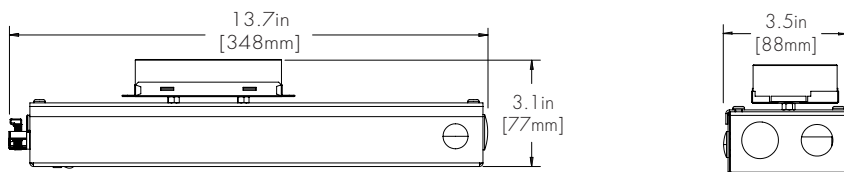
Driver	+	Driver Option
PHSD	+	NA

### HRM Double



Driver	+	Driver Option
DALI8	+	NA
DMX	+	NA

### EMG Emergency Driver (120 minutes EMG operation time)



Driver	+	Driver Option
010L	+	EMG
010G	+	EMG
010S	+	EMG
DALI	+	EMG
PHSD	+	EMG

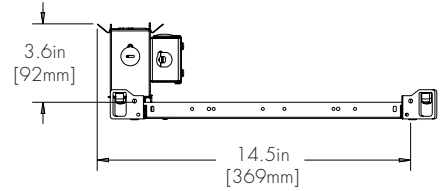
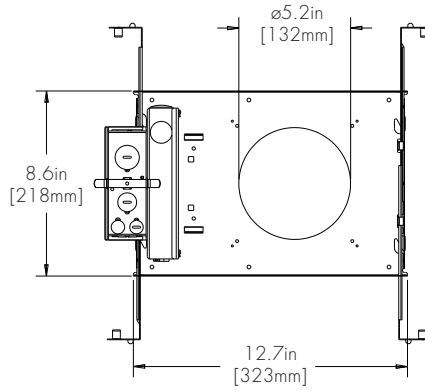
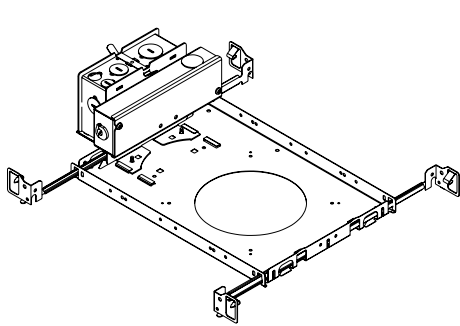
# ARTEMIS 3

DOWNLIGHT - ADJUSTABLE - WALL WASH  
TUNABLE WHITE & WARM DIM

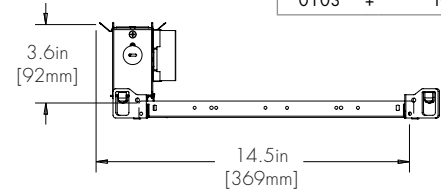
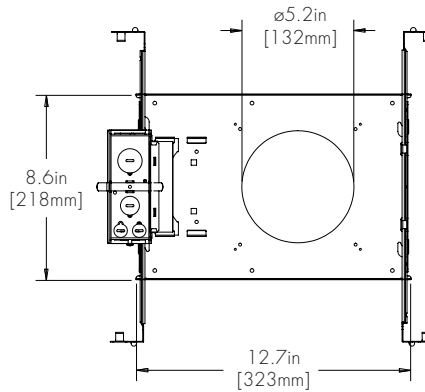
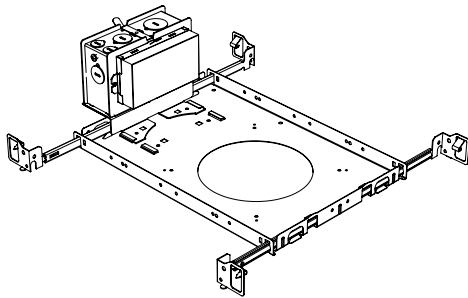
## Remote Driver Housing

### HP

New Construction Pan (Non-IC)



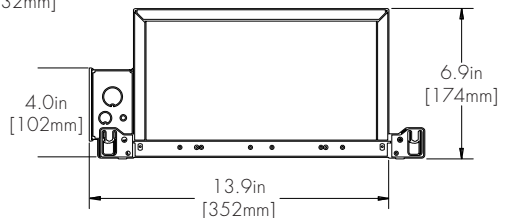
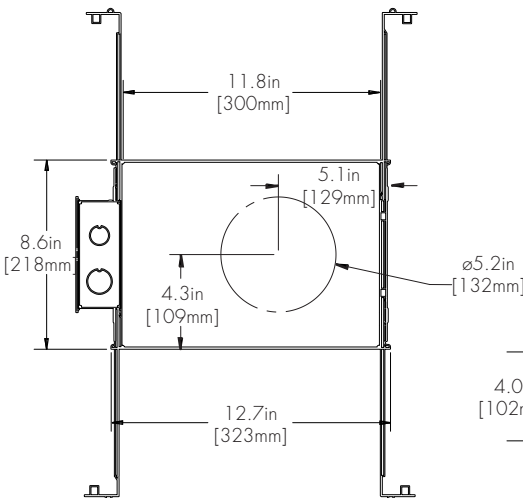
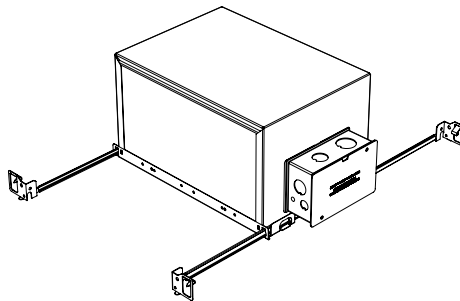
Driver	+ Driver Option
PHSD	+ NA



Driver	+ Driver Option
DALI	+ NA
010S	+ NA
010S	+ AWRNR
010L	+ NA
010G	+ NA
0103	+ NA

### HIC/HCP

Housing, IC Rated/ Housing, IC Rated, Chicago Plenum Rated



Driver	+ Driver Option
PHSD	+ NA
DALI	+ NA
010S	+ NA
010S	+ AWRNR
010L	+ NA
010G	+ NA
0103	+ NA

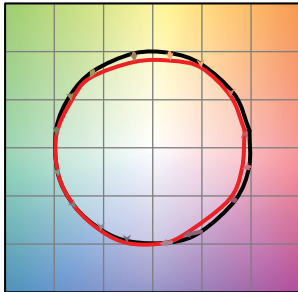
# ARTEMIS 3

DOWNLIGHT - ADJUSTABLE - WALL WASH  
TUNABLE WHITE & WARM DIM

## TM-30

Warm Dim 1800K

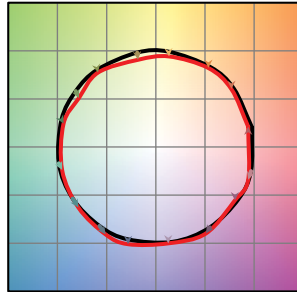
COLOR VECTOR GRAPHIC



— Reference Source — Test Source

Warm Dim 3000K

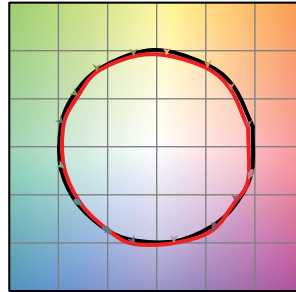
COLOR VECTOR GRAPHIC



— Reference Source — Test Source

Tunable White 2700K

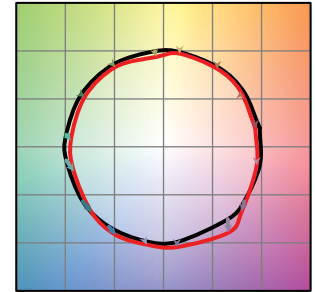
COLOR VECTOR GRAPHIC



— Reference Source — Test Source

Tunable White 6500K

COLOR VECTOR GRAPHIC



— Reference Source — Test Source

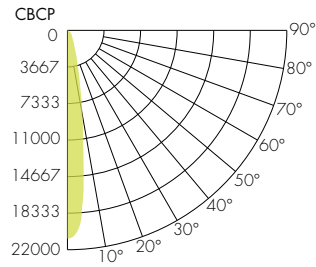
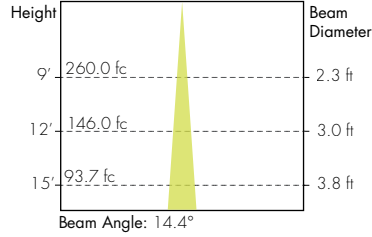
# ARTEMIS 3

DOWNLIGHT - ADJUSTABLE - WALL WASH  
TUNABLE WHITE & WARM DIM

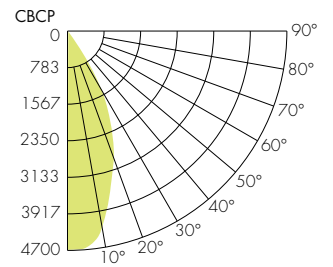
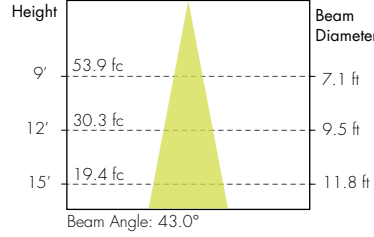


## Photometry

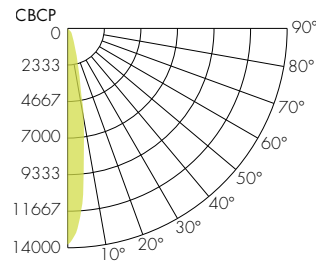
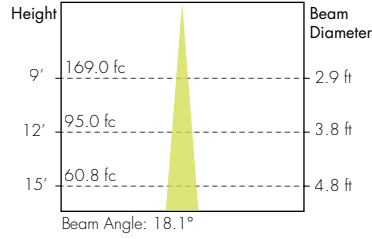
### 10° Faceted Reflector



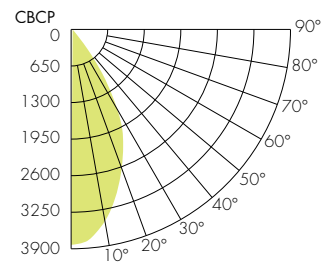
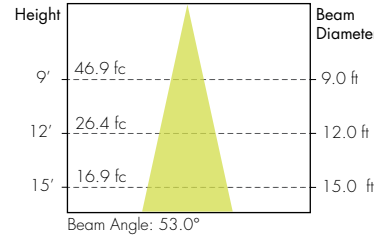
### 30° Smooth Reflector



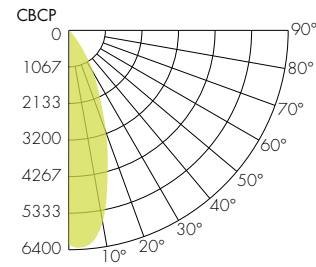
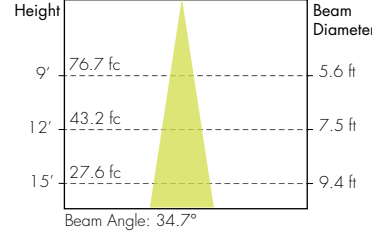
### 18° Faceted Reflector



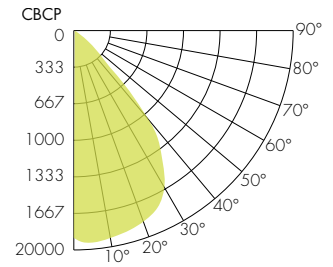
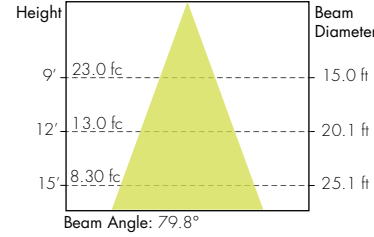
### 45° Smooth Reflector



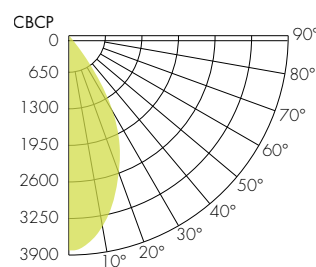
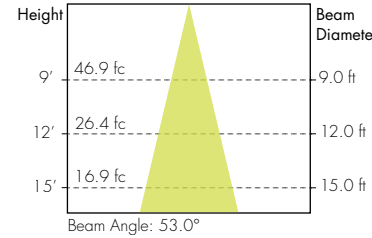
### 30° Faceted Reflector



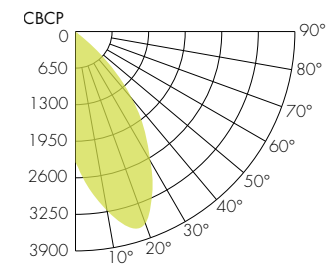
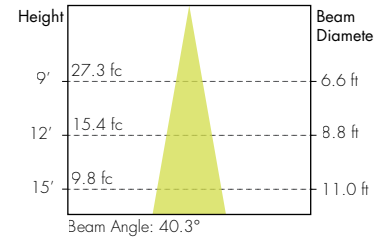
### 80° Smooth Reflector



### 45° Faceted Reflector



### Wall Wash 18° Faceted Reflector



### 60° Faceted Reflector

