

Features

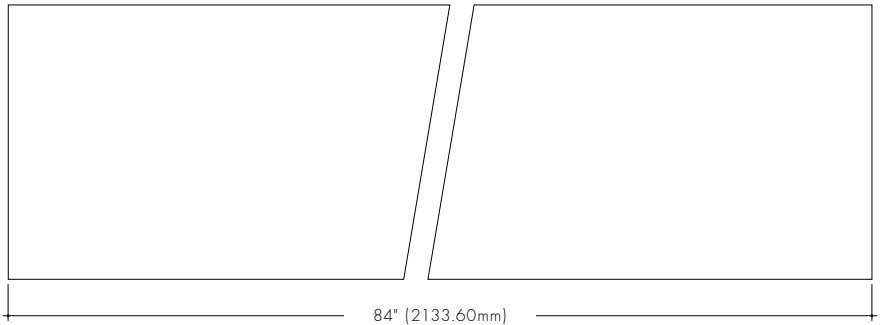
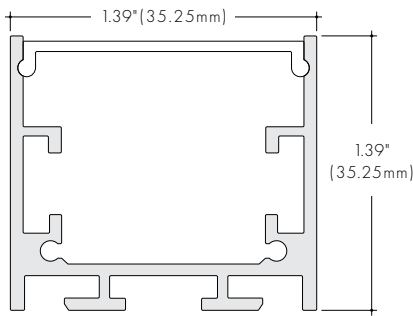
Wide and deep surface mounted or hanging channel. Eliminates visible LED nodes for most OAX products when used with a half frosted lens.

Finish
Silver anodized

Mounting
Multiple mounting clip options ordered separately

Diffuser Lens
Polycarbonate, snap-in-place, UV resistant

Product Dimensions



INCLUDED MOUNTING ACCESSORIES

EXTRUSION LENGTH	FIXED CLIP	ENDCAP PAIR
84"	6	1

Each pair of endcaps includes 1x H0 (no wire feed hole) and 1x H1 (with hole) where applicable. Additional endcaps and mounting clips are available for purchase.

Ordering Code

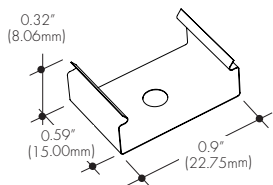
MODEL	LENGTH	LENS	MOUNTING ²	FINISH
1414C - 1414 Channel ¹	84 - 84"	HF - Half Frosted	FC - Fixed Clip	SA - Satin Silver Anodized

1 - End Caps are included with channel, one of H0 (no hole) and one of H1 (with hole). Order additional End Caps as necessary.
2 - Mounting Clips are included with channel. Order additional Mounting Clips as necessary.

All Channels come with a specified set of Mounting Clips and End Caps, see Ordering Code for details. Order additional Mounting Clips and End Caps as necessary.

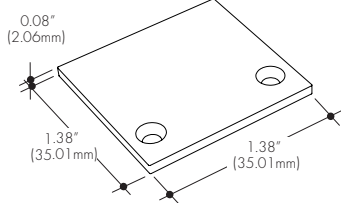
Mounting Clips

MC-1414C.
Fixed Clip
-FC

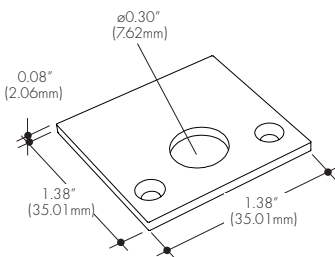


End Caps

EC-1414C-H0.
Silver Anodized End Cap

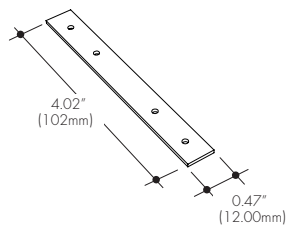


EC-1414C-H1.
Silver Anodized End Cap with powerfeed opening

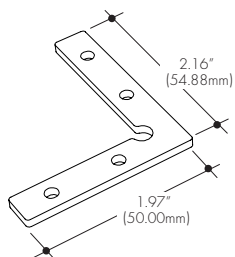


Joiners

ABSTR-14XX
Bracket Straight



AB90F-14XX
Bracket 90° Flat



AB90R-14XX
Bracket 90° Raised

