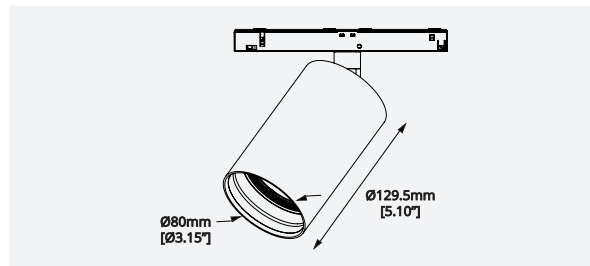


# SOLO 20



## OVERVIEW

Solo 20 Warm Dim brings the ambiance and warmth of traditional Halogen dimming into the modern age, with the added control and efficiency of advanced LED technology. As the fixture is dimmed, its colour temperature shifts smoothly from neutral 3,000K to a candlelight-like 1,800K, creating a cozy, inviting atmosphere. Powered by on-board intelligence within the fixture, Solo 20 Warm Dim is the perfect choice for residential, hospitality, or any space where mood-setting and warmth are key priorities.

## KEY FEATURES

- Colour temperature becomes warmer with dimming
- No additional controls required for Warm Dim function
- Concealed hinge with 360° lockable pan, and 90° Tilt
- High output single source light engine
- Customisable with a range of optical accessories and holders
- Adapted for use with Stucchi Multisystem Evo 48V track

## PERFORMANCE SUMMARY

	WARM DIM			
	Narrow	Medium	Wide	V. Wide
FWHM	21°	27°	38°	57°
Luminous Flux*	1,933 lm	1,765lm	1,790 lm	1,890 lm
Peak Intensity	11,335 Cd	6,820 Cd	4,289 Cd	2,294 Cd
CCT Range	1800 - 3000K			
CRI Min.	CRI 90			
Drive Current	700 mA			
Nom. Voltage	36 V			
Max. Wattage	25.4 W			
Max. Efficacy	82.8 lm/W			
Driver Type	Constant Current   Remote			
Class	SELV   Class III			

\* Luminous Flux @ 3000K as delivered

## ORDERING CODES

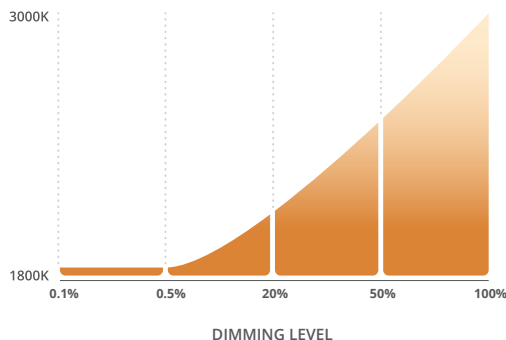
Luminaire:

Base Code	Engine	Track Adapter	Fixture Finish	CCT & CRI	Beam Angle	Driver*
1122		-				
	<b>W</b> Warm Dim	<b>B</b> Black <b>T</b> Traffic White	<b>A</b> Brushed Aluminium <b>B</b> Black <b>T</b> Traffic White <b>R</b> Rubbed Bronze <b>P</b> Polished Brass <b>S</b> Brushed Brass	<b>W01</b> 1800 - 3000K   CRI 90 Min.	<b>NA</b> Narrow <b>ME</b> Medium <b>WD</b> Wide <b>VW</b> Very Wide	<b>A</b> 0-10V <b>D</b> DALI

\* LED Driver integral to track adapter  
48V PSU required to energise track system - see page 5

## WARM DIM TECHNOLOGY

Precision's Warm Dim technology utilises fixture-integrated electronics that warm the colour temperature of the light as it dims; combining the beauty of Halogen with the efficacy of LEDs.



## LIFETIME + ENVIRONMENTAL

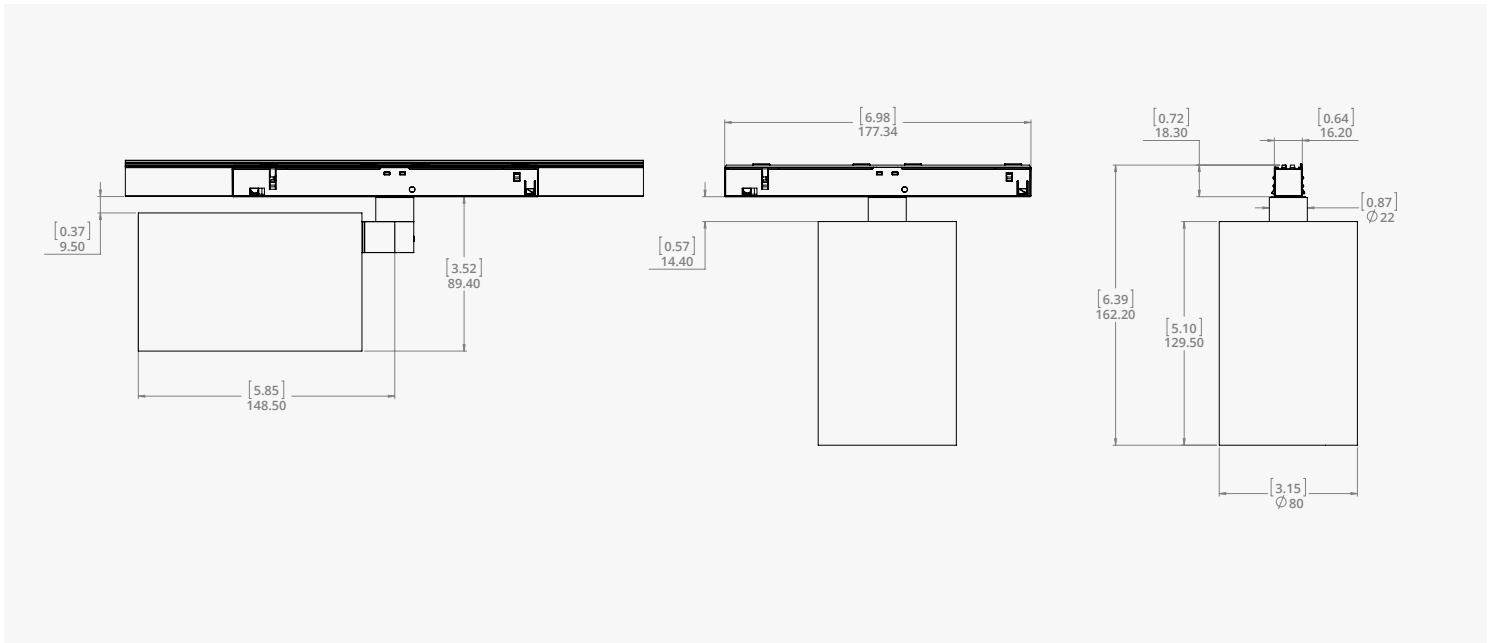
At Precision, we design and engineer our products with longevity in mind. Many of the components that make up our light fixtures are both modular, and re-usable, making it possible to service and repair them throughout their life in service. Once our products reach the end of their useful life, it is possible to re-work and renew them in to a new product. We prioritise the use of recyclable materials in both our products and packaging, and encourage our customers to engage responsibly in the correct disposal of any materials we supply.

## WARM DIM

### UK PART L

Part L1A / L1B (Dwellings)	●
Part L2A (General)	○
Part L2A (Display)	●
CIBSE TM65	28.023 Kg/CO2e
CIBSE TM66	2.4

## DIMENSIONS



## MECHANICAL

<b>Location</b>	IP20   Indoor Dry Location Only
<b>Mounting</b>	Surface plate with decorative cover
<b>Adjustability</b>	360° Lockable Pan   90° Tilt
<b>Material</b>	Aluminium 6063 or Brass H59
<b>Weight</b>	0.80 Kg [1.76 lbs] or 1.38 Kg [3.04 lbs]

## FINISHES



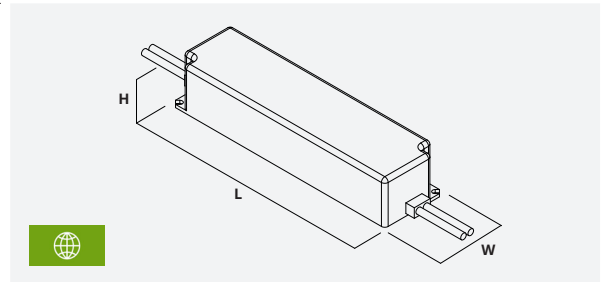
## TRACK 48V PSU SELECTION

### Remote | 100W

<b>Input Voltage</b>	230 VAC   50/60 Hz
<b>Output Voltage</b>	48 VDC
<b>Driver Type</b>	Remote   Constant Voltage
<b>Location</b>	IP20   Indoor Dry Location Only
<b>Usage Region</b>	International

#### WARM DIM

<b>Compatibility</b>	
<b>Max. Fixtures</b>	3
<b>Order Code</b>	PSCV-100-48-N1-MW



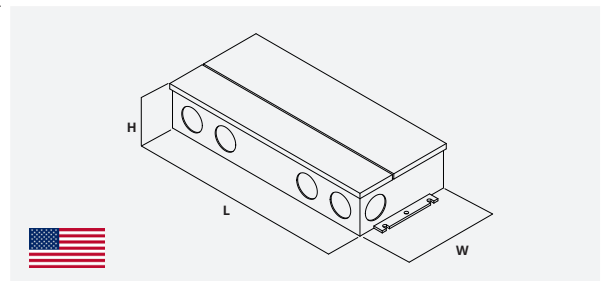
	L	W	H
mm	190	52	37
in	7.48	2.05	1.46

### Remote | 96W

<b>Input Voltage</b>	120 - 277 VDC
<b>Output Voltage</b>	48 VDC
<b>Driver Type</b>	Remote Enclosure   Constant Voltage
<b>Location</b>	IP20   Indoor Dry Location Only
<b>Usage Region</b>	North America Only

#### WARM DIM

<b>Compatibility</b>	
<b>Max. Fixtures</b>	3
<b>Order Code</b>	USCV-96-48-N1-SC-EN

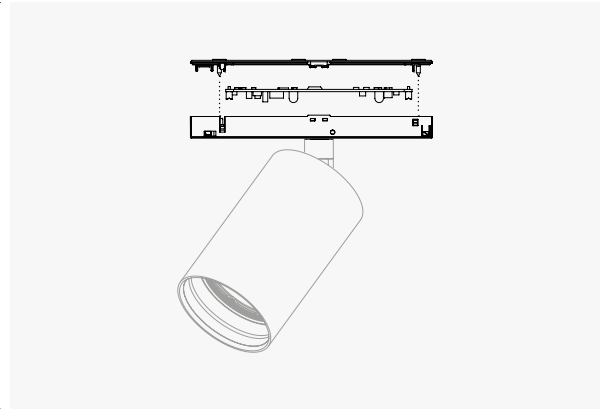


	L	W	H
mm	153	76.2	30.5
in	6.0	3.0	1.2

## FIXTURE | INTEGRATED DRIVER DATA

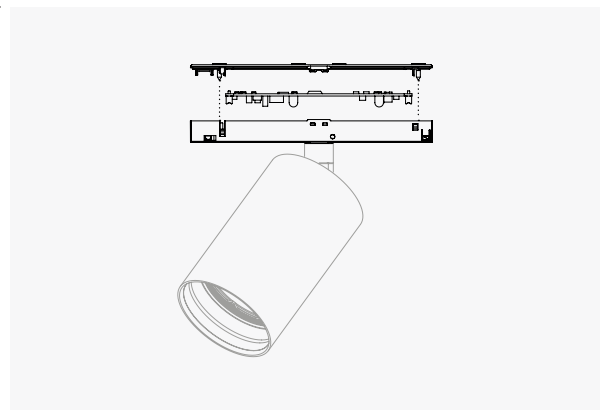
### Fixture Integrated | 32W | 0-10V

Input Voltage	48 VDC
Dimming Control	0-10V
Min. Dim Level	0.5%
Flicker	No Observable Effect
Driver Type	Integral   Constant Voltage
Location	IP20   Indoor Dry Location Only
Hotplug Protection	Yes



### Fixture Integrated | 32W | DALI DT6

Input Voltage	48 VDC
Dimming Control	DALI
Min. Dim Level	0.1%
Flicker	IEEE P1789 Compatible   No Observable Effect
Driver Type	Integral   Constant Voltage
Location	IP20   Indoor Dry Location Only
Hotplug Protection	Yes



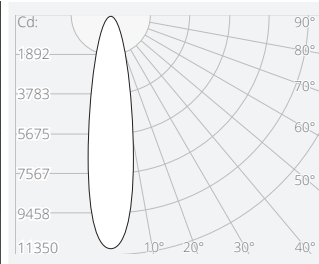
\* Integrated driver is non-removable | data provided for information only

## PHOTOMETRY DIAGRAMS

## WARM DIM

### Narrow | 21° Beam

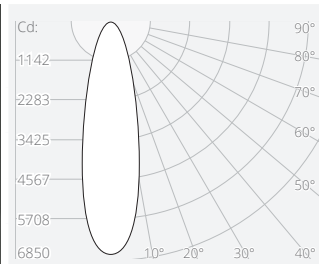
FWHM	21°
Delivered Flux	1,933 lm
Peak Intensity	11,335 Cd
UGR	UGR 10



Distance	Beam Diameter	lx	fc	ft	UGR
1m	0.37m	11335lx	1259fc	1.1ft	3ft
2m	0.74m	2834lx	315fc	2.2ft	6ft
3m	1.11m	1259lx	140fc	3.3ft	9ft
4m	1.48m	708lx	79fc	4.4ft	12ft
5m	1.85m	453lx	50fc	5.6ft	15ft
			35fc	6.7ft	18ft

### Medium | 27° Beam

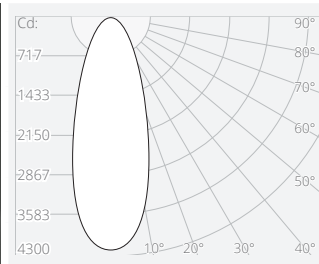
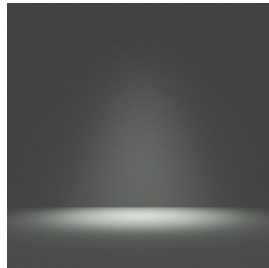
FWHM	27°
Delivered Flux	1,765 lm
Peak Intensity	6,820 Cd
UGR	UGR 12.9



Distance	Beam Diameter	lx	fc	ft	UGR
1m	0.48m	6820lx	758fc	1.4ft	3ft
2m	0.96m	1705lx	189fc	2.9ft	6ft
3m	1.44m	758lx	84fc	4.3ft	9ft
4m	1.92m	426lx	47fc	5.8ft	12ft
5m	2.40m	273lx	30fc	7.2ft	15ft
			21fc	8.6ft	18ft

### Wide | 38° Beam

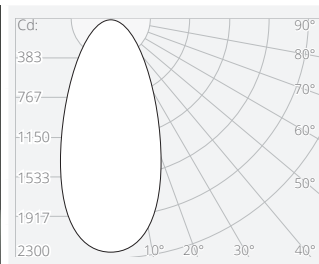
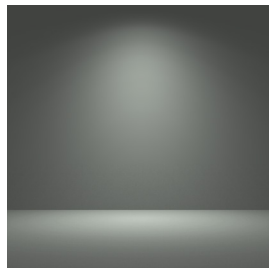
FWHM	38°
Delivered Flux	1,790 lm
Peak Intensity	4,289 Cd
UGR	UGR 12.6



Distance	Beam Diameter	lx	fc	ft	UGR
1m	0.69m	4289lx	477fc	2.1ft	3ft
2m	1.38m	1072lx	119fc	4.1ft	6ft
3m	2.07m	477lx	53fc	6.2ft	9ft
4m	2.75m	268lx	30fc	8.3ft	12ft
5m	3.44m	172lx	19fc	10.3ft	15ft
			13fc	12.4ft	18ft

### Very Wide | 50° Beam

FWHM	50°
Delivered Flux	1,890 lm
Peak Intensity	2,284 Cd
UGR	UGR 20



Distance	Beam Diameter	lx	fc	ft	UGR
1m	0.93m	2294lx	255fc	2.8ft	3ft
2m	1.87m	574lx	64fc	5.6ft	6ft
3m	2.80m	255lx	28fc	8.4ft	9ft
4m	3.73m	143lx	16fc	11.2ft	12ft
5m	4.66m	92lx	10fc	14.0ft	15ft
			7fc	16.8ft	18ft

All diagrams and data as measured @ 3000K

## PERFORMANCE SCALING BY CCT

CCT	Output Multiplier	Colour Consistency
1800K	x0.02	5 SDCM
2000K	x0.10	↑ ..... 3 SDCM
2400K	x0.45	
2700K	x0.73	
3000K	x1.00	

Digital photometric files available as .LDT format.

Contact your sales rep or visit [www.luminii.com](http://www.luminii.com) for more information.



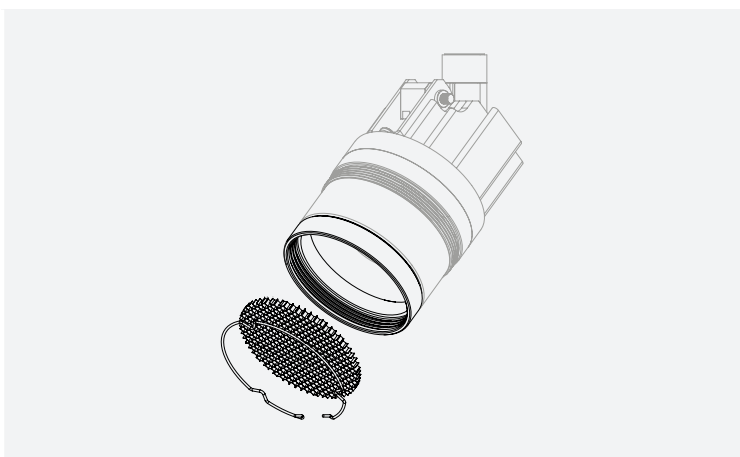
## PRODUCT ANATOMY



*\*Optical accessories ordered separately*

- 1 High Output COB Light Engine with Warm Dim technology
- 2 Interchangeable Colour Mixing TIR Optic
- 3 Integral Double Accessory Holder
- 4 Range of Optical Accessories
- 5 Accessory Retention Clip

## INTEGRATED ACCESSORY HOLDERS



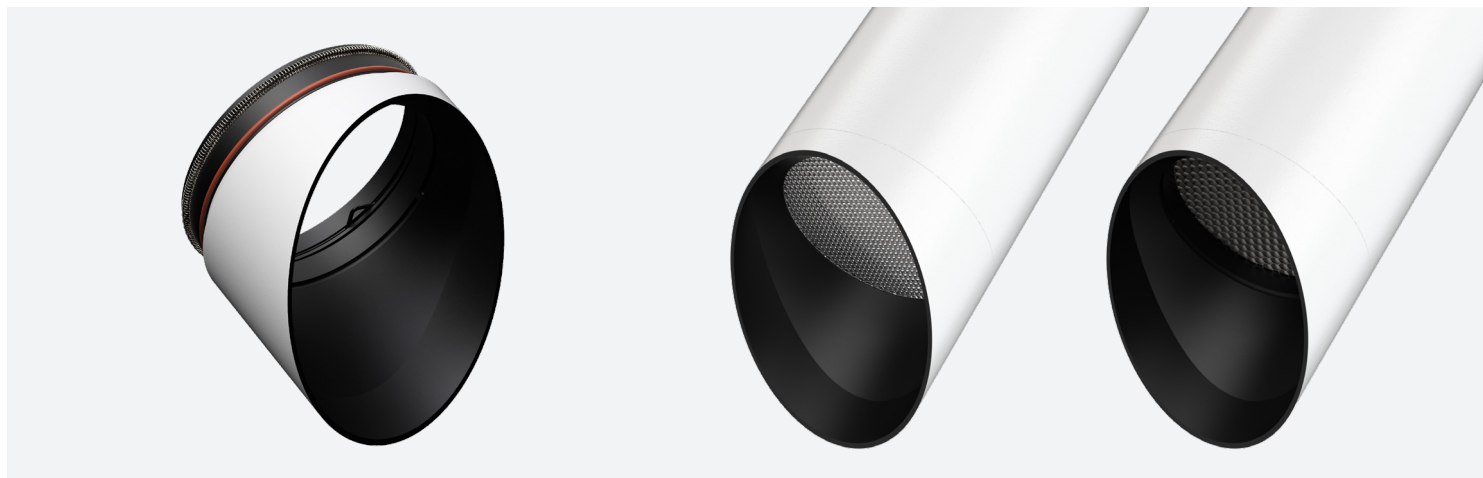
### Double Accessory Holder

*Built-in to Solo 20 Warm Dim*

**Accessory Dia.**     $\varnothing 68\text{mm}$  |  $\varnothing 2.68''$

**Capacity**         $5.0\text{mm}$  |  $0.2''$  Max Thickness

## GLARE GUARD ACCESSORY HOLDER

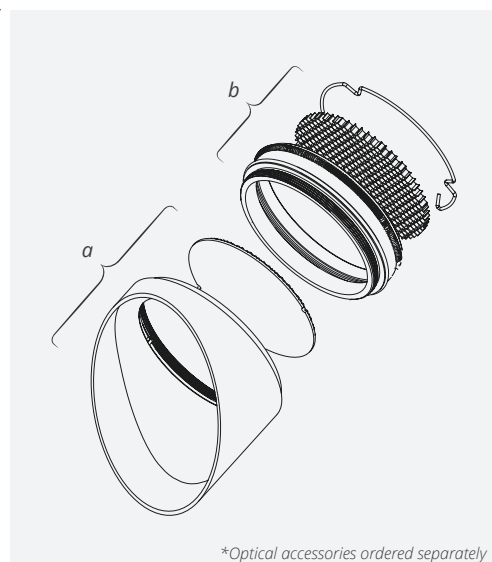


The Glare Guard Accessory Holder is an angled, snap-in snoot extension capable of holding a range of optical accessories, including honeycombs, gels, and beam shaping optics such as Wallwash and Linear Spread Lenses. The holder comprises of two halves, a front compartment and a rear compartment. The rear compartment is capable of holding a single accessory, whilst the front compartment is used to hold orientation dependent beam shaping optics such as the Wallwash and Linear Spread lens.

	a. Front Compartment	b. Rear Compartment
Accessory Diameter	Ø66 mm   2.60"	Ø68 mm   2.67"
Capacity	1.2mm   0.05" Max. Thickness	3.2mm   0.125" Max. Thickness
Orientation Indexing	Yes - Alignment Notches	No
Weight	Aluminium: 114g   Brass: 287g	

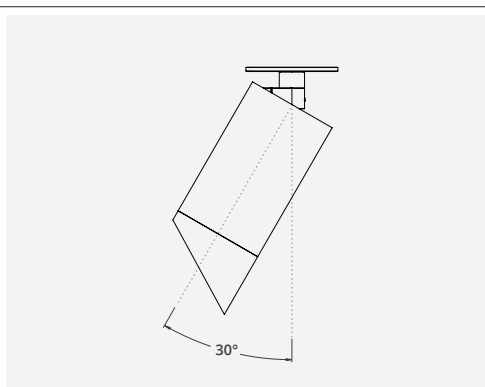
### Ordering Codes\*

	Black	1120-GLR-01-BK		Polished Brass	1120-GLR-02-PB
	Traffic White	1120-GLR-01-TW		Brushed Brass	1120-GLR-02-SB
	Brushed Aluminium	1120-GLR-01-AL		Rubbed Bronze	1120-GLR-02-RB



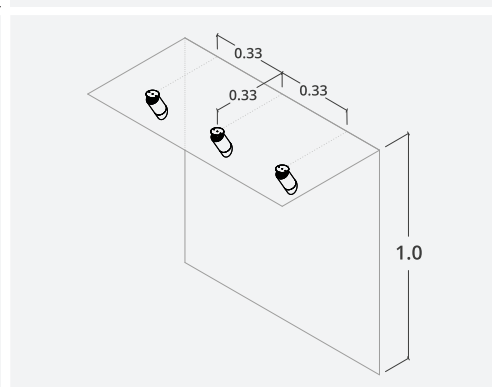
### Orientation Indexing

For optical accessories that require a specific orientation, use their alignment notches to position them correctly within the Glare Guard Accessory Holder.



### Wallwash Fixture Angle

For optimum performance, the fixture should be angled at approx. 30° from the vertical plane.



### Wallwash Positioning and Pitch

Wallwash fixtures should be positioned one-third of the ceiling height away from the wall and spaced apart by the same distance.



## SNOOT ACCESSORY HOLDER



The Snoot Accessory Holder (sold separately) enhances the Solo 20's optical accessory capacity while adding decorative trim in a variety of complementary finishes. Its snap-in, snap-out mechanism is completely tool-free, making on-site adjustments simple and ensuring the holder fits flush with the snoot's front edge.

<b>Accessory Diameter</b>	Ø68 mm   2.67"
<b>Capacity</b>	3.2mm   0.125" Max. Thickness
<b>Orientation Index</b>	No
<b>Weight</b>	Aluminum 31g   Brass 91g





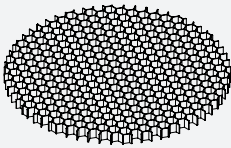
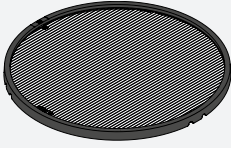
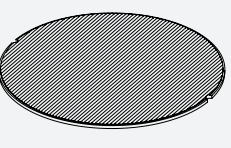
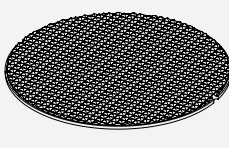
### Ordering Codes\*

	<b>Black</b>	1120-HOL-01-BK		<b>Polished Brass</b>	1120-HOL-02-PB
	<b>Traffic White</b>	1120-HOL-01-TW		<b>Brushed Brass</b>	1120-HOL-02-SB
	<b>Brushed Aluminium</b>	1120-HOL-01-AL		<b>Rubbed Bronze</b>	1120-HOL-02-RB



\*Optical accessories ordered separately

## OPTICAL ACCESSORIES

<b>SPARE OPTICS</b>				
	<p><b>Narrow TIR Optic</b> For Solo 20 Warm Dim HKRG-68-15-PC</p>	<p><b>Medium TIR Optic</b> For Solo 20 Warm Dim HKRG-68-24-PC</p>	<p><b>Wide TIR Optic</b> For Solo 20 Warm Dim HKRG-68-36-PC</p>	<p><b>Very Wide TIR Optic</b> For Solo 20 Warm Dim HKRG-68-50-PC</p>
	<b>GLARE CONTROL</b>			
		<p><b>Ø68 Honeycomb Louvre</b> Ø68 x 3.2mm   Ø2.67 x 0.125" Fits all accessory holders 995-68-BK</p>		
<b>BEAM MODIFIERS</b>				
	<p><b>Ø68 Linear Spread Lens</b> Ø68 x 3.0mm   Ø2.67 x 0.12" Fits all accessory holders HKFD-68-LIN</p>	<p><b>Ø66 Linear Spread Lens</b> Ø66 x 1.2mm   Ø2.60 x 0.05" For Glare Guard Accessory only HKFD-68-LIN-1</p>	<p><b>Ø66 Wallwash Lens</b> Ø66 x 1.2mm   Ø2.60 x 0.05" For Glare Guard Accessory only HKFD-68-WAS-1</p>	