

## OVERVIEW

Solo 20 Tunable White delivers ultimate flexibility in lighting design, offering control over colour temperature independently of brightness to suit a wide range of applications. Two distinct colour ranges are available: a super-warm to neutral option (1,800K to 3,000K), ideal for hospitality and residential settings, and a warm to cool option (2,700K to 5,000K), designed for tonal adjustments for artworks or human-centric lighting applications.

## KEY FEATURES

- Tunable White light engine available in 2 CCT ranges
- Concealed hinge allows full 360° locking pan and 90° Tilt
- High output single source light engine
- Customisable with a range of optical accessories and holders
- Adapted for use with Stucchi Multisystem Evo 48V track

## PERFORMANCE SUMMARY

	1800 - 3000K				2700 - 5000K			
	Narrow	Medium	Wide	V. Wide	Narrow	Medium	Wide	V. Wide
FWHM	20°	27°	38°	57°	21°	28°	38°	57°
Luminous Flux*	1,554 lm	1,400 lm	1,406 lm	1,471 lm	1,820 lm	1,682 lm	1,568 lm	1,768 lm
Peak Intensity	25,452 Cd	14,047 Cd	6,230 Cd	3,074 Cd	10,971 Cd	6,418 Cd	3,942 Cd	2,157 Cd
CCT Tuning Range	1800 - 3000K				2700 - 5000K			
CRI Min.	Ra 90 (R9 75)				Ra 90 (R9 75)			
Typ. Current	605 mA				700 mA			
Nom. Voltage	36V				36V			
Max. Wattage	25.0 W				25.3 W			
Max. Efficacy	76.1 lm/W				75.6 lm/W			
Driver Type	Constant Current   Remote				Constant Current   Remote			
Class	SELV   Class III				SELV   Class III			

\* Luminous Flux @ 3000K as delivered

## ORDERING CODES

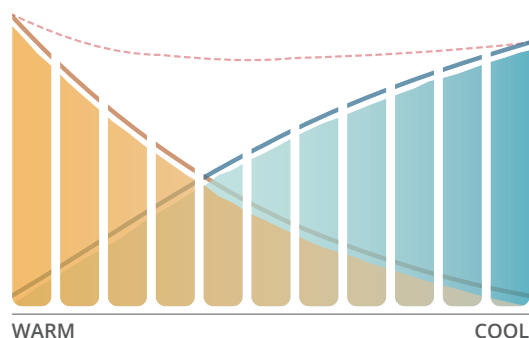
Luminaire:

Base Code	Engine	Track Adapter	Fixture Finish	CCT & CRI	Beam Angle	Driver*
1122	T Tunable White	B Black T Traffic White	A Brushed Aluminium B Black T Traffic White R Rubbed Bronze P Polished Brass S Brushed Brass	T01 1800 - 3000K   CRI 90 Min. T02 2700 - 5000K   CRI 90 Min.	NA Narrow ME Medium WD Wide VW Very Wide	A 0-10V D DALI C Casambi

\* LED Driver integral to track adapter  
48V PSU required to energise track system - see page 5

## TUNABLE WHITE TECHNOLOGY

Precision's Tunable White technology allows users to adjust the correlated colour temperature (CCT) of their fixture on demand, with options for analogue, digital, or wireless control. Two tuning ranges are available to suit a range of applications. Ultra-warm 1800K to 3000K is perfectly suited to mood-setting in residential and hospitality applications. Alternatively, 2700K to 5000K allows tuning between warm and cool light to support human-centric applications, or tonal adjustments when lighting artworks. By default, our tunable white fixtures are biased towards maximising the total lumen output across the tuning range, but it is possible to configure the fixture to maintain light output instead. Speak to your sales rep for more details.



## LIFETIME + ENVIRONMENTAL

At Precision, we design and engineer our products with longevity in mind. Many of the components that make up our light fixtures are both modular, and re-usable, making it possible to service and repair them throughout their life in service. Once our products reach the end of their useful life, it is possible to re-work and renew them in to a new product. We prioritise the use of recyclable materials in both our products and packaging, and encourage our customers to engage responsibly in the correct disposal of any materials we supply.

### tunable/**WHITE**

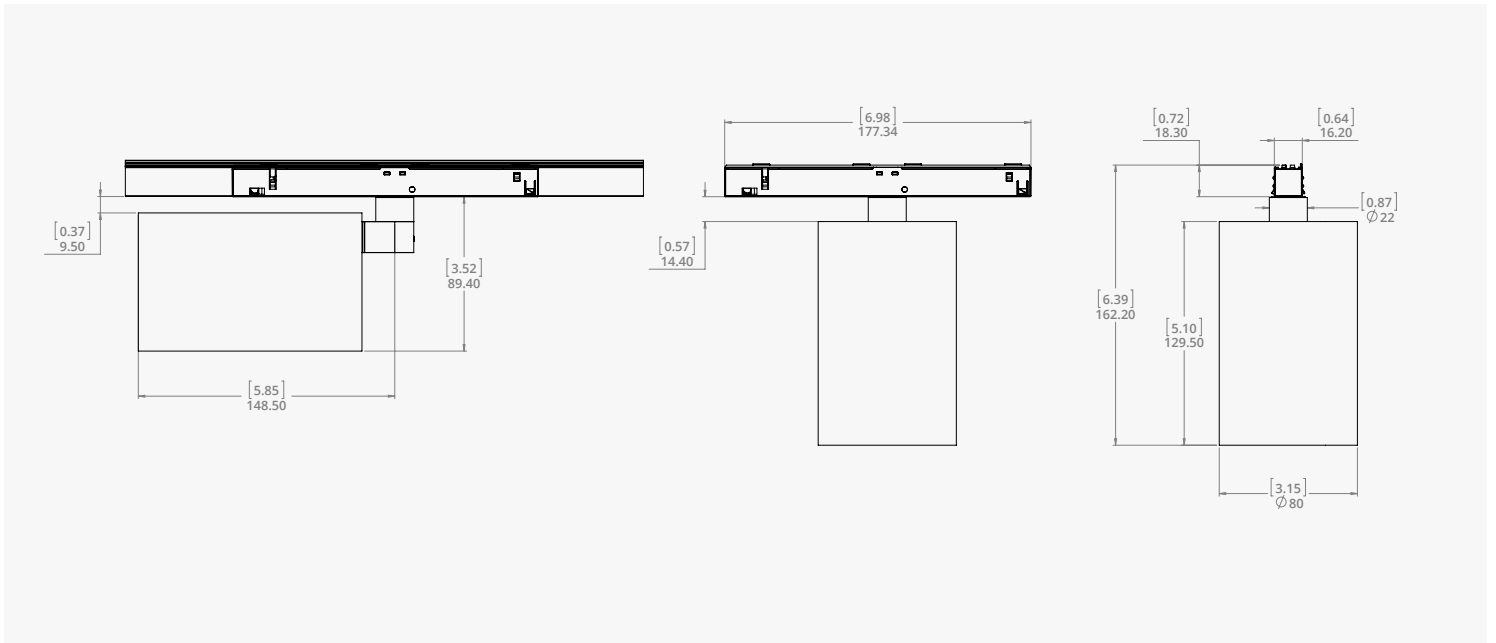
#### UK PART L

Part L1A / L1B (Dwellings)	●
Part L2A (General)	○
Part L2A (Display)	●

**CIBSE TM65** 28.023 Kg/CO2e

**CIBSE TM66** 2.4

## DIMENSIONS



## MECHANICAL

<b>Location</b>	IP20   Indoor Dry Location Only
<b>Mounting</b>	Surface plate with decorative cover
<b>Adjustability</b>	360° Lockable Pan   90° Tilt
<b>Material</b>	Aluminium 6063 or Brass H59
<b>Weight</b>	0.80 Kg [1.76 lbs] or 1.38 Kg [3.04 lbs]

## FINISHES





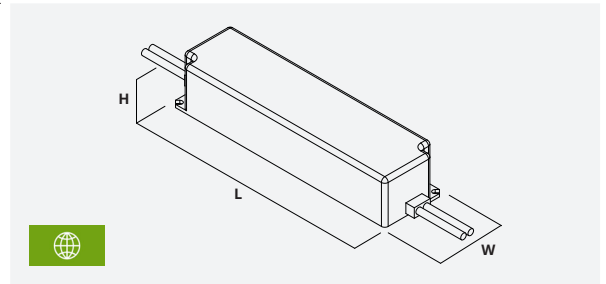
## TRACK 48V PSU SELECTION

### Remote | 100W

Input Voltage	230 VAC   50/60 Hz
Output Voltage	48 VDC
Driver Type	Remote   Constant Voltage
Location	IP20   Indoor Dry Location Only
Usage Region	International

tunable/**WHITE**

Compatibility	●
Max. Fixtures	3
Order Code	PSCV-100-48-N1-MW



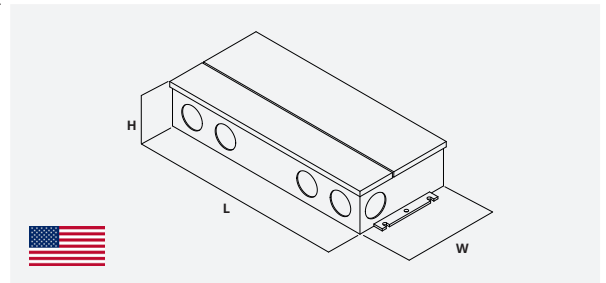
	L	W	H
mm	190	52	37
in	7.48	2.05	1.46

### Remote | 96W

Input Voltage	120 - 277 VDC
Output Voltage	48 VDC
Driver Type	Remote Enclosure   Constant Voltage
Location	IP20   Indoor Dry Location Only
Usage Region	North America Only

tunable/**WHITE**

Compatibility	●
Max. Fixtures	3
Order Code	USCV-96-48-N1-SC-EN

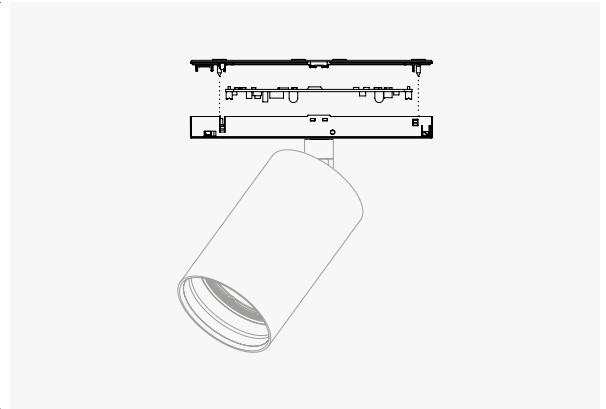


	L	W	H
mm	153	76.2	30.5
in	6.0	3.0	1.2

## FIXTURE | INTEGRATED DRIVER DATA

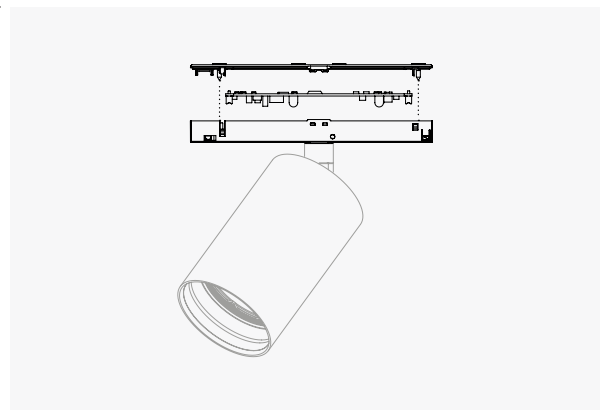
### Fixture Integrated | 32W | DALI DT6

<b>Input Voltage</b>	48 VDC
<b>Dimming Control</b>	DALI (Device Type 6)
<b>Min. Dim Level</b>	0.1%
<b>Flicker</b>	IEEE P1789 Compatible   No Observable Effect
<b>Driver Type</b>	Integral   Constant Voltage
<b>Location</b>	IP20   Indoor Dry Location Only
<b>Hotplug Protection</b>	Yes



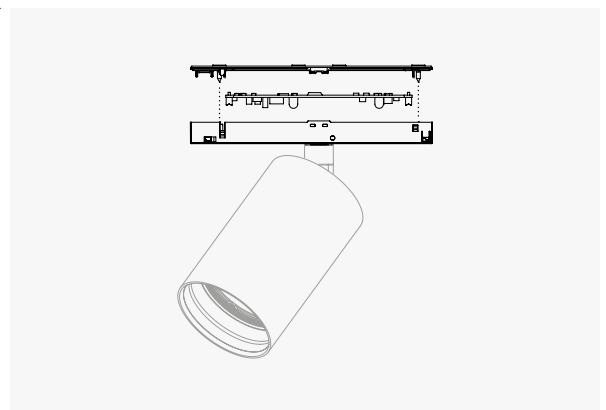
### Fixture Integrated | 32W | DALI DT8

<b>Input Voltage</b>	48 VDC
<b>Dimming Control</b>	DALI (Device Type 8)
<b>Min. Dim Level</b>	0.1%
<b>Flicker</b>	IEEE P1789 Compatible   No Observable Effect
<b>Driver Type</b>	Integral   Constant Voltage
<b>Location</b>	IP20   Indoor Dry Location Only
<b>Hotplug Protection</b>	Yes



### Fixture Integrated | 32W | Casambi

<b>Input Voltage</b>	48 VDC
<b>Dimming Control</b>	Casambi Bluetooth Mesh   App Required <a href="#">[7]</a>
<b>Min. Dim Level</b>	0.5%
<b>Flicker</b>	No Observable Effect
<b>Driver Type</b>	Integral   Constant Voltage
<b>Location</b>	IP20   Indoor Dry Location Only
<b>Hotplug Protection</b>	Yes



\* Integrated driver is non-removable | data provided for information only

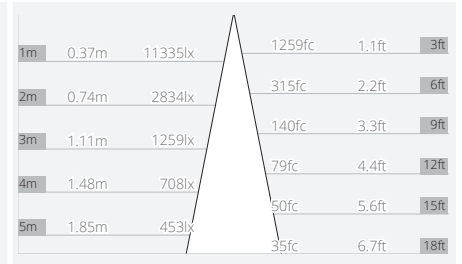
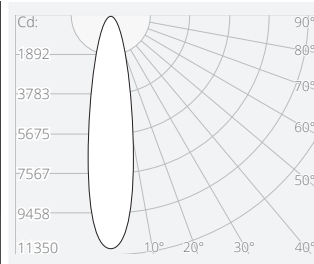


1800K / 3000K

## PHOTOMETRY DIAGRAMS

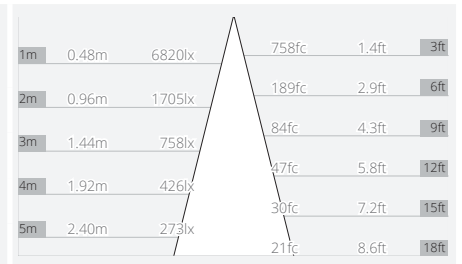
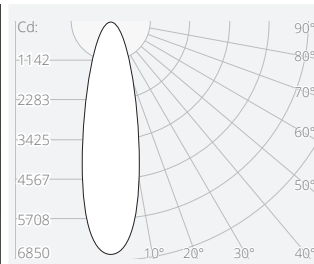
### Narrow | 20° Beam

FWHM	20°
Delivered Flux	1,554 lm
Peak Intensity	25,452 Cd
UGR	8.7 UGR



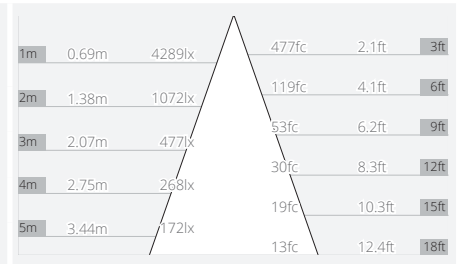
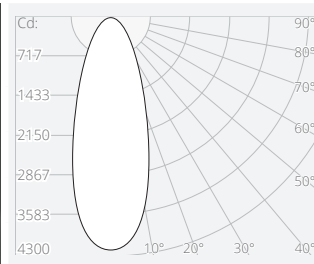
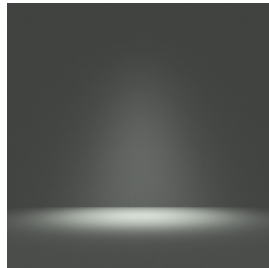
### Medium | 27° Beam

FWHM	27°
Delivered Flux	1,400 lm
Peak Intensity	14,047 Cd
UGR	11.5 UGR



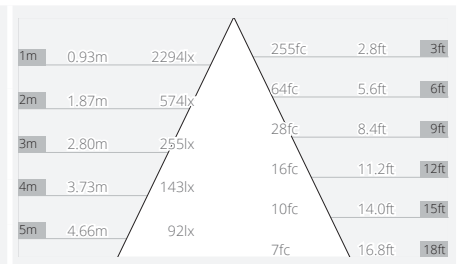
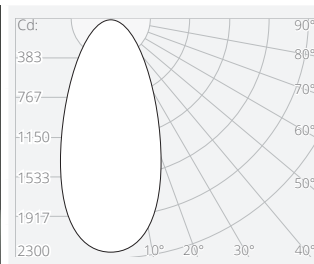
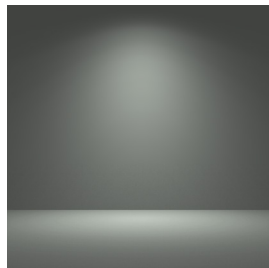
### Wide | 38° Beam

FWHM	38°
Delivered Flux	1,406 lm
Peak Intensity	6,230 Cd
UGR	12.1 UGR



### Very Wide | 57° Beam

FWHM	57°
Delivered Flux	1,471 lm
Peak Intensity	3,074 Cd
UGR	19.1 UGR



All diagrams and data as measured @ 3000K

## PERFORMANCE SCALING BY CCT

CCT	Output Multiplier	Colour Consistency
1800K	x0.57	5 SDCM
2000K	x0.71	↑ 3 SDCM
2400K	x0.96	
2700K	x0.99	
3000K	x1.00	

Digital photometric files available as .LDT format.

Contact your sales rep or visit [www.luminii.com](http://www.luminii.com) for more information.

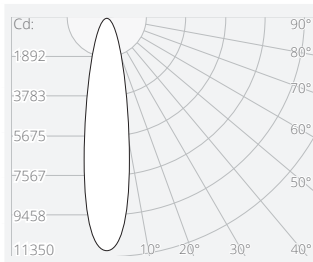


2700K / 5000K

## PHOTOMETRY DIAGRAMS

### Narrow | 21° Beam

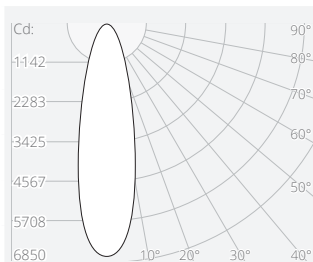
FWHM	21°
Delivered Flux	1,554 lm
Peak Intensity	25,452 Cd
UGR	9.2 UGR



Distance	Beam Diameter	Beam Area (lx)	Peak Intensity (fc)	Height (ft)	UGR
1m	0.37m	11335lx	1259fc	1.1ft	3ft
2m	0.74m	2834lx	315fc	2.2ft	6ft
3m	1.11m	1259lx	140fc	3.3ft	9ft
4m	1.48m	708lx	79fc	4.4ft	12ft
5m	1.85m	453lx	50fc	5.6ft	15ft
			35fc	6.7ft	18ft

### Medium | 28° Beam

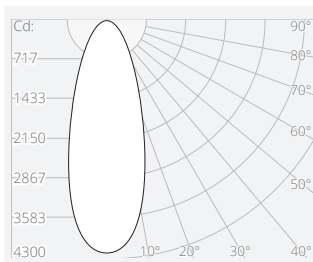
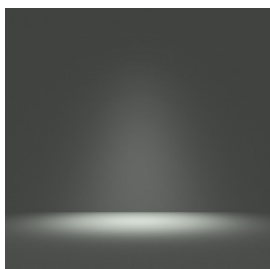
FWHM	28°
Delivered Flux	1,400 lm
Peak Intensity	14,047 Cd
UGR	12.7 UGR



Distance	Beam Diameter	Beam Area (lx)	Peak Intensity (fc)	Height (ft)	UGR
1m	0.48m	6820lx	758fc	1.4ft	3ft
2m	0.96m	1705lx	189fc	2.9ft	6ft
3m	1.44m	758lx	84fc	4.3ft	9ft
4m	1.92m	426lx	47fc	5.8ft	12ft
5m	2.40m	273lx	30fc	7.2ft	15ft
			21fc	8.6ft	18ft

### Wide | 38° Beam

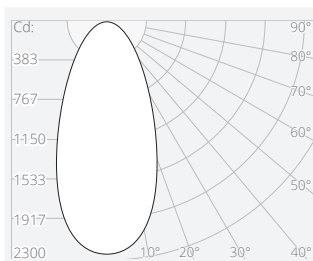
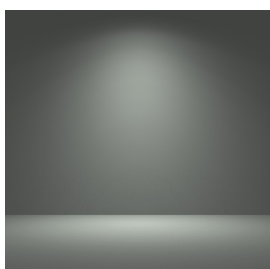
FWHM	38°
Delivered Flux	1,406 lm
Peak Intensity	6,230 Cd
UGR	12.9 UGR



Distance	Beam Diameter	Beam Area (lx)	Peak Intensity (fc)	Height (ft)	UGR
1m	0.69m	4289lx	477fc	2.1ft	3ft
2m	1.38m	1072lx	119fc	4.1ft	6ft
3m	2.07m	477lx	53fc	6.2ft	9ft
4m	2.75m	268lx	30fc	8.3ft	12ft
5m	3.44m	172lx	19fc	10.3ft	15ft
			13fc	12.4ft	18ft

### Very Wide | 57° Beam

FWHM	57°
Delivered Flux	1,471 lm
Peak Intensity	3,074 Cd
UGR	20 UGR



Distance	Beam Diameter	Beam Area (lx)	Peak Intensity (fc)	Height (ft)	UGR
1m	0.93m	2294lx	255fc	2.8ft	3ft
2m	1.87m	574lx	64fc	5.6ft	6ft
3m	2.80m	255lx	28fc	8.4ft	9ft
4m	3.73m	143lx	16fc	11.2ft	12ft
5m	4.66m	92lx	10fc	14.0ft	15ft
			7fc	16.8ft	18ft

All diagrams and data as measured @ 3000K

## PERFORMANCE SCALING BY CCT

CCT	Output Multiplier	Colour Consistency
2700K	x0.87	3 SDCM
3000K	x1.00	↑ 3 SDCM
3500K	x1.04	
4000K	x1.09	
4500K	x1.11	
5000K	x1.10	

Digital photometric files available as .LDT format.

Contact your sales rep or visit [www.luminii.com](http://www.luminii.com) for more information.

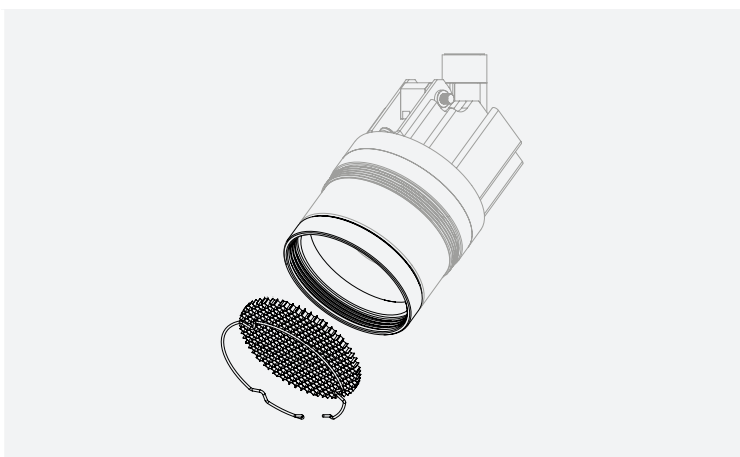


## PRODUCT ANATOMY



- 1 High Output COB Light Engine with Tunable White technology
- 2 Interchangeable Colour Mixing TIR Optic
- 3 Integral Double Accessory Holder
- 4 Range of Optical Accessories
- 5 Accessory Retention Clip

## INTEGRATED ACCESSORY HOLDERS



### Double Accessory Holder

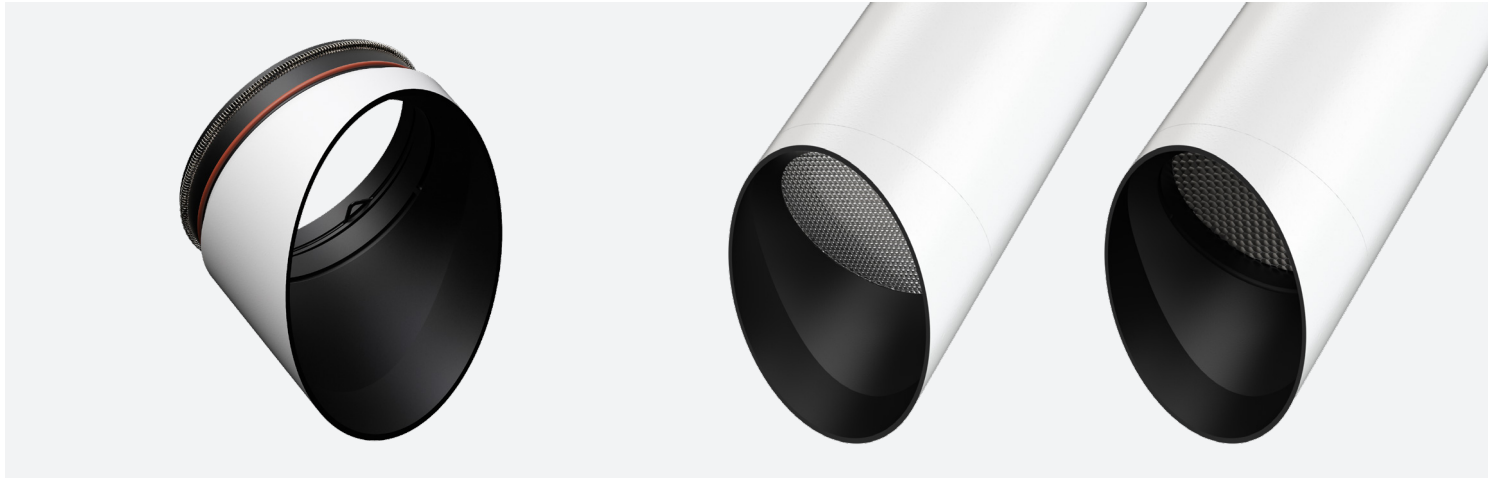
Built-in to Solo 20 Tunable White

Accessory Dia.  $\varnothing 68\text{mm}$  |  $\varnothing 2.68''$

Capacity 5.0mm | 0.2" Max Thickness



## GLARE GUARD ACCESSORY HOLDER

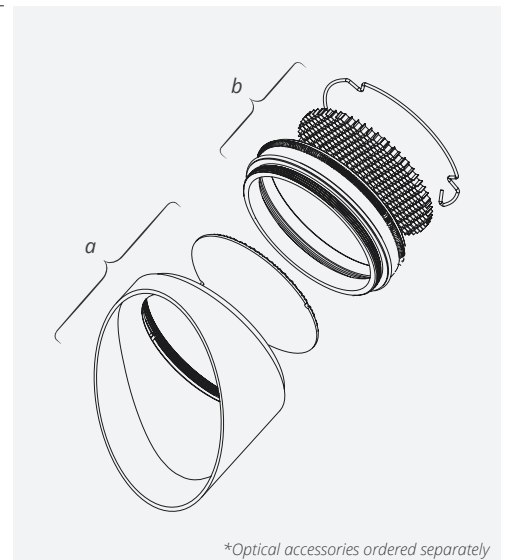


The Glare Guard Accessory Holder is an angled, snap-in snoot extension capable of holding a range of optical accessories, including honeycombs, gels, and beam shaping optics such as Wallwash and Linear Spread Lenses. The holder comprises of two halves, a front compartment and a rear compartment. The rear compartment is capable of holding a single accessory, whilst the front compartment is used to hold orientation dependent beam shaping optics such as the Wallwash and Linear Spread lens.

	a. Front Compartment	b. Rear Compartment
Accessory Diameter	Ø66 mm   2.60"	Ø68 mm   2.67"
Capacity	1.2mm   0.05" Max. Thickness	3.2mm   0.125" Max. Thickness
Orientation Indexing	Yes - Alignment Notches	No
Weight	Aluminium: 114g   Brass: 287g	

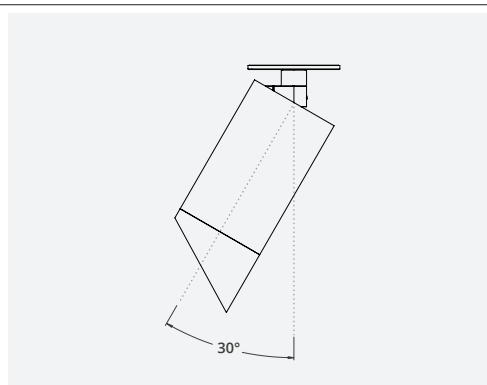
### Ordering Codes\*

	Black	1120-GLR-01-BK		Polished Brass	1120-GLR-02-PB
	Traffic White	1120-GLR-01-TW		Brushed Brass	1120-GLR-02-SB
	Brushed Aluminium	1120-GLR-01-AL		Rubbed Bronze	1120-GLR-02-RB



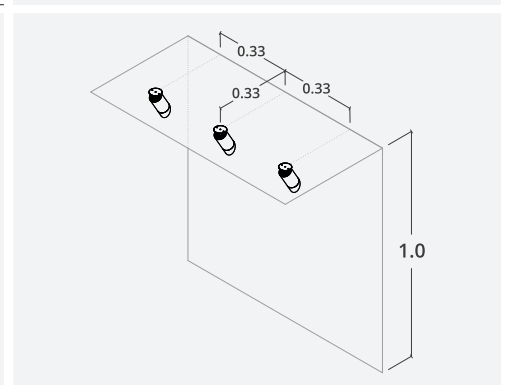
### Orientation Indexing

For optical accessories that require a specific orientation, use their alignment notches to position them correctly within the Glare Guard Accessory Holder.



### Wallwash Fixture Angle

For optimum performance, the fixture should be angled at approx. 30° from the vertical plane.



### Wallwash Positioning and Pitch

Wallwash fixtures should be positioned one-third of the ceiling height away from the wall and spaced apart by the same distance.



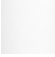



## SNOOT ACCESSORY HOLDER



The Snoot Accessory Holder (sold separately) enhances the Solo 20's optical accessory capacity while adding decorative trim in a variety of complementary finishes. Its snap-in, snap-out mechanism is completely tool-free, making on-site adjustments simple and ensuring the holder fits flush with the snoot's front edge.

<b>Accessory Diameter</b>	Ø68 mm   2.67"
<b>Capacity</b>	3.2mm   0.125" Max. Thickness
<b>Orientation Index</b>	No
<b>Weight</b>	Aluminum 31g   Brass 91g





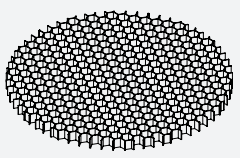
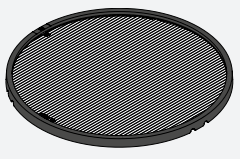
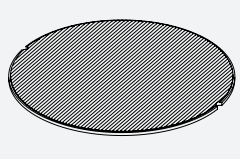
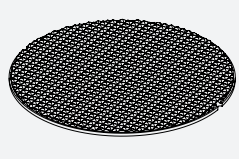
### Ordering Codes\*

 <b>Black</b>	1120-HOL-01-BK	 <b>Polished Brass</b>	1120-HOL-02-PB
 <b>Traffic White</b>	1120-HOL-01-TW	 <b>Brushed Brass</b>	1120-HOL-02-SB
 <b>Brushed Aluminium</b>	1120-HOL-01-AL	 <b>Rubbed Bronze</b>	1120-HOL-02-RB



\*Optical accessories ordered separately

## OPTICAL ACCESSORIES

SPARE OPTICS				
	<b>Narrow TIR Optic</b> For Solo 20 Tunable White HKRG-68-15-PC	<b>Medium TIR Optic</b> For Solo 20 Tunable White HKRG-68-24-PC	<b>Wide TIR Optic</b> For Solo 20 Tunable White HKRG-68-36-PC	<b>Very Wide TIR Optic</b> For Solo 20 Tunable White HKRG-68-50-PC
GLARE CONTROL				
<b>Ø68 Honeycomb Louvre</b> Ø68 x 3.2mm   Ø2.67 x 0.125" Fits all accessory holders 995-68-BK				
BEAM MODIFIERS				
	<b>Ø68 Linear Spread Lens</b> Ø68 x 3.0mm   Ø2.67 x 0.12" Fits all accessory holders HKFD-68-LIN	<b>Ø66 Linear Spread Lens</b> Ø66 x 1.2mm   Ø2.60 x 0.05" For Glare Guard Accessory only HKFD-68-LIN-1	<b>Ø66 Wallwash Lens</b> Ø66 x 1.2mm   Ø2.60 x 0.05" For Glare Guard Accessory only HKFD-68-WAS-1	