

OVERVIEW

Solo 20 is our most powerful spotlight to date, with static white configurations offering delivered outputs exceeding 3,000 lumens of high-quality light. Our light engines are meticulously engineered for specific needs: the 'Plus' engine achieves outstanding colour rendition with a typical CRI of 98 and R9 values above 90, and the 'HE' (High Efficiency) engine maximizes both output and energy efficiency, making it ideal for meeting stringent regulations such as Part L.

KEY FEATURES

- Specification grade spotlight with minimal design aesthetic
- Concealed hinge allows full 360° locking pan, and 90° Tilt
- 2 Static White light engines to choose between
- Options for ultra high colour quality and efficacy
- Customisable with a range of optical accessories and holders
- Adapted for use with Stucchi Multisystem Evo 48V track

PERFORMANCE SUMMARY

	plus ⁺				HE			
	Narrow	Medium	Wide	V. Wide	Narrow	Medium	Wide	V. Wide
FWHM	14°	22°	35°	49°	21°	28°	41°	51°
Luminous Flux*	1,991 lm	1,845 lm	2,036 lm	1,948 lm	3,108 lm	3,052 lm	3,133 lm	3,076 lm
Peak Intensity	25,452 Cd	14,047 Cd	6,230 Cd	3,074 Cd	20,114 Cd	14,023 Cd	7,224 Cd	4,366 Cd
CCT	2400K 2700K 3000K 4000K				2400K 2700K 3000K 4000K			
CRI Min.	CRI 90 CRI 95 CRI 95 CRI 95				CRI 90 CRI 90 CRI 90 CRI 90			
Drive Current	700 mA				800 mA			
Nom. Voltage	36V				36V			
Max. Wattage	24.8 W				26.9 W			
Max. Efficacy	82.2 lm/W)				116.8 lm/W			
Driver Type	Constant Current Integral				Constant Current Integral			
Class	SELV Class III				SELV Class III			

* Luminous Flux @ 3000K as delivered

ORDERING CODES

Luminaire:

Base Code	Engine	Track Adapter	Fixture Finish	CCT	CRI	Beam Angle	Driver*
1122		-					
	C Plus	B Black	A Brushed Aluminium	24 2400K**	90 CRI 90 Min.*	NA Narrow	A 0-10V
	X HE	T Traffic White	B Black	27 2700K	95 CRI 95 Min.	ME Medium**	D DALI
			T Traffic White	30 3000K		WD Wide	C Casambi
			R Rubbed Bronze	40 4000K		VW Very Wide*	
			P Polished Brass				
			S Brushed Brass				

* LED Driver integral to track adapter
48V PSU required to energise track system - see page 5

LIGHT ENGINE SELECTION

Select from two consciously engineered Static White light engines to best suit your project or application needs:

plus+

Precision's 'Plus' light engines offer the best balance between delivered lumens, beam quality and outstanding colour rendition.

- + Increased Lumen Output
- + CRI 98 Typical

HE

Precision's 'High Efficiency' light engines deliver the highest possible lumen values as well as outstanding energy efficiency.

- + Maximum Lumen Output
- + Maximum Energy Efficiency

LIFETIME + ENVIRONMENTAL

At Precision, we design and engineer our products with longevity in mind. Many of the components that make up our light fixtures are both modular, and re-usable, making it possible to service and repair them throughout their life in service. Once our products reach the end of their useful life, it is possible to re-work and renew them in to a new product. We prioritise the use of recyclable materials in both our products and packaging, and encourage our customers to engage responsibly in the correct disposal of any materials we supply.

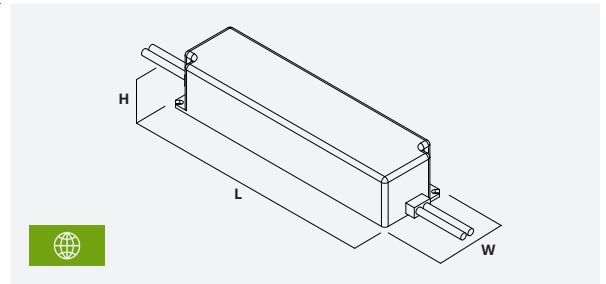
	plus+	HE
UK PART L		
Part L1A / L1B (Dwellings)	●	●
Part L2A (General)	○	●
Part L2A (Display)	●	●
CIBSE TM65	28.023 Kg/CO2e	
CIBSE TM66	2.4	

TRACK 48V PSU SELECTION

Remote | 100W

Input Voltage	230 VAC 50/60 Hz
Output Voltage	48 VDC
Driver Type	Remote Constant Voltage
Location	IP20 Indoor Dry Location Only
Usage Region	International

	plus+	HE
Compatability	●	●
Max. Fixtures	4	3
Order Code	PSCV-100-48-N1-MW	PSCV-100-48-N1-MW

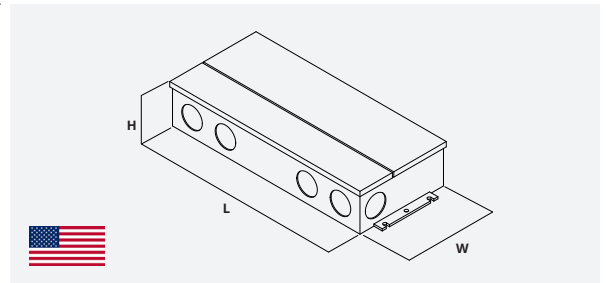


		L	W	H
mm		190	52	37
in		7.48	2.05	1.46

Remote | 96W

Input Voltage	120 - 277 VDC
Output Voltage	48 VDC
Driver Type	Remote Enclosure Constant Voltage
Location	IP20 Indoor Dry Location Only
Usage Region	North America Only

	plus+	HE
Compatability	●	●
Max. Fixtures	3	3
Order Code	USCV-96-48-N1-SC-EN	PSCV-100-48-N1-MW

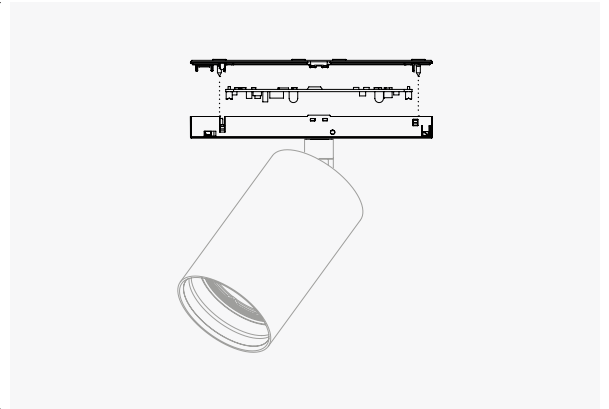


		L	W	H
mm		153	76.2	30.5
in		6.0	3.0	1.2

FIXTURE | INTEGRATED DRIVER DATA

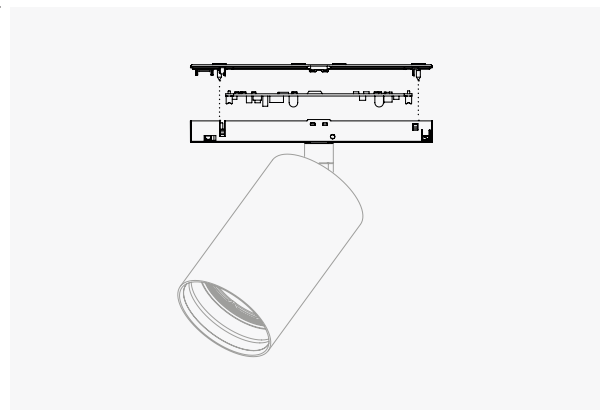
Fixture Integrated | 32W | 0-10V

Input Voltage	48 VDC
Dimming Control	0-10V
Min. Dim Level	0.1%
Flicker	No Observable Effect
Driver Type	Integral Constant Voltage
Location	IP20 Indoor Dry Location Only
Hotplug Protection	Yes



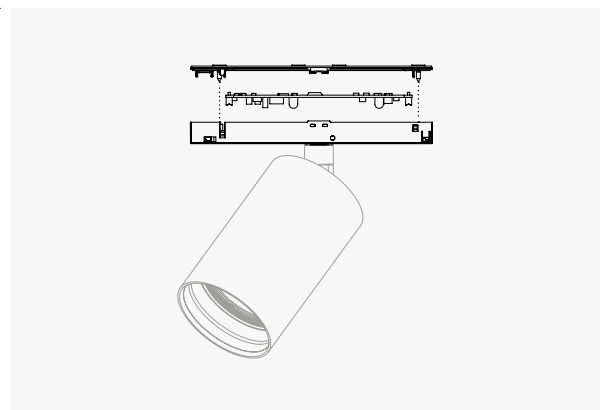
Fixture Integrated | 32W | DALI

Input Voltage	48 VDC
Dimming Control	DALI
Min. Dim Level	0.1%
Flicker	IEEE P1789 Compatible No Observable Effect
Driver Type	Integral Constant Voltage
Location	IP20 Indoor Dry Location Only
Hotplug Protection	Yes



Fixture Integrated | 32W | Casambi

Input Voltage	48 VDC
Dimming Control	Casambi Bluetooth Mesh App Required [7]
Min. Dim Level	0.5%
Flicker	No Observable Effect
Driver Type	Integral Constant Voltage
Location	IP20 Indoor Dry Location Only
Hotplug Protection	Yes



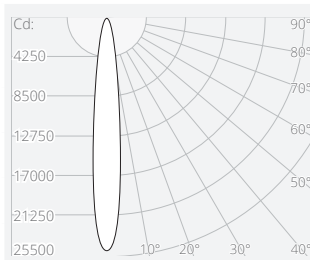
* Integrated driver is non-removable | data provided for information only

plus+

PHOTOMETRY DIAGRAMS

Narrow | 14° Beam

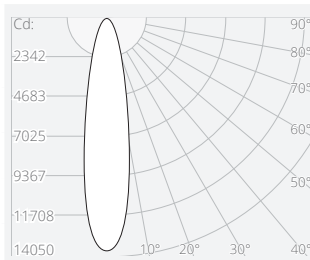
FWHM	14°
Delivered Flux	1,991 lm
Peak Intensity	25,452 Cd
UGR	UGR 4.2



1m	0.25m	25452lx	2828fc	0.7ft	3ft
2m	0.49m	6363lx	707fc	1.5ft	6ft
3m	0.74m	2828lx	314fc	2.2ft	9ft
4m	0.98m	1591lx	177fc	2.9ft	12ft
5m	1.23m	1018lx	113fc	3.7ft	15ft
			79fc	4.4ft	18ft

Medium | 22° Beam

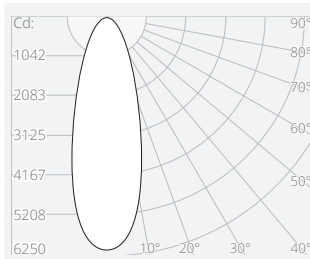
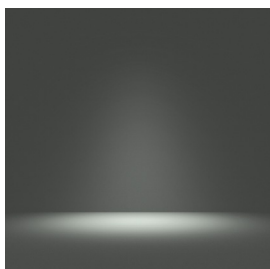
FWHM	22°
Delivered Flux	1,845 lm
Peak Intensity	14,047 Cd
UGR	UGR 1.6



1m	0.39m	14047lx	1561fc	1.2ft	3ft
2m	0.78m	3512lx	390fc	2.3ft	6ft
3m	1.17m	1561lx	173fc	3.5ft	9ft
4m	1.56m	878lx	98fc	4.7ft	12ft
5m	1.94m	562lx	62fc	5.8ft	15ft
			43fc	7.0ft	18ft

Wide | 35° Beam

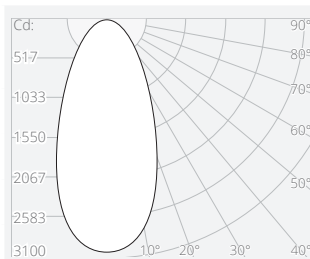
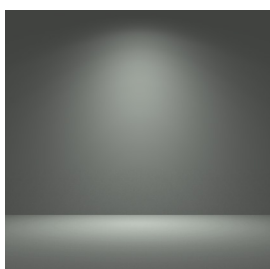
FWHM	35°
Delivered Flux	2,036 lm
Peak Intensity	6,230 Cd
UGR	UGR 3.8



1m	0.63m	6230lx	692fc	1.9ft	3ft
2m	1.26m	1558lx	173fc	3.8ft	6ft
3m	1.89m	692lx	77fc	5.7ft	9ft
4m	2.52m	389lx	43fc	7.6ft	12ft
5m	3.15m	249lx	28fc	9.5ft	15ft
			19fc	11.4ft	18ft

Very Wide | 49° Beam

FWHM	49°
Delivered Flux	1,948 lm
Peak Intensity	3,074 Cd
UGR	UGR 16.2



1m	0.91m	3074lx	342fc	2.7ft	3ft
2m	1.82m	769lx	85fc	5.5ft	6ft
3m	2.73m	342lx	38fc	8.2ft	9ft
4m	3.65m	192lx	21fc	10.9ft	12ft
5m	4.56m	123lx	14fc	13.7ft	15ft
			9fc	16.4ft	18ft

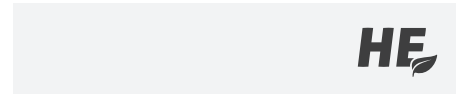
All diagrams and data as measured @ 3000K

PERFORMANCE SCALING BY CCT

CCT	Output Multiplier	CRI Min.	R9	TM-30: Rf	TM-30: Rg	Max Lm
2400K	x1.05	CRI 90	61	-	-	2,137 lm
2700K	x0.94	CRI 95	91	-	-	1,913 lm
3000K	x1.00	CRI 95	91	-	-	2,036 lm
4000K	x1.10	CRI 95	91	-	-	2,239 lm

Digital photometric files available as .LDT format.
Contact your sales rep or visit www.luminii.com for more information.

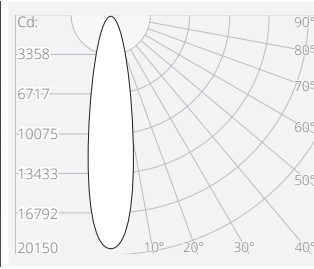




PHOTOMETRY DIAGRAMS

Narrow | 21° Beam

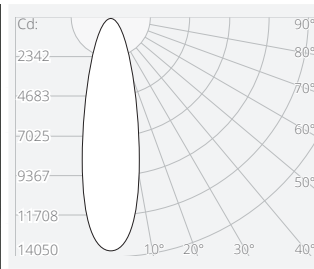
FWHM	21°
Delivered Flux	3,108 lm
Peak Intensity	20,114 Cd
UGR	UGR 7.6



1m	0.37m	20114lx	2235fc	1.1ft	3ft
2m	0.74m	5029lx	559fc	2.2ft	6ft
3m	1.11m	2235lx	248fc	3.3ft	9ft
4m	1.48m	1257lx	140fc	4.4ft	12ft
5m	1.85m	805lx	89fc	5.6ft	15ft
			62fc	6.7ft	18ft

Medium | 28° Beam

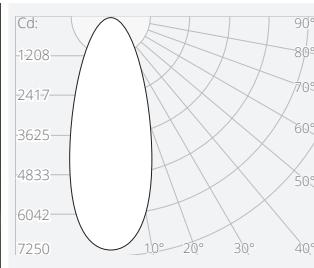
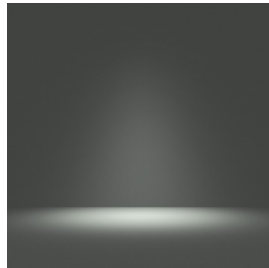
FWHM	28°
Delivered Flux	3,052 lm
Peak Intensity	14,023 Cd
UGR	UGR 5.9



1m	0.50m	14023lx	1558fc	1.5ft	3ft
2m	1.00m	3506lx	390fc	3.0ft	6ft
3m	1.50m	1558lx	173fc	4.5ft	9ft
4m	1.99m	876lx	97fc	6.0ft	12ft
5m	2.49m	561lx	62fc	7.5ft	15ft
			43fc	9.0ft	18ft

Wide | 41° Beam

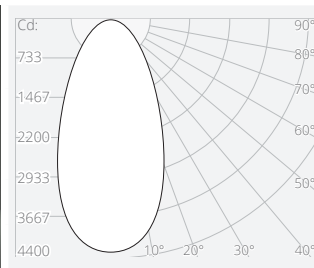
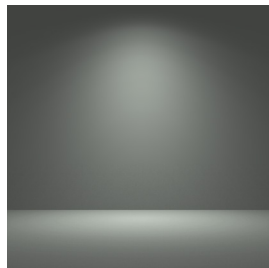
FWHM	41°
Delivered Flux	3,133 lm
Peak Intensity	7,224 Cd
UGR	UGR 7.4



1m	0.75m	7224lx	803fc	2.2ft	3ft
2m	1.50m	1806lx	201fc	4.5ft	6ft
3m	2.24m	803lx	89fc	6.7ft	9ft
4m	2.99m	452lx	50fc	9.0ft	12ft
5m	3.74m	289lx	32fc	11.2ft	15ft
			22fc	13.5ft	18ft

Very Wide | 51° Beam

FWHM	51°
Delivered Flux	3,076 lm
Peak Intensity	4,366 Cd
UGR	UGR 18.9



1m	0.95m	4366lx	485fc	2.9ft	3ft
2m	1.91m	1092lx	121fc	5.7ft	6ft
3m	2.86m	485lx	54fc	8.6ft	9ft
4m	3.82m	273lx	30fc	11.4ft	12ft
5m	4.77m	175lx	19fc	14.3ft	15ft
			13fc	17.2ft	18ft

All diagrams and data as measured @ 3000K

PERFORMANCE SCALING BY CCT

CCT	Output Multiplier	CRI Min.	R9	TM-30: Rf	TM-30: Rg	Max Lm
2400K	x0.89	CRI 90	61	-	-	2,788 lm
2700K	x0.96	CRI 90	61	-	-	3,007 lm
3000K	x1.00	CRI 90	61	-	-	3,133 lm
4000K	x1.05	CRI 90	61	-	-	3,289 lm

Digital photometric files available as .LDT format.
Contact your sales rep or visit www.luminii.com for more information.



PRODUCT ANATOMY



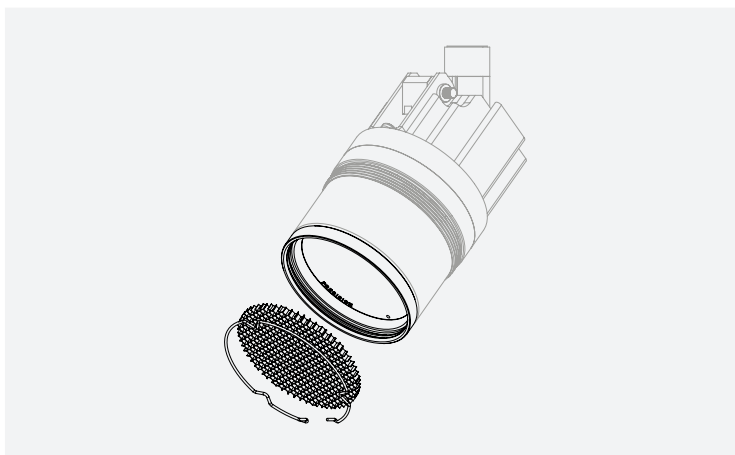
- 1 High Intensity Single-Source LED
- 2 Permanently Installed Base Optic
- 3 Interchangeable Ø66mm MICROLENS Optic
- 4 Integral Single Accessory Holder
- 5 Range of Optical Accessories
- 6 Accessory Retention Clip



- 1 High Output COB Light Engine
- 2 Interchangeable TIR Optic
- 3 Integral Double Accessory Holder
- 4 Range of Optical Accessories
- 5 Accessory Retention Clip

**Optical accessories ordered separately*

INTEGRATED ACCESSORY HOLDERS

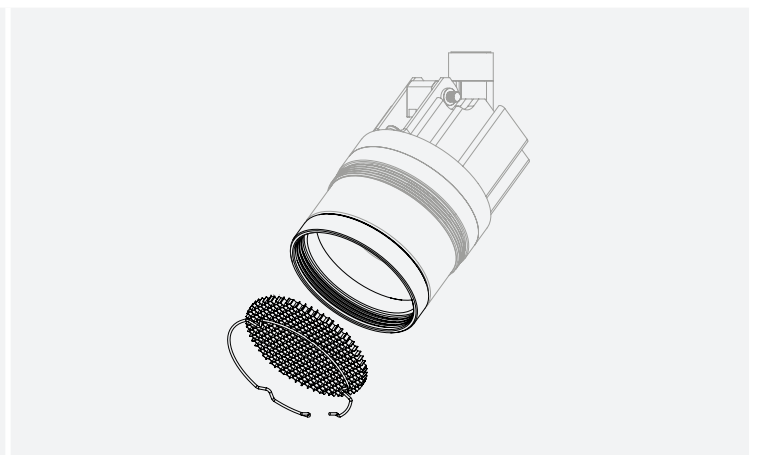


Single Accessory Holder

Built-in to Solo 20 Intense only

Accessory Dia. Ø68mm | Ø2.68"

Capacity 3.2mm | 0.125" Max. Thickness



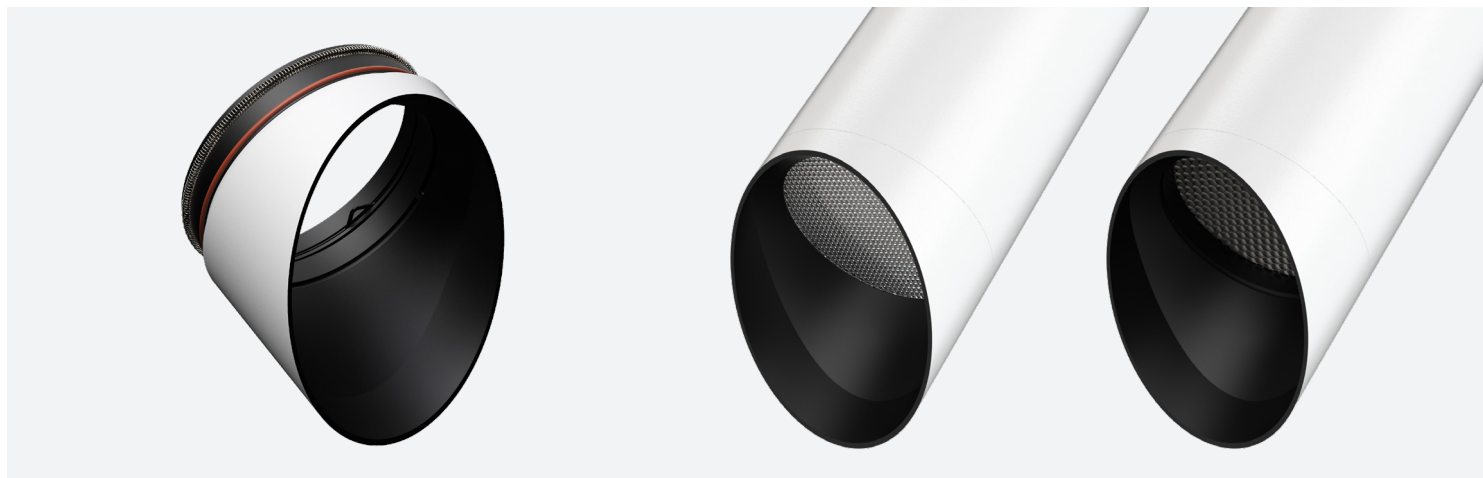
Double Accessory Holder

Built-in to Solo 20 Plus & HE only

Accessory Dia. Ø68mm | Ø2.68"

Capacity 5.0mm | 0.2" Max Thickness






GLARE GUARD ACCESSORY HOLDER

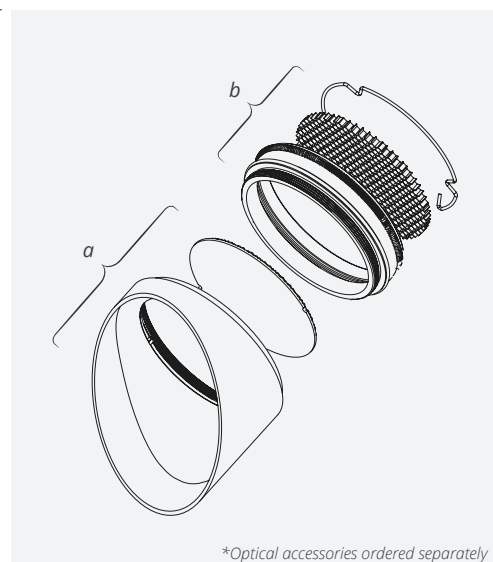


The Glare Guard Accessory Holder is an angled, snap-in snoot extension capable of holding a range of optical accessories, including honeycombs, gels, and beam shaping optics such as Wallwash and Linear Spread Lenses. The holder comprises of two halves, a front compartment and a rear compartment. The rear compartment is capable of holding a single accessory, whilst the front compartment is used to hold orientation dependent beam shaping optics such as the Wallwash and Linear Spread lens.

	a. Front Compartment	b. Rear Compartment
Accessory Diameter	Ø66 mm 2.60"	Ø68 mm 2.67"
Capacity	1.2mm 0.05" Max. Thickness	3.2mm 0.125" Max. Thickness
Orientation Indexing	Yes - Alignment Notches	No
Weight	Aluminium: 114g Brass: 287g	

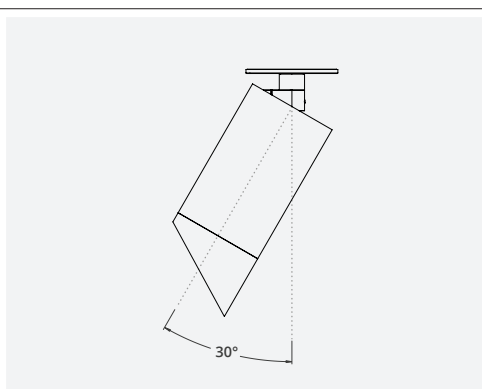
Ordering Codes*

	Black	1120-GLR-01-BK		Polished Brass	1120-GLR-02-PB
	Traffic White	1120-GLR-01-TW		Brushed Brass	1120-GLR-02-SB
	Brushed Aluminium	1120-GLR-01-AL		Rubbed Bronze	1120-GLR-02-RB



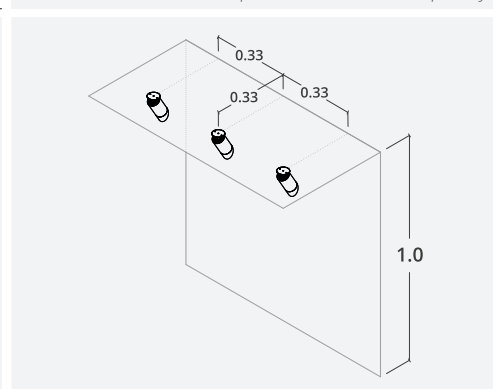
Orientation Indexing

For optical accessories that require a specific orientation, use their alignment notches to position them correctly within the Glare Guard Accessory Holder.



Wallwash Fixture Angle

For optimum performance, the fixture should be angled at approx. 30° from the vertical plane.



Wallwash Positioning and Pitch

Wallwash fixtures should be positioned one-third of the ceiling height away from the wall and spaced apart by the same distance.



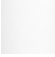



SNOOT ACCESSORY HOLDER



The Snoot Accessory Holder (sold separately) enhances the Solo 20's optical accessory capacity while adding decorative trim in a variety of complementary finishes. Its snap-in, snap-out mechanism is completely tool-free, making on-site adjustments simple and ensuring the holder fits flush with the snoot's front edge.

Accessory Diameter	Ø68 mm 2.67"
Capacity	3.2mm 0.125" Max. Thickness
Orientation Index	No
Weight	Aluminum 31g Brass 91g





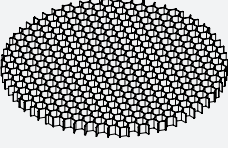
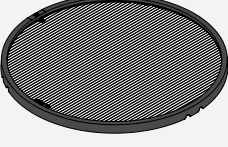
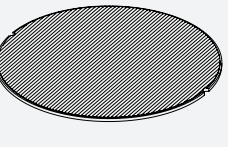
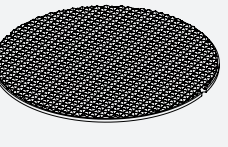



Ordering Codes*

 Black	1120-HOL-01-BK	 Polished Brass	1120-HOL-02-PB
 Traffic White	1120-HOL-01-TW	 Brushed Brass	1120-HOL-02-SB
 Brushed Aluminium	1120-HOL-01-AL	 Rubbed Bronze	1120-HOL-02-RB



*Optical accessories ordered separately

OPTICAL ACCESSORIES

<p>SPARE OPTICS</p>	 <p>Narrow TIR Optic For Solo 20 Plus & HE Only HKHG-68-15-PMMA</p>	 <p>Medium TIR Optic For Solo 20 Plus & HE Only HKHG-68-24-PMMA</p>	 <p>Wide TIR Optic For Solo 20 Plus & HE Only HKHG-68-36-PMMA</p>	 <p>Very Wide TIR Optic For Solo 20 Plus & HE Only HKHG-68-50-PMMA</p>
<p>GLARE CONTROL</p>	 <p>Ø68 Honeycomb Louvre Ø68 x 3.2mm Ø2.67 x 0.125" Fits all accessory holders 995-68-BK</p>			
<p>BEAM MODIFIERS</p>	 <p>Ø68 Linear Spread Lens Ø68 x 3.0mm Ø2.67 x 0.12" Fits all accessory holders HKFD-68-LIN</p>	 <p>Ø66 Linear Spread Lens Ø66 x 1.2mm Ø2.60 x 0.05" <i>For Glare Guard Accessory only</i> HKFD-68-LIN-1</p>	 <p>Ø66 Wallwash Lens Ø66 x 1.2mm Ø2.60 x 0.05" <i>For Glare Guard Accessory only</i> HKFD-68-WAS-1</p>	
<p>COLOUR MODIFIERS</p>	 <p>Ø68 1/4 CTO Filter Ø68 x 1.75mm Ø2.67 x 0.07" Fits all accessory holders Contact Sales Rep</p>	 <p>Ø68 1/2 CTO Filter Ø68 x 1.75mm Ø2.67 x 0.07" Fits all accessory holders Contact Sales Rep</p>	 <p>Ø68 Custom Colour Filter Ø68 x 1.75mm Ø2.67 x 0.07" Fits all accessory holders Contact Sales Rep</p>	