

OVERVIEW

Solo 20 Tunable White delivers ultimate flexibility in lighting design, offering control over colour temperature independently of brightness to suit a wide range of applications. Two distinct colour ranges are available: a super-warm to neutral option (1,800K to 3,000K), ideal for hospitality and residential settings, and a warm to cool option (2,700K to 5,000K), designed for tonal adjustments for artworks or human-centric lighting applications.

KEY FEATURES

- Tunable White light engine available in 2 CCT ranges
- Concealed hinge allows full 360° locking pan and 90° Tilt
- High output single source light engine
- Customisable with a range of optical accessories and holders
- Decorative surface mount plate with concealed screws

PERFORMANCE SUMMARY

	1800 - 3000K				2700 - 5000K			
	Narrow	Medium	Wide	V. Wide	Narrow	Medium	Wide	V. Wide
FWHM	20°	27°	38°	57°	21°	28°	38°	57°
Luminous Flux*	1,554 lm	1,400 lm	1,406 lm	1,471 lm	1,820 lm	1,682 lm	1,568 lm	1,768 lm
Peak Intensity	25,452 Cd	14,047 Cd	6,230 Cd	3,074 Cd	10,971 Cd	6,418 Cd	3,942 Cd	2,157 Cd
CCT Tuning Range	1800 - 3000K				2700 - 5000K			
CRI Min.	Ra 90 (R9 75)				Ra 90 (R9 75)			
Typ. Current	605 mA				700 mA			
Nom. Voltage	36V				36V			
Max. Wattage	26.0 W				26.3 W			
Max. Efficacy	75.1 lm/W				74.6 lm/W			
Driver Type	Constant Current Remote				Constant Current Remote			
Class	SELV Class III				SELV Class III			

* Luminous Flux @ 3000K as delivered

ORDERING CODES

Luminaire:	Base Code	Engine	Finish	CCT & CRI	Beam Angle
	1121	T Tunable White	AL Brushed Aluminium BK Black TW Traffic White RB Rubbed Bronze PB Polished Brass SB Brushed Brass	T01 1800 - 3000K CRI 90 Min. T02 2700 - 5000K CRI 90 Min.	NA Narrow ME Medium WD Wide VW Very Wide

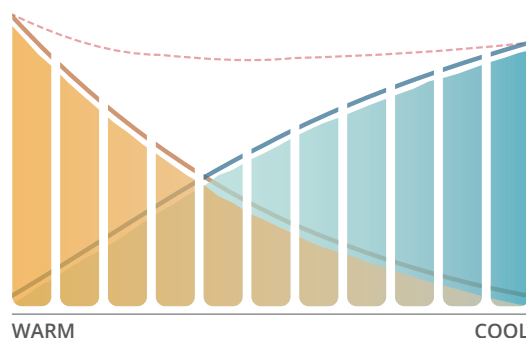
Driver:

Region Code	Type	Fixture Code	Driver*
PSCC 240V ROW	RM Remote	1120T Solo 20 Tunable White	02D DALI DT6 50W 02E DALI DT8 50W 02C Casambi 50W

* See Driver Selection Sheet for more details

TUNABLE WHITE TECHNOLOGY

Precision's Tunable White technology allows users to adjust the correlated colour temperature (CCT) of their fixture on demand, with options for analogue, digital, or wireless control. Two tuning ranges are available to suit a range of applications. Ultra-warm 1800K to 3000K is perfectly suited to mood-setting in residential and hospitality applications. Alternatively, 2700K to 5000K allows tuning between warm and cool light to support human-centric applications, or tonal adjustments when lighting artworks. By default, our tunable white fixtures are biased towards maximising the total lumen output across the tuning range, but it is possible to configure the fixture to maintain light output instead. Speak to your sales rep for more details.



LIFETIME + ENVIRONMENTAL

At Precision, we design and engineer our products with longevity in mind. Many of the components that make up our light fixtures are both modular, and re-usable, making it possible to service and repair them throughout their life in service. Once our products reach the end of their useful life, it is possible to re-work and renew them in to a new product. We prioritise the use of recyclable materials in both our products and packaging, and encourage our customers to engage responsibly in the correct disposal of any materials we supply.

tunable/**WHITE**

UK PART L

Part L1A / L1B (Dwellings)



Part L2A (General)



Part L2A (Display)



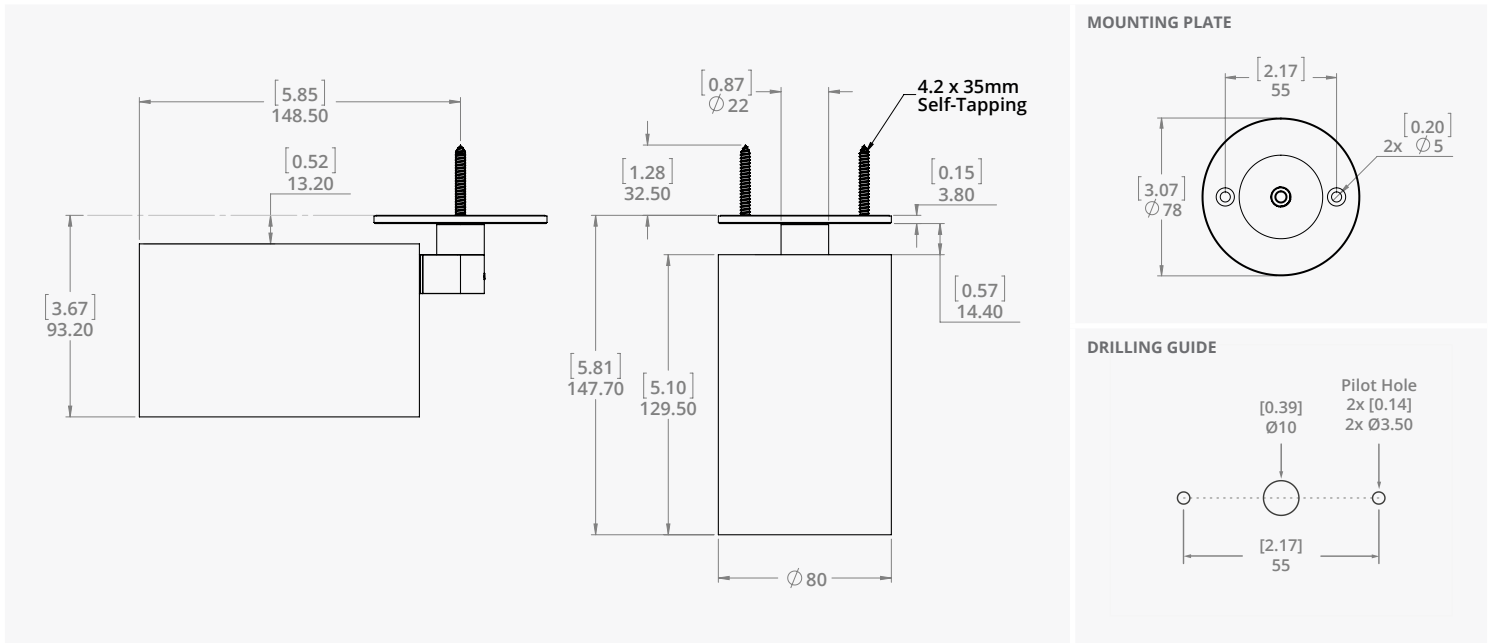
CIBSE TM65

28.023 Kg/CO2e

CIBSE TM66

2.4

DIMENSIONS



MECHANICAL

Location	IP20 Indoor Dry Location Only
Mounting	Surface plate with decorative cover
Adjustability	360° Lockable Pan 90° Tilt
Material	Aluminium 6063 or Brass H59
Weight	0.80 Kg [1.76 lbs] or 1.38 Kg [3.04 lbs]

FINISHES

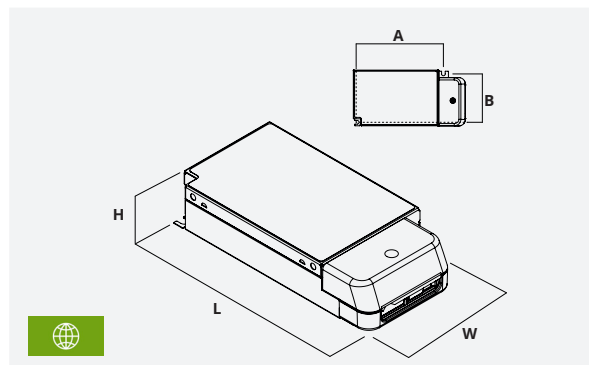


DRIVER SELECTION | 230V REGIONS

Remote | 50W | DALI DT6

Input Voltage	230 VAC 50/60 Hz
Driver Type	Constant Current Remote
Location	IP20 Indoor Dry Location Only
Dimming Control	DALI (Device Type 6)
Min. Dim Level	0.1%
Flicker	IEEE P1789 Compatible No Observable Effect
Hotplug Protection	Yes

	1800K / 3000K	2700K / 5000K
Compatibility	●	●
Max. Fixtures	1	1
Order Code	PSCC-1120T01-RM-02D	PSCC-1120T02-RM-02D

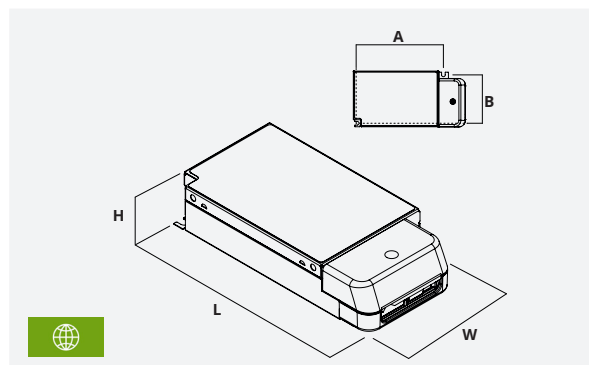


	L	W	H	A	B
mm	153	76.2	30.5	118	66.2
in	6.0	3.0	1.2	4.65	2.6

Remote | 50W | DALI DT8

Input Voltage	230 VAC 50/60 Hz
Driver Type	Constant Current Remote
Location	IP20 Indoor Dry Location Only
Dimming Control	DALI (Device Type 8)
Min. Dim Level	0.1%
Flicker	IEEE P1789 Compatible No Observable Effect
Hotplug Protection	Yes

	1800K / 3000K	2700K / 5000K
Compatibility	●	●
Max. Fixtures	1	1
Order Code	PSCC-1120T01-RM-02E	PSCC-1120T02-RM-02E

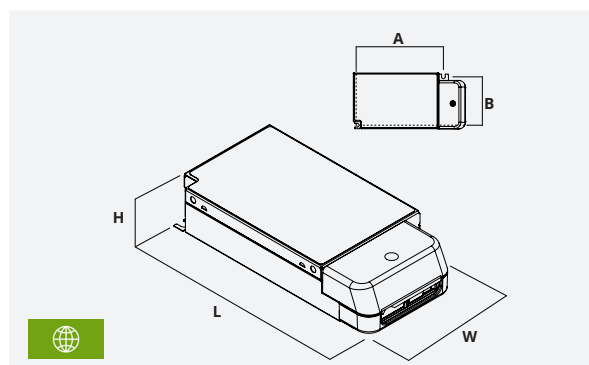


	L	W	H	A	B
mm	153	76.2	30.5	118	66.2
in	6.0	3.0	1.2	4.65	2.6

Remote | 50W | Casambi

Input Voltage	230 VAC 50/60 Hz
Driver Type	Constant Current Remote
Location	IP20 Indoor Dry Location Only
Dimming Control	Casambi Bluetooth Mesh App Required [2]
Min. Dim Level	0.1%
Flicker	IEEE P1789 Compatible No Observable Effect
Hotplug Protection	Yes

	1800K / 3000K	2700K / 5000K
Compatibility	●	●
Max. Fixtures	1	1
Order Code	PSCC-1120T01-RM-02C	PSCC-1120T02-RM-02C



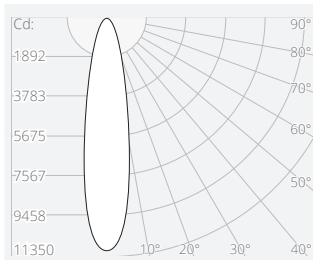
	L	W	H	A	B
mm	153	76.2	30.5	118	66.2
in	6.0	3.0	1.2	4.65	2.6

1800K / 3000K

PHOTOMETRY DIAGRAMS

Narrow | 20° Beam

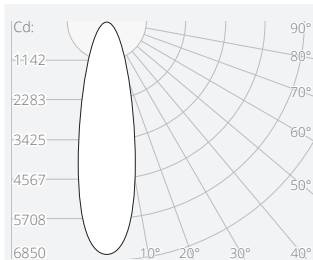
FWHM	20°
Delivered Flux	1,554 lm
Peak Intensity	25,452 Cd
UGR	8.7 UGR



Distance	Beam Diameter	Illuminance (lx)	Footcandle (fc)	Height (ft)	Beam Diameter (ft)
1m	0.37m	11335lx	1259fc	1.1ft	3ft
2m	0.74m	2834lx	315fc	2.2ft	6ft
3m	1.11m	1259lx	140fc	3.3ft	9ft
4m	1.48m	708lx	79fc	4.4ft	12ft
5m	1.85m	453lx	50fc	5.6ft	15ft
			35fc	6.7ft	18ft

Medium | 27° Beam

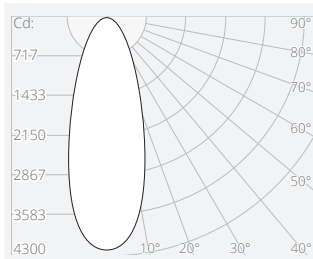
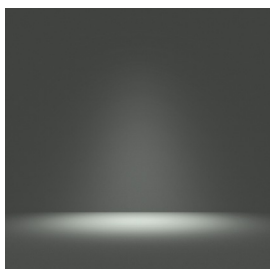
FWHM	27°
Delivered Flux	1,400 lm
Peak Intensity	14,047 Cd
UGR	11.5 UGR



Distance	Beam Diameter	Illuminance (lx)	Footcandle (fc)	Height (ft)	Beam Diameter (ft)
1m	0.48m	6820lx	758fc	1.4ft	3ft
2m	0.96m	1705lx	189fc	2.9ft	6ft
3m	1.44m	758lx	84fc	4.3ft	9ft
4m	1.92m	426lx	47fc	5.8ft	12ft
5m	2.40m	273lx	30fc	7.2ft	15ft
			21fc	8.6ft	18ft

Wide | 38° Beam

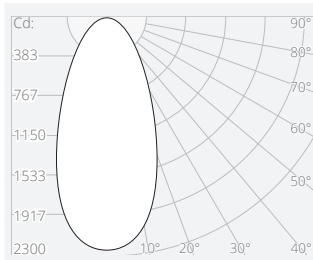
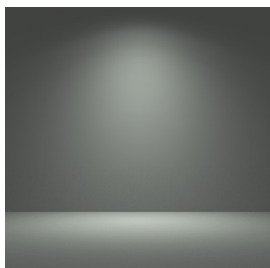
FWHM	38°
Delivered Flux	1,406 lm
Peak Intensity	6,230 Cd
UGR	12.1 UGR



Distance	Beam Diameter	Illuminance (lx)	Footcandle (fc)	Height (ft)	Beam Diameter (ft)
1m	0.69m	4289lx	477fc	2.1ft	3ft
2m	1.38m	1072lx	119fc	4.1ft	6ft
3m	2.07m	477lx	53fc	6.2ft	9ft
4m	2.75m	268lx	30fc	8.3ft	12ft
5m	3.44m	172lx	19fc	10.3ft	15ft
			13fc	12.4ft	18ft

Very Wide | 57° Beam

FWHM	57°
Delivered Flux	1,471 lm
Peak Intensity	3,074 Cd
UGR	19.1 UGR



Distance	Beam Diameter	Illuminance (lx)	Footcandle (fc)	Height (ft)	Beam Diameter (ft)
1m	0.93m	2294lx	255fc	2.8ft	3ft
2m	1.87m	574lx	64fc	5.6ft	6ft
3m	2.80m	255lx	28fc	8.4ft	9ft
4m	3.73m	143lx	16fc	11.2ft	12ft
5m	4.66m	92lx	10fc	14.0ft	15ft
			7fc	16.8ft	18ft

All diagrams and data as measured @ 3000K

PERFORMANCE SCALING BY CCT

CCT	Output Multiplier	Colour Consistency
1800K	x0.57	5 SDCM
2000K	x0.71	↑ 3 SDCM
2400K	x0.96	
2700K	x0.99	
3000K	x1.00	

Digital photometric files available as .LDT format.

Contact your sales rep or visit www.luminii.com for more information.

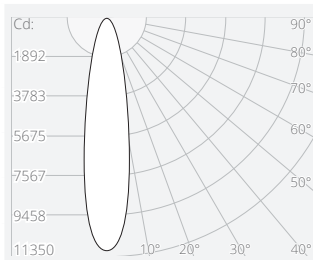


2700K / 5000K

PHOTOMETRY DIAGRAMS

Narrow | 21° Beam

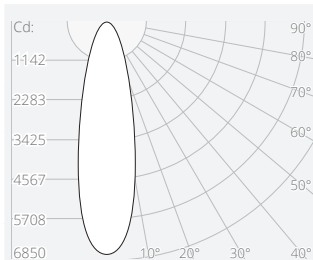
FWHM	21°
Delivered Flux	1,554 lm
Peak Intensity	25,452 Cd
UGR	9.2 UGR



Distance	Beam Diameter	Illuminance (lx)	Footcandle (fc)	Height (ft)	Beam Diameter (ft)
1m	0.37m	11335lx	1259fc	1.1ft	3ft
2m	0.74m	2834lx	315fc	2.2ft	6ft
3m	1.11m	1259lx	140fc	3.3ft	9ft
4m	1.48m	708lx	79fc	4.4ft	12ft
5m	1.85m	453lx	50fc	5.6ft	15ft
			35fc	6.7ft	18ft

Medium | 28° Beam

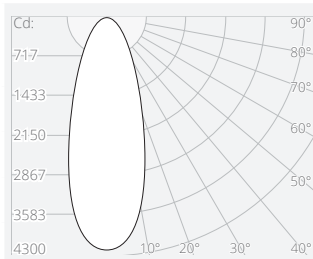
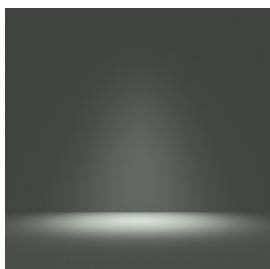
FWHM	28°
Delivered Flux	1,400 lm
Peak Intensity	14,047 Cd
UGR	12.7 UGR



Distance	Beam Diameter	Illuminance (lx)	Footcandle (fc)	Height (ft)	Beam Diameter (ft)
1m	0.48m	6820lx	758fc	1.4ft	3ft
2m	0.96m	1705lx	189fc	2.9ft	6ft
3m	1.44m	758lx	84fc	4.3ft	9ft
4m	1.92m	426lx	47fc	5.8ft	12ft
5m	2.40m	273lx	30fc	7.2ft	15ft
			21fc	8.6ft	18ft

Wide | 38° Beam

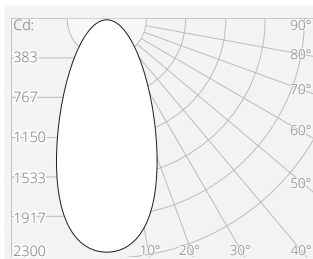
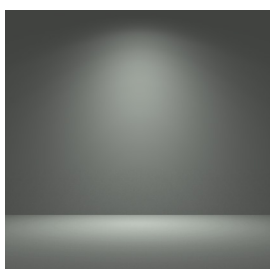
FWHM	38°
Delivered Flux	1,406 lm
Peak Intensity	6,230 Cd
UGR	12.9 UGR



Distance	Beam Diameter	Illuminance (lx)	Footcandle (fc)	Height (ft)	Beam Diameter (ft)
1m	0.69m	4289lx	477fc	2.1ft	3ft
2m	1.38m	1072lx	119fc	4.1ft	6ft
3m	2.07m	477lx	53fc	6.2ft	9ft
4m	2.75m	268lx	30fc	8.3ft	12ft
5m	3.44m	172lx	19fc	10.3ft	15ft
			13fc	12.4ft	18ft

Very Wide | 57° Beam

FWHM	57°
Delivered Flux	1,471 lm
Peak Intensity	3,074 Cd
UGR	20 UGR



Distance	Beam Diameter	Illuminance (lx)	Footcandle (fc)	Height (ft)	Beam Diameter (ft)
1m	0.93m	2294lx	255fc	2.8ft	3ft
2m	1.87m	574lx	64fc	5.6ft	6ft
3m	2.80m	255lx	28fc	8.4ft	9ft
4m	3.73m	143lx	16fc	11.2ft	12ft
5m	4.66m	92lx	10fc	14.0ft	15ft
			7fc	16.8ft	18ft

All diagrams and data as measured @ 3000K

PERFORMANCE SCALING BY CCT

CCT	Output Multiplier	Colour Consistency
2700K	x0.87	3 SDCM
3000K	x1.00	↑ 3 SDCM
3500K	x1.04	
4000K	x1.09	
4500K	x1.11	
5000K	x1.10	

Digital photometric files available as .LDT format.

Contact your sales rep or visit www.luminii.com for more information.

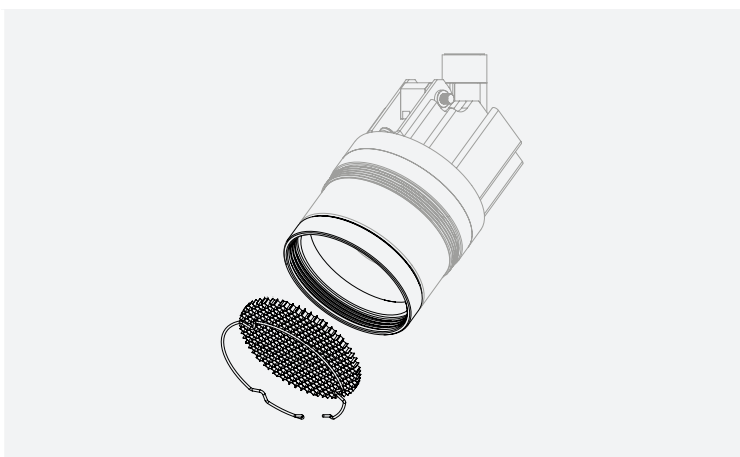


PRODUCT ANATOMY



- 1 High Output COB Light Engine with Tunable White technology
- 2 Interchangeable Colour Mixing TIR Optic
- 3 Integral Double Accessory Holder
- 4 Range of Optical Accessories
- 5 Accessory Retention Clip

INTEGRATED ACCESSORY HOLDERS



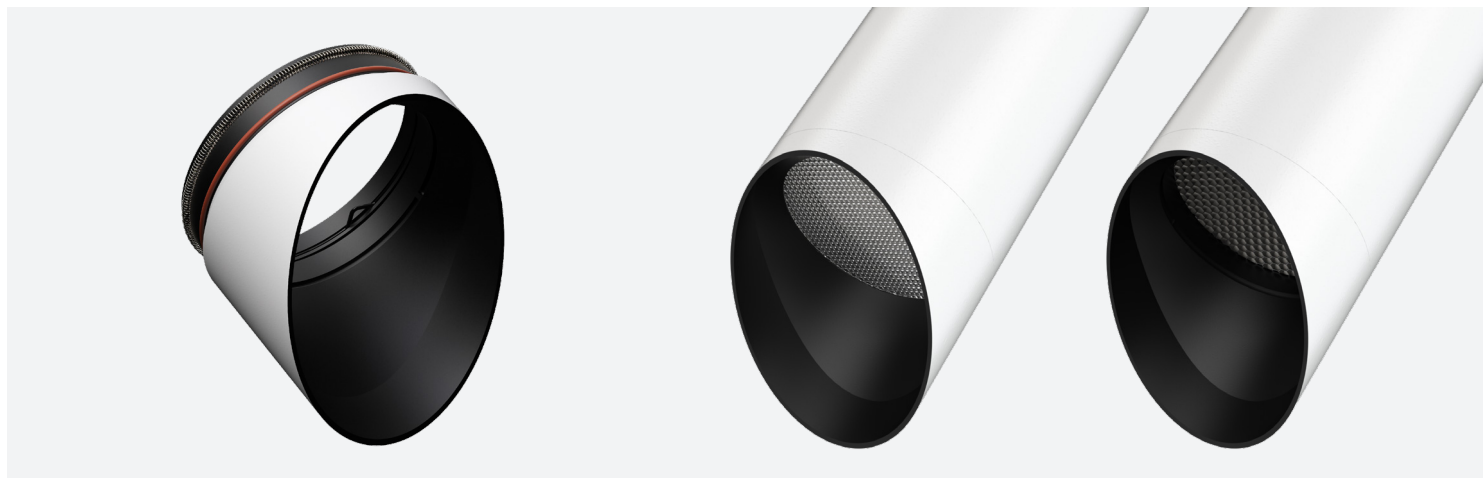
Double Accessory Holder

Built-in to Solo 20 Tunable White

Accessory Dia. $\varnothing 68\text{mm}$ | $\varnothing 2.68''$

Capacity 5.0mm | $0.2''$ Max Thickness



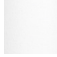



GLARE GUARD ACCESSORY HOLDER

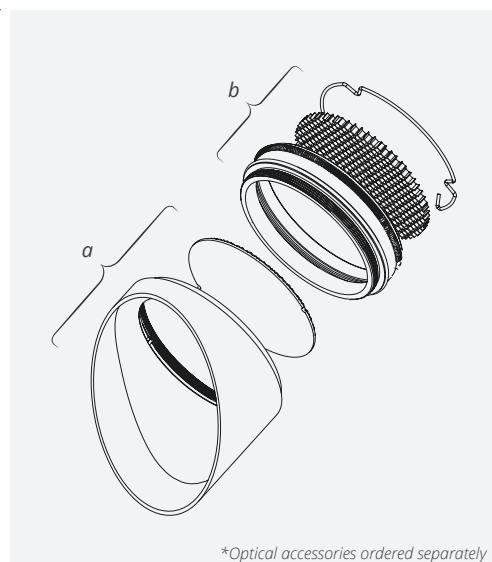


The Glare Guard Accessory Holder is an angled, snap-in snoot extension capable of holding a range of optical accessories, including honeycombs, gels, and beam shaping optics such as Wallwash and Linear Spread Lenses. The holder comprises of two halves, a front compartment and a rear compartment. The rear compartment is capable of holding a single accessory, whilst the front compartment is used to hold orientation dependent beam shaping optics such as the Wallwash and Linear Spread lens.

	a. Front Compartment	b. Rear Compartment
Accessory Diameter	Ø66 mm 2.60"	Ø68 mm 2.67"
Capacity	1.2mm 0.05" Max. Thickness	3.2mm 0.125" Max. Thickness
Orientation Indexing	Yes - Alignment Notches	No
Weight	Aluminium: 114g Brass: 287g	

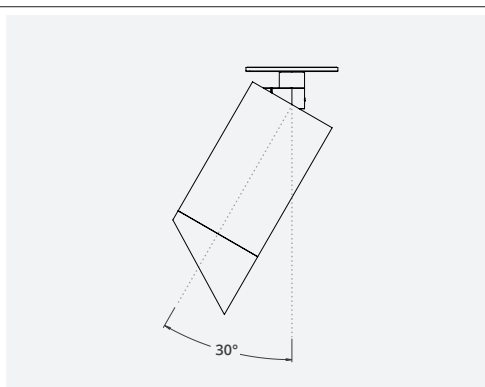
Ordering Codes*

	Black	1120-GLR-01-BK		Polished Brass	1120-GLR-02-PB
	Traffic White	1120-GLR-01-TW		Brushed Brass	1120-GLR-02-SB
	Brushed Aluminium	1120-GLR-01-AL		Rubbed Bronze	1120-GLR-02-RB



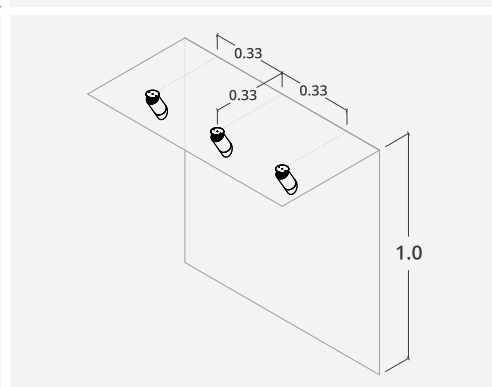
Orientation Indexing

For optical accessories that require a specific orientation, use their alignment notches to position them correctly within the Glare Guard Accessory Holder.



Wallwash Fixture Angle

For optimum performance, the fixture should be angled at approx. 30° from the vertical plane.



Wallwash Positioning and Pitch

Wallwash fixtures should be positioned one-third of the ceiling height away from the wall and spaced apart by the same distance.



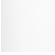



SNOOT ACCESSORY HOLDER



The Snoot Accessory Holder (sold separately) enhances the Solo 20's optical accessory capacity while adding decorative trim in a variety of complementary finishes. Its snap-in, snap-out mechanism is completely tool-free, making on-site adjustments simple and ensuring the holder fits flush with the snoot's front edge.

Accessory Diameter	Ø68 mm 2.67"
Capacity	3.2mm 0.125" Max. Thickness
Orientation Index	No
Weight	Aluminum 31g Brass 91g





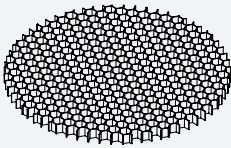
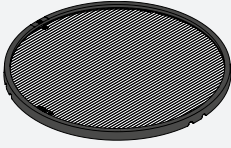
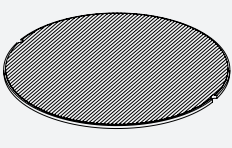
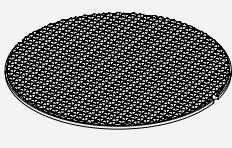
Ordering Codes*

 Black	1120-HOL-01-BK	 Polished Brass	1120-HOL-02-PB
 Traffic White	1120-HOL-01-TW	 Brushed Brass	1120-HOL-02-SB
 Brushed Aluminium	1120-HOL-01-AL	 Rubbed Bronze	1120-HOL-02-RB



*Optical accessories ordered separately

OPTICAL ACCESSORIES

SPARE OPTICS				
	<p>Narrow TIR Optic For Solo 20 Tunable White HKRG-68-15-PC</p>	<p>Medium TIR Optic For Solo 20 Tunable White HKRG-68-24-PC</p>	<p>Wide TIR Optic For Solo 20 Tunable White HKRG-68-36-PC</p>	<p>Very Wide TIR Optic For Solo 20 Tunable White HKRG-68-50-PC</p>
	GLARE CONTROL			
		<p>Ø68 Honeycomb Louvre Ø68 x 3.2mm Ø2.67 x 0.125" Fits all accessory holders 995-68-BK</p>		
BEAM MODIFIERS				
	<p>Ø68 Linear Spread Lens Ø68 x 3.0mm Ø2.67 x 0.12" Fits all accessory holders HKFD-68-LIN</p>	<p>Ø66 Linear Spread Lens Ø66 x 1.2mm Ø2.60 x 0.05" For Glare Guard Accessory only HKFD-68-LIN-1</p>	<p>Ø66 Wallwash Lens Ø66 x 1.2mm Ø2.60 x 0.05" For Glare Guard Accessory only HKFD-68-WAS-1</p>	