

Installation Instructions - Kurba Grazer 3D Tunable White

Models KBG-W-3D-XX

Please read all instructions prior to installation and keep for future reference!

1. PRODUCT TO BE INSTALLED BY A QUALIFIED ELECTRICIAN.
2. USE ONLY WITH CLASS 2 POWER UNIT
3. 24 VOLTS DC
4. SUITABLE FOR WET LOCATIONS
5. NO ADHESIVE ALLOWED TO AFFIX THE PRODUCT



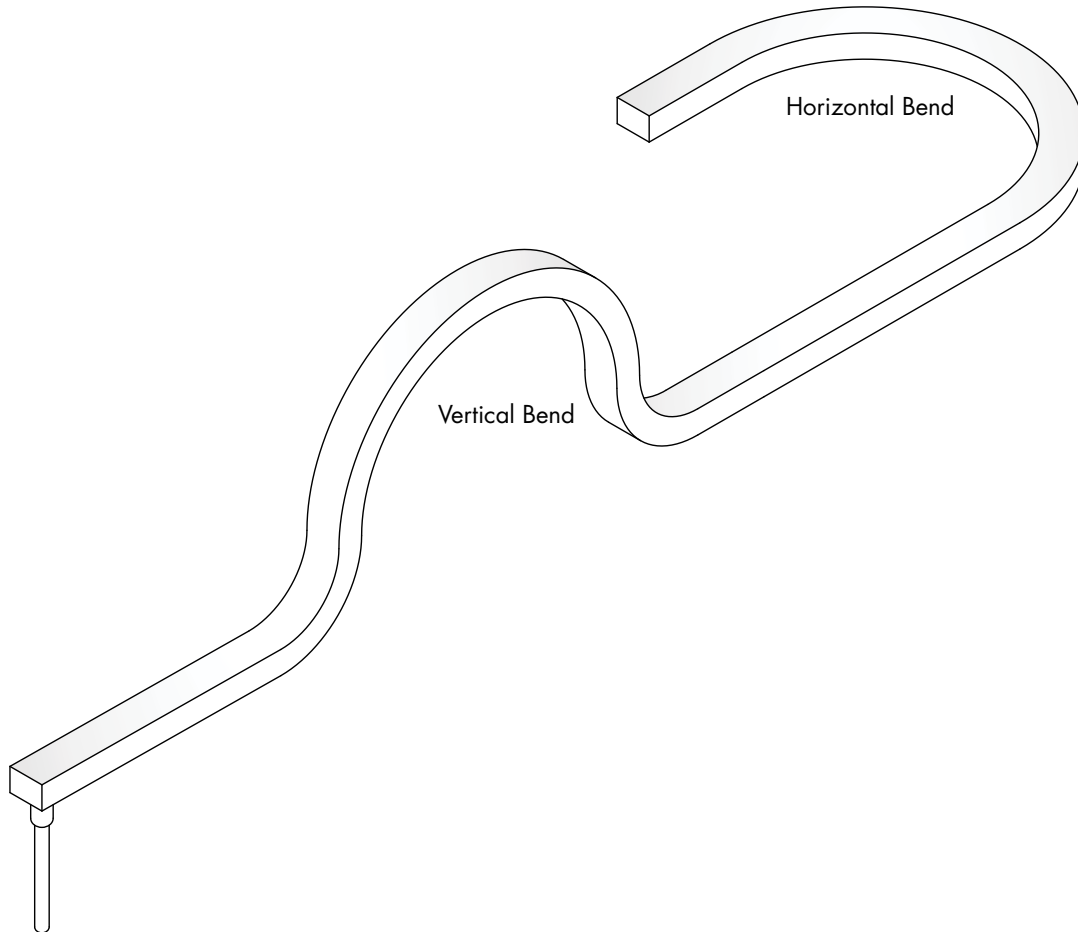
REVO.5
07252024

1 / 9



7777 Merrimac Ave
Niles, IL 60714
T 224.333.6033
F 224.757.7557
info@luminii.com
www.luminii.com

Please read all instructions prior to installation and keep for future reference!



Installation Instructions - Kurba Grazer 3D Tunable White

Models KBG-W-3D-XX



7777 Merrimac Ave
Niles, IL 60714
T 224.333.6033
F 224.757.7557
info@luminii.com
www.luminii.com

REV.0.5
07252024

2 / 9

Please read all instructions prior to installation and keep for future reference!

1. PRODUCT TO BE INSTALLED BY A QUALIFIED ELECTRICIAN.
2. USE ONLY WITH CLASS 2 POWER UNIT
3. 24 VOLTS DC
4. SUITABLE FOR WET LOCATIONS
5. NO ADHESIVE ALLOWED TO AFFIX THE PRODUCT

CAUTION: Reference to below before installing Kurba

When unpacking Kurba, carefully pull it out of the packaging box.
Note: Incorrect unpacking may cause PCB fracture or damage on electronic components, and lead to the failure of light. Gloves are recommended in third step.

Do not pull the cable, otherwise it may disable the function of the connector and lead to water ingress. It's recommended to keep the first 2.5 inches of the cable straight and without tension.

Horizontal Bend

CAN Bend LED in these positions to avoid damage

Product Name	Minimum Diameter
	Horizontal Vertical
Kurba Wall Wash	32in 16in

CANNOT Twisting or bending LED in these positions will cause damage to the LED

Twisting Kurba will cause damage to the LED

Bending in the same direction as the LED will cause damage to the LED

Do not make sharp bends near the endcap

Vertical Bend

CAN Bend LED in these positions to avoid damage

CANNOT Twisting or bending LED in these positions will cause damage to the LED

Twisting Kurba will cause damage to the LED

Bending in the same direction as the LED will cause damage to the LED

Do not make sharp bends near the endcap

Installation Instructions - Kurba Grazer 3D Tunable White

Models KBG-W-3D-XX



7777 Merrimac Ave
Niles, IL 60714
T 224.333.6033
F 224.757.7557
info@luminii.com
www.luminii.com

REV.0.5
07252024

3 / 9

Please read all instructions prior to installation and keep for future reference!

1. PRODUCT TO BE INSTALLED BY A QUALIFIED ELECTRICIAN.
2. USE ONLY WITH CLASS 2 POWER UNIT
3. 24 VOLTS DC
4. SUITABLE FOR WET LOCATIONS
5. NO ADHESIVE ALLOWED TO AFFIX THE PRODUCT

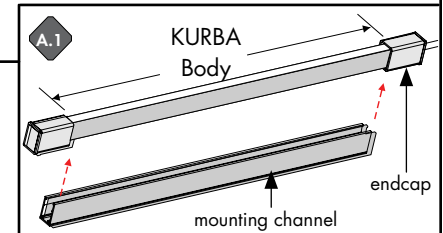
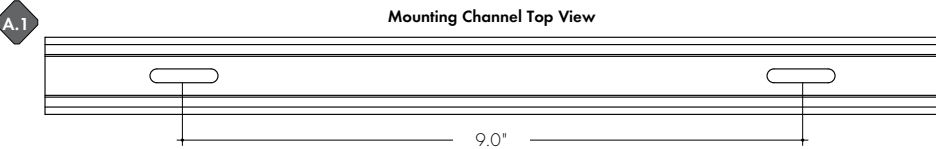
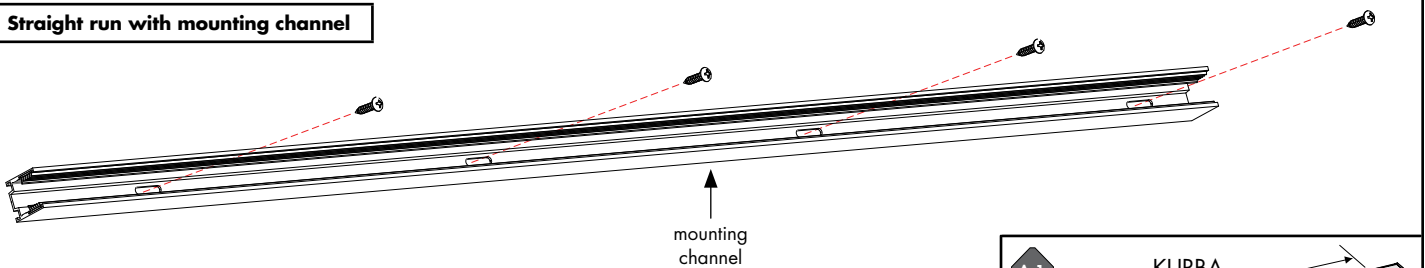
1

NOTE: Prior to installation all 24VDC wires must be present within 72" of the installation. Refer to the power supply installation instruction for additional information.

NOTE: More than one person is recommended for this installation.

- 1.1** Once the location or pattern is determined for Kurba to be installed, start off by marking the area. Amount of brackets may vary dependant upon pattern. Reference diagrams below.

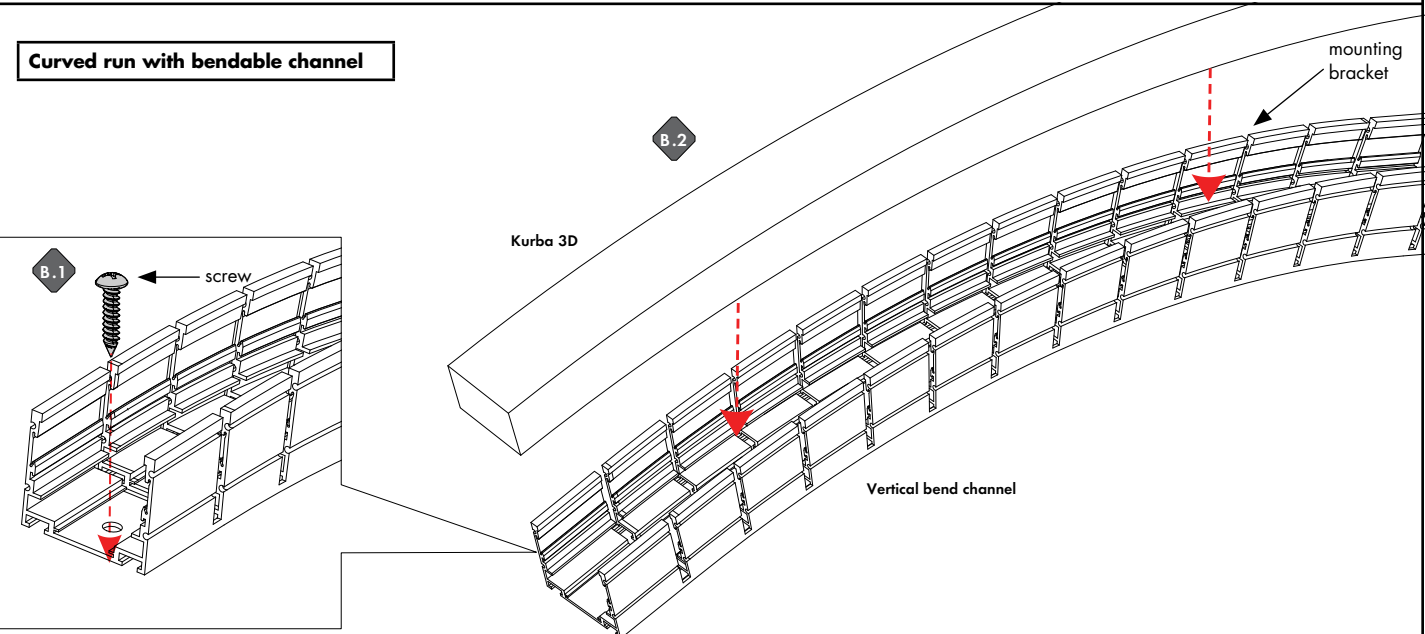
Straight run with mounting channel



- A.1** Drill holes into the surface 9" apart from each other, followed by placing the mounting channel to the surface. Make sure its straight by using a level.

- A.2** Secure channel to the surface by tightening all the provided screws. If mounting to something other than wood, we recommend using the proper hardware.

Curved run with bendable channel



- B.1** Determine the shape of the Kurba layout, then mark the pattern onto the surface. Minimum bending diameter 78.7 inch.

- B.2** Secure the mounting channel to the surface by tightening the screw. If mounting to something other than wood, we recommend using the proper hardware. Then, insert Kurba into the channel

Installation Instructions - Kurba Grazer 3D Tunable White

Models KBG-W-3D-XX

Please read all instructions prior to installation and keep for future reference!

1. PRODUCT TO BE INSTALLED BY A QUALIFIED ELECTRICIAN.
2. USE ONLY WITH CLASS 2 POWER UNIT
3. 24 VOLTS DC
4. SUITABLE FOR WET LOCATIONS
5. NO ADHESIVE ALLOWED TO AFFIX THE PRODUCT



REV.0.5
07252024

4 / 9

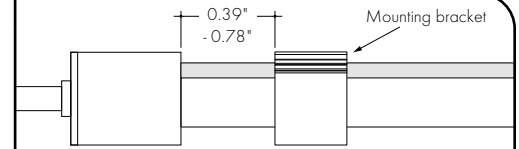


7777 Merrimac Ave
Niles, IL 60714
T 224.333.6033
F 224.757.7557
info@luminii.com
www.luminii.com

2

NOTE: Prior to installation all 24VDC wires must be present within 72" of the installation. Refer to the power supply installation instruction for additional information.

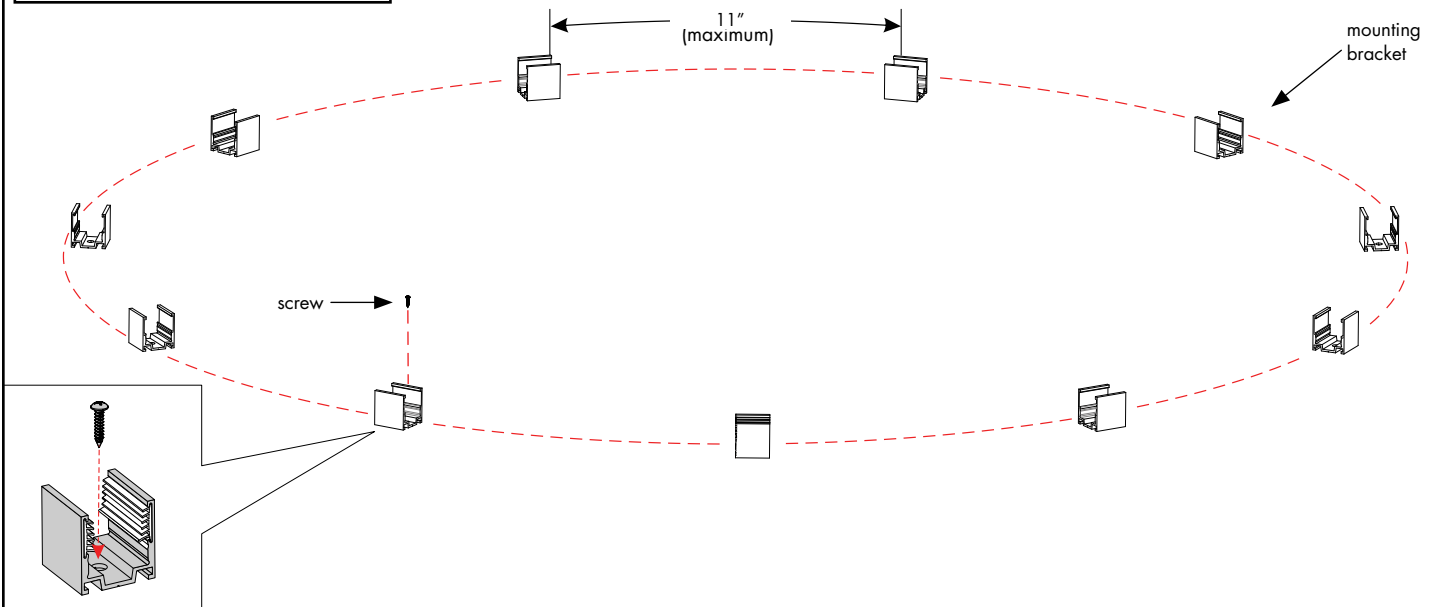
NOTE: More than one person is recommended for this installation.



NOTE: Keep a 0.39" - 0.79" spacing between the end of the fixture and the mounting bracket

- 2.1** Once the location or pattern is determined for Kurba to be installed, start off by marking the area. Amount of brackets may vary dependant upon pattern. Reference diagrams below.

Curved run with mounting brackets



- 2.2** Determine the shape of the Kurba layout, then mark the pattern onto the surface. Then, place a mounting bracket every 11"(maximum). The pattern may vary dependant upon the amount of curves. 4-5 bracket per 40inch recommended.

- 2.3** Secure the mounting brackets to the surface by tightening the screw. If mounting to something other than wood, we recommend using the proper hardware.

Installation Instructions - Kurba Grazer 3D Tunable White

Models KBG-W-3D-XX

Please read all instructions prior to installation and keep for future reference!

1. PRODUCT TO BE INSTALLED BY A QUALIFIED ELECTRICIAN.
2. USE ONLY WITH CLASS 2 POWER UNIT
3. 24 VOLTS DC
4. SUITABLE FOR WET LOCATIONS
5. NO ADHESIVE ALLOWED TO AFFIX THE PRODUCT



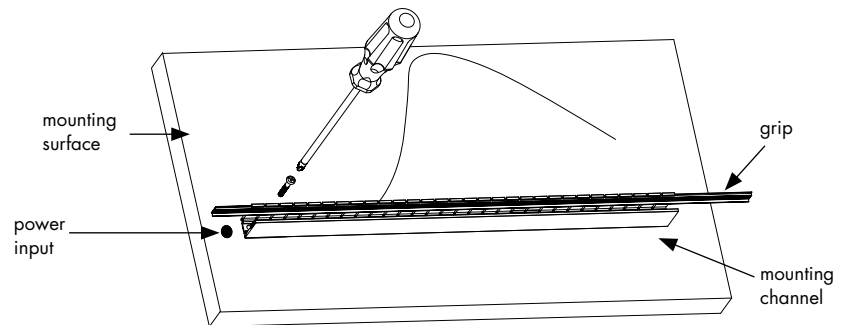
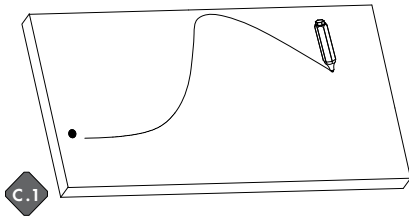
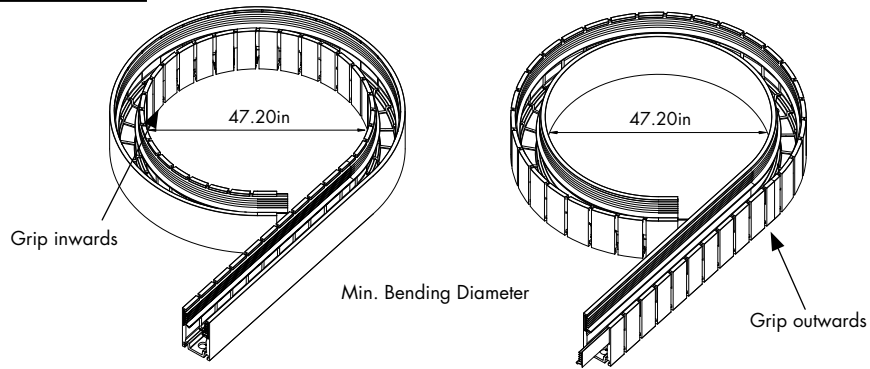
REV0.5
07252024

5 / 9



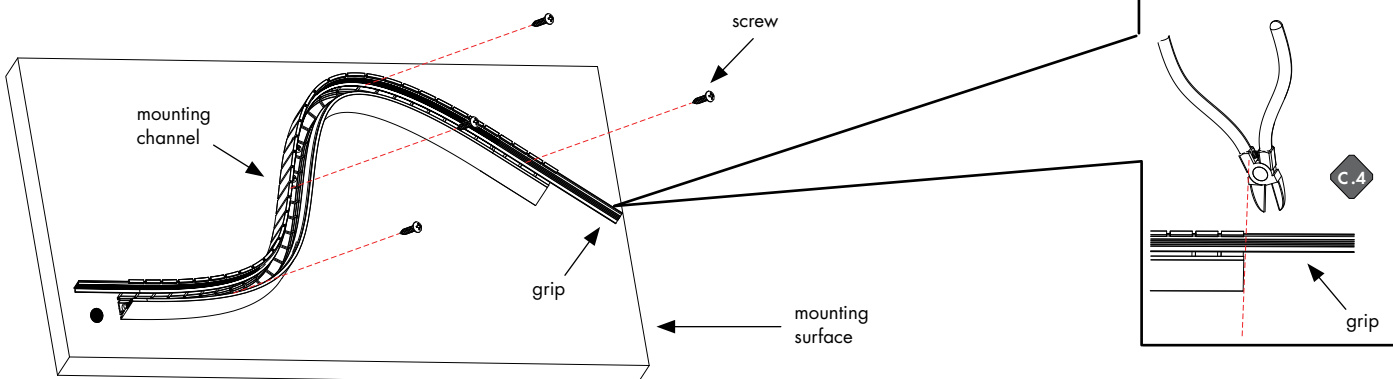
7777 Merrimac Ave
Niles, IL 60714
T 224.333.6033
F 224.757.7557
info@luminii.com
www.luminii.com

Bendable Mounting Channel with Grip



C.1 Mark the required shape on the mounting surface.

C.2 Fix the screw starting from the power input end. Keep some distance between the channel and power input.



C.3 Fix the rest in sequence along with the marks.

C.4 Adjust the serrate silicone tape and remove the extra lengths at both ends.

Installation Instructions - Kurba Grazer 3D Tunable White

Models KBG-W-3D-XX



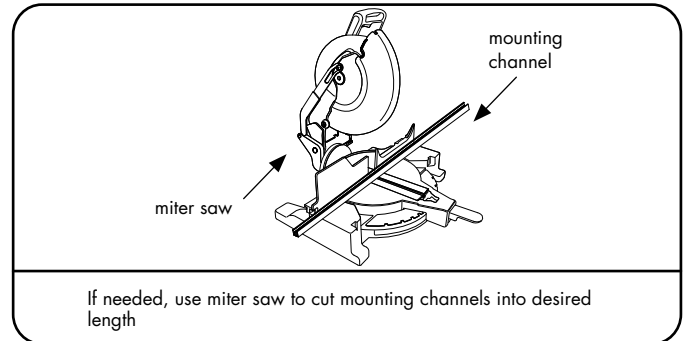
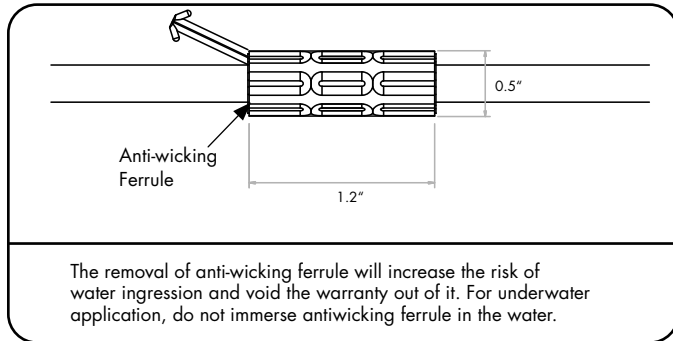
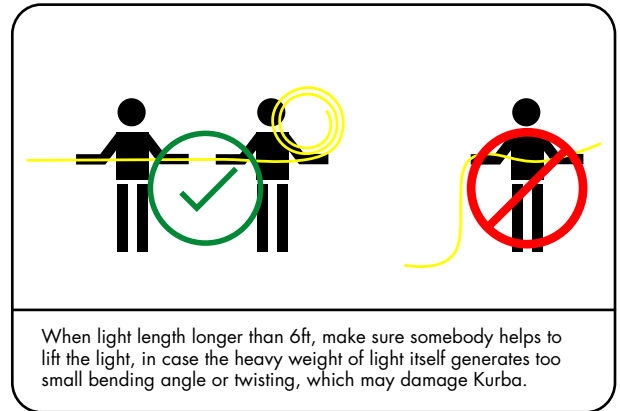
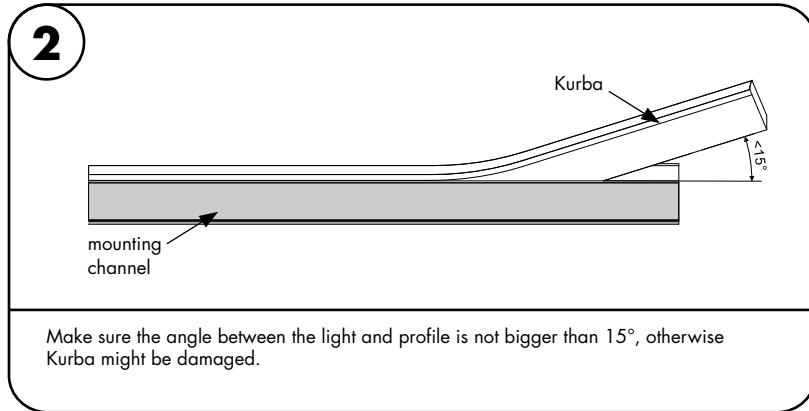
7777 Merrimac Ave
Niles, IL 60714
T 224.333.6033
F 224.757.7557
info@luminii.com
www.luminii.com

REV.0.5
07252024

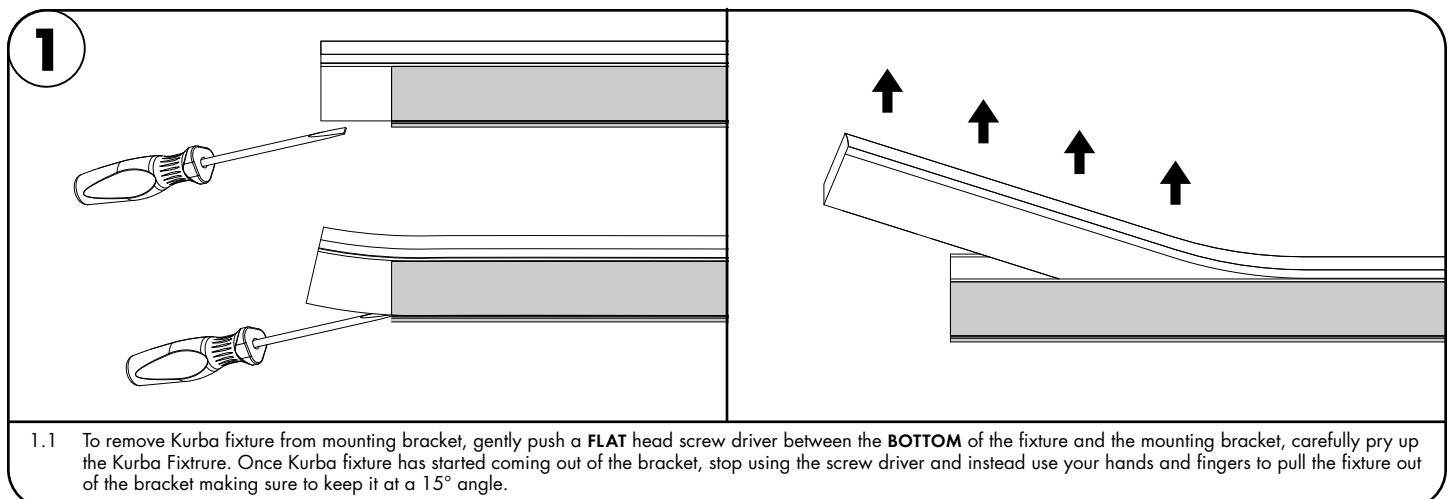
6 / 9

Please read all instructions prior to installation and keep for future reference!

1. PRODUCT TO BE INSTALLED BY A QUALIFIED ELECTRICIAN.
2. USE ONLY WITH CLASS 2 POWER UNIT
3. 24 VOLTS DC
4. SUITABLE FOR WET LOCATIONS
5. NO ADHESIVE ALLOWED TO AFFIX THE PRODUCT



Removing Kurba from Mounting Brackets



Installation Instructions - Kurba Grazer 3D Tunable White

Models KBG-W-3D-XX



7777 Merrimac Ave
Niles, IL 60714
T 224.333.6033
F 224.757.7557
info@luminii.com
www.luminii.com

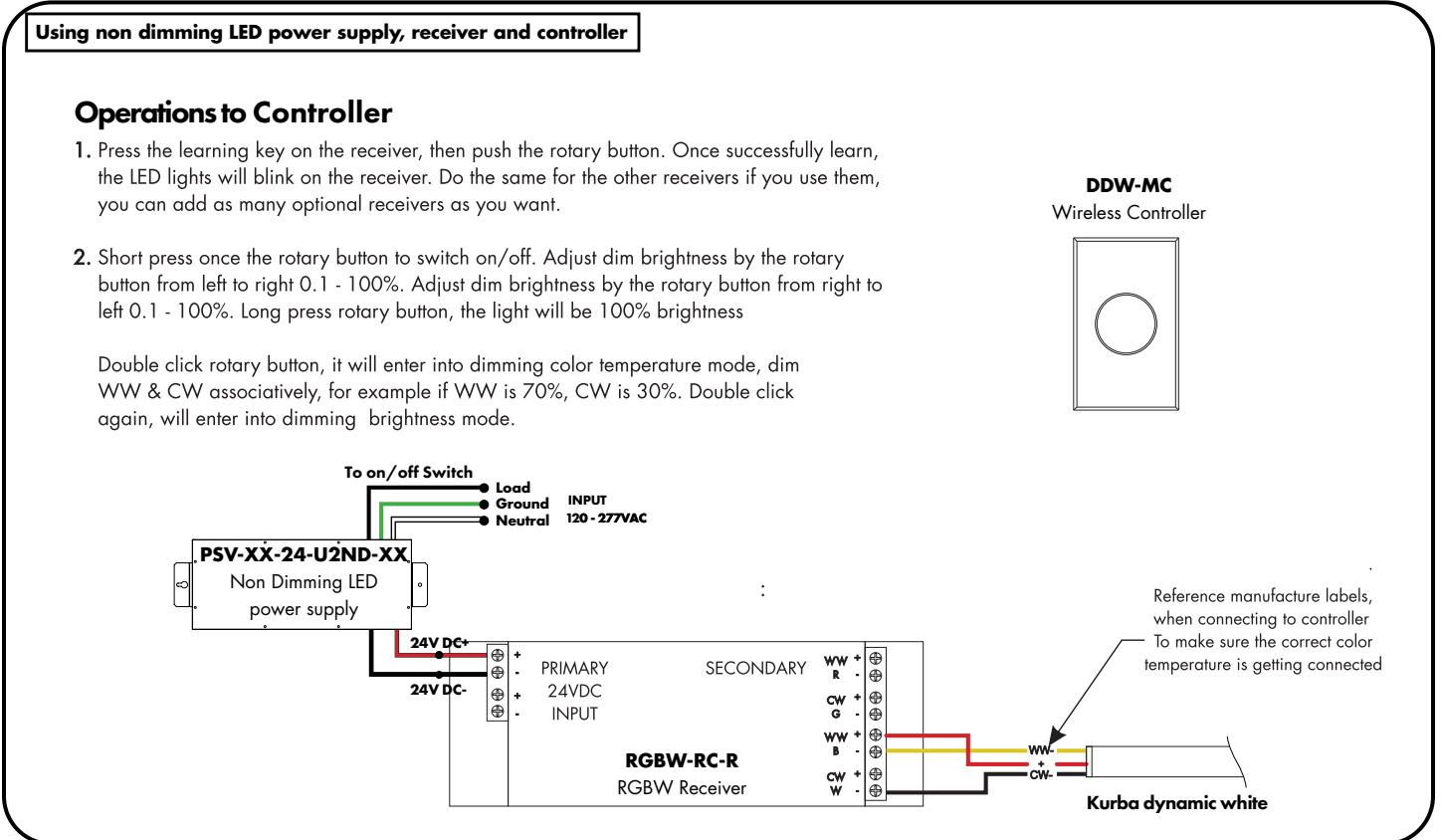
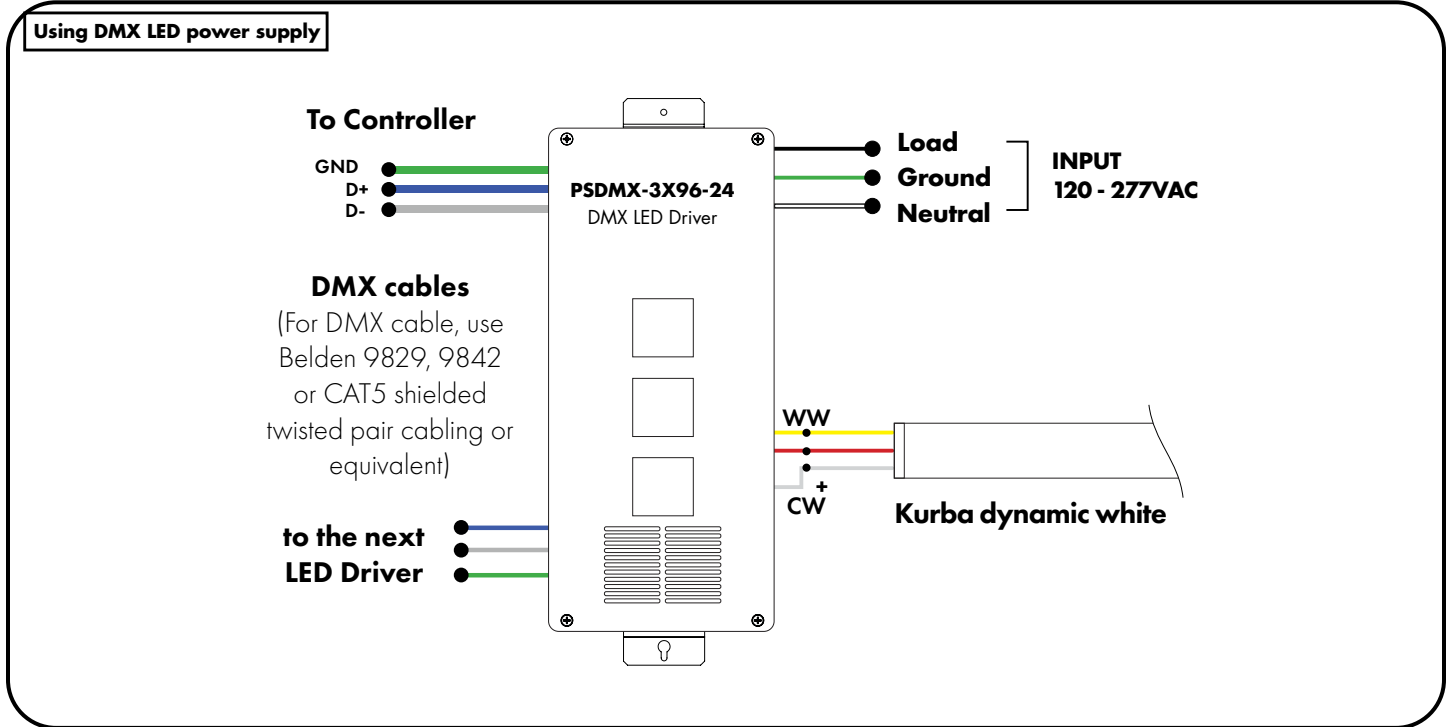
REV.0.5
07252024

7 / 9

Please read all instructions prior to installation and keep for future reference!

1. PRODUCT TO BE INSTALLED BY A QUALIFIED ELECTRICIAN.
2. USE ONLY WITH CLASS 2 POWER UNIT
3. 24 VOLTS DC
4. SUITABLE FOR WET LOCATIONS
5. NO ADHESIVE ALLOWED TO AFFIX THE PRODUCT

Wiring Diagrams



Installation Instructions - Kurba Grazer 3D Tunable White

Models KBG-W-3D-XX

Please read all instructions prior to installation and keep for future reference!

1. PRODUCT TO BE INSTALLED BY A QUALIFIED ELECTRICIAN.
2. USE ONLY WITH CLASS 2 POWER UNIT
3. 24 VOLTS DC
4. SUITABLE FOR WET LOCATIONS
5. NO ADHESIVE ALLOWED TO AFFIX THE PRODUCT



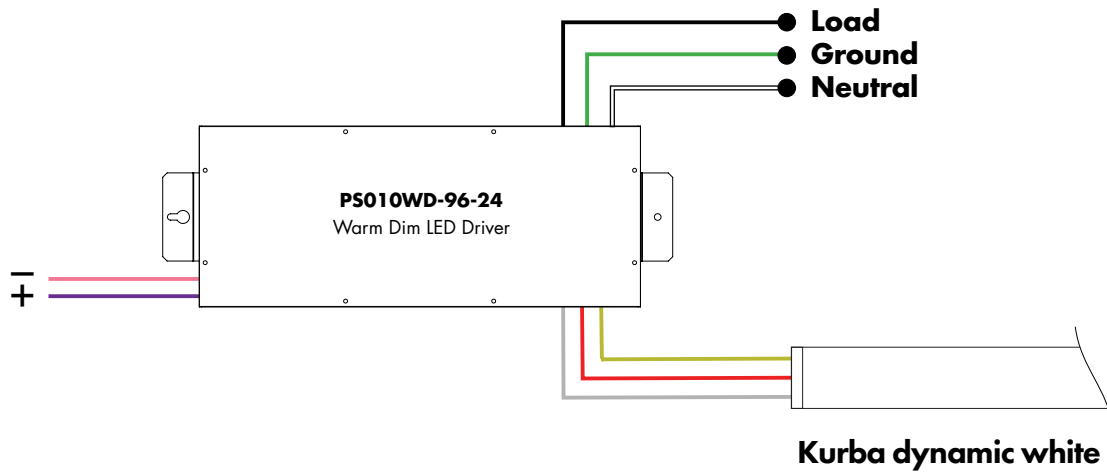
REV0.5
07252024

8 / 9



7777 Merrimac Ave
Niles, IL 60714
T 224.333.6033
F 224.757.7557
info@luminii.com
www.luminii.com

Using warm dim LED power supply



Using tunable white LED power supply

Controller 1:
0-10V for intensity



Controller 2:
0-10V for color temperature



PS010TW-96-24
Tunable White LED Driver

● Load
● Ground
● Neutral

INPUT
120 - 277VAC

Kurba dynamic white

Installation Instructions - Kurba Grazer 3D Tunable White

Models KBG-W-3D-XX



7777 Merrimac Ave
Niles, IL 60714
T 224.333.6033
F 224.757.7557
info@luminii.com
www.luminii.com

Please read all instructions prior to installation and keep for future reference!

1. PRODUCT TO BE INSTALLED BY A QUALIFIED ELECTRICIAN.
2. USE ONLY WITH CLASS 2 POWER UNIT
3. 24 VOLTS DC
4. SUITABLE FOR WET LOCATIONS
5. NO ADHESIVE ALLOWED TO AFFIX THE PRODUCT

REV.0.5
07252024

9 / 9

