



Easy to operate wireless interface suitable for RGB/W static or RGB color changing scenes. Control 8 different color scenes within each of the 8 different color zones. RGBW receiver (RGBW-RC-R) required for operation.

Color wheel enables highly stable and sensitive color control functionality. Choose from 10 different already programmed color sequences. Multiple function buttons enable the fast navigation of color settings.

Controller can be completely replicated by readily available application for smart phones (WIFI network generator RGBW-WI-R and smart phone required).

To reduce possible RF interference it is necessary to use signal repeaters to control multiple runs in the same zone.

Power
Included USB cord

Scenes
Up to 8 unique zones and 8 unique scenes within each zone

Signal
Wireless (RF)

Energy saving
Deactivates after 10 seconds of inactivity

Color parameters

- Brightness
- Saturation
- Primary colors
- Fading
- Choice of 10 programmed color sequences
- Color changing speed

Interference may be caused if other devices are operating in close range of 869.5Mhz frequency.

ORDERING CODE

Model RGBW-RC

RGBW-RC - Multiple-zone RGB controller

RGBW-RC-R

RGBW receiver (required to enable controller)



The RGBW receiver is easily paired with controller by the click of a button. Receiver can be reset to factory settings at any time.

Each receiver can store one static RGB color, one color sequence, and one brightness setting for the white LED strip. Receivers assigned to the same scene within the same zone will have the same LED static color and color sequence.

Operating voltage
12-36 VDC

Power capacity
up to 96W at 24V

Operating temperature range
from -4 °F to +122 °F in case

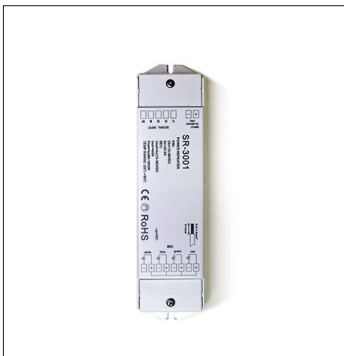


Model RGBW-RC-R

RGBW-RC-R - RGBW receiver

RGBW-SR

RGBW-SR RGBW signal repeater



Extends identical signal when connected in series to an RGBW LED control system. The RGBW signal repeater works with Luminii RGB and RGBW controllers, receivers, and decoders.

RGBW signal can be extended indefinitely when adequate power supply (not included) is connected to the system.

Operating voltage
12-36 VDC

Power capacity
up to 96W at 24V

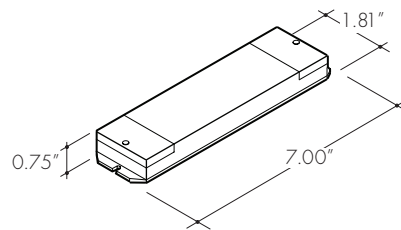
Operating temperature range
from -4 °F to +122 °F in case



ORDERING CODE

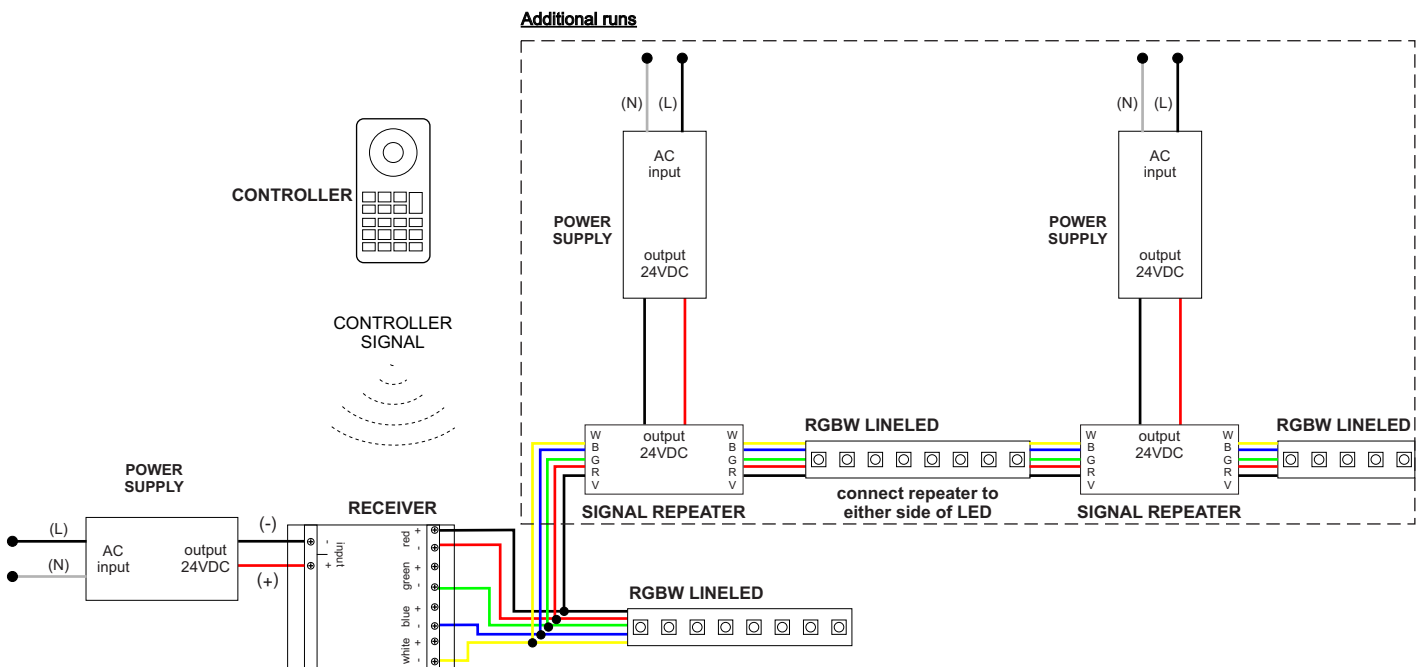
Model
RGBW-SR
RGBW-SR - RGBW signal repeater

*Can not be used as a free standing receiver/decoder.
Only repeats existing signal.



System diagram

Power supply output is to be compatible with operating voltage for line LED used. Additional power supplies to be added to support additional line LED strips and signal repeaters.



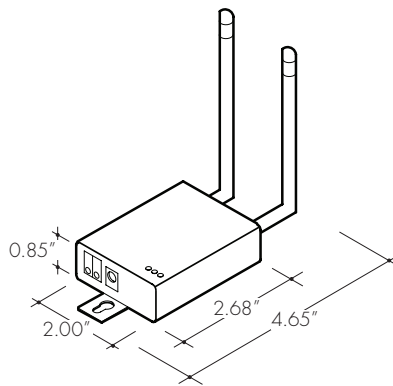
RGBW-WI-R

WiFi network generator for RGBW signal control



RGBW-WI-R creates a local network that enables any electronic device (phone, tablet, etc.) to control the RGB/W strip connected to a RGBW-RC-R receiver.

The control functions are achieved through a free application download for Android and iOS devices called REALCOLOR.



Operating voltage
12-24 VDC

Power supply
PI-130-24 (included)

Operating temperature range
from -4 °F to +122 °F in case



ORDERING CODE

Model
RGBW-WI-R

RGBW-WI-R - WiFi generator

