

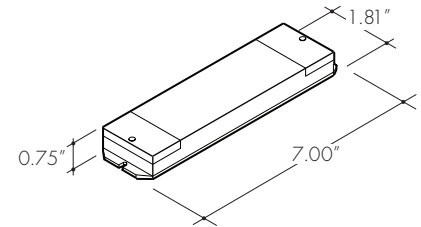
Extends identical signal when connected in series to an RGBW LED control system. The RGBW signal repeater works with Luminii RGB and RGBW controllers, receivers, and decoders.

RGBW signal can be extended indefinitely when adequate power supply (not included) is connected to the system.

Operating voltage
12-36 VDC

Power capacity
up to 96W at 24V

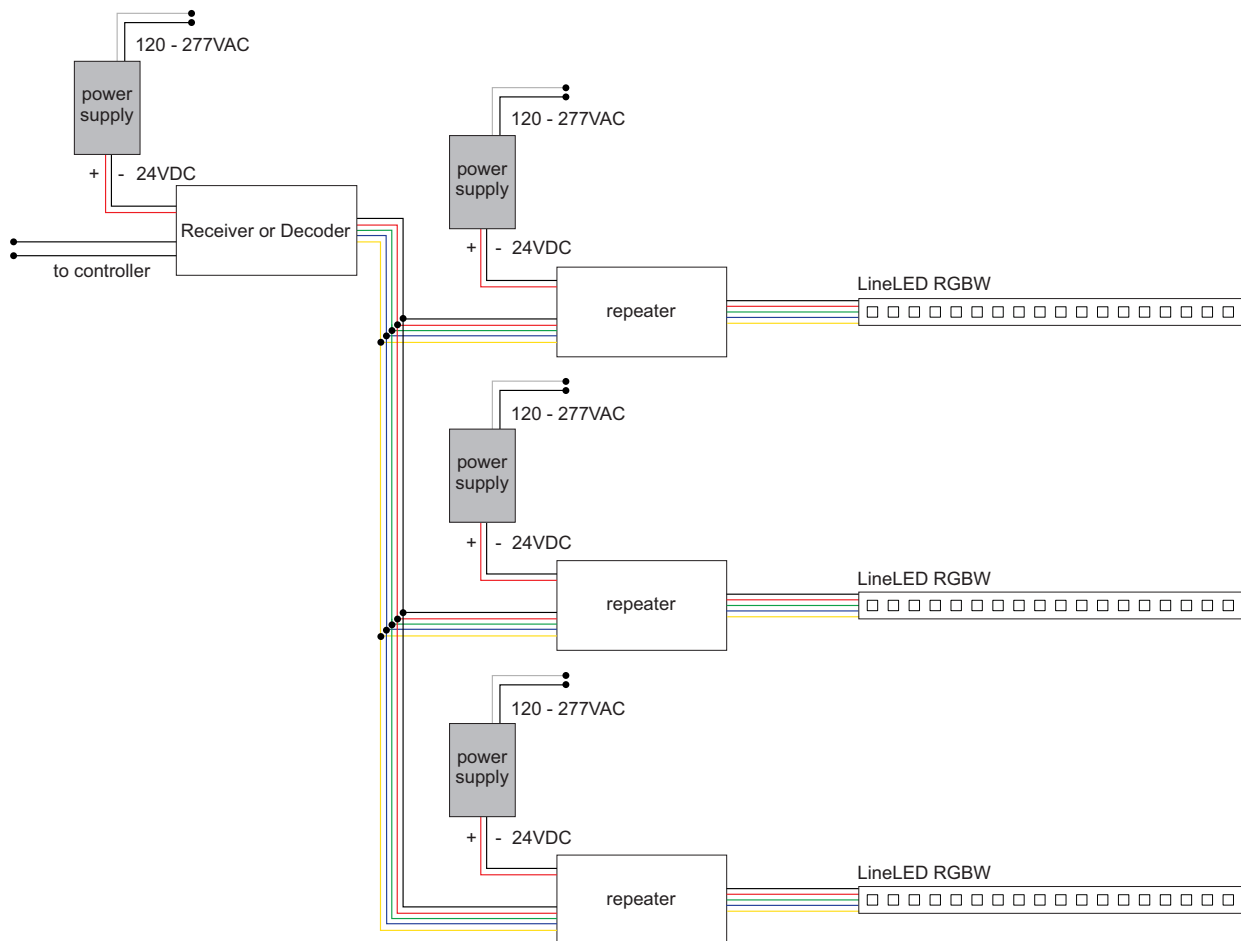
Operating temperature range
from -4 °F to +122 °F in case



* Can not be used as a free standing receiver/decoder. Only repeats existing signal.

System diagram

Power supply output is to be compatible with operating voltage for Line LED used. Additional power supplies to be added to support additional Line LED strips and signal repeaters.



Ordering code

Model
RGBW-SR
RGBW-SR - RGBW signal repeater