

Wall-mount controller that controls LED lighting fixtures. Either as a wireless control in sync with a RGBW receiver, or hardwired in conjunction with a DMX decoder. All controller terminal outputs located on the back of the controller. Power supply (included) and all wiring fits inside a standard US switch box.

Control brightness levels with a single touch, personalize and memorize 3 different scenes, and even create 3 variations of white.

**Features**

- 2 in 1 in-Wall Controller: DMX Control or Wireless RGB-W
- 65,000 Color Options, Dimming and Speed Control
- Memory Function
- 50 Foot Wireless Range
- Easily Fits Standard US Switch Boxes
- Touch Sensitive Glass Surface
- Includes 10 Built in Programs

**Operating voltage**

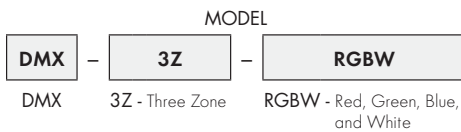
12 - 24V DC

**Color parameters**

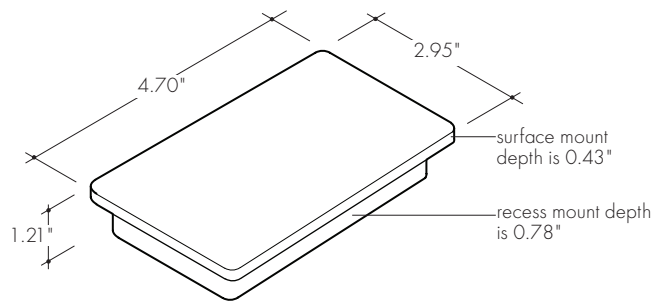
- Brightness
- Saturation
- Primary colors
- Fading
- Color changing speed

*Interference may be caused if other devices are operating in close range of 869.5Mhz frequency.*

**Ordering code**



**Product dimensions**



**DMX decoder**

DMX signal to RGBW decoder (required to operate DMX controller, decoder not needed if using PSDMX power supply)



Translates controller DMX512 programs for RGB and white LED strips.

Unique DMX address for the decoder can be set easily and displayed by the numeric display on the case. Changing and resetting the DMX address requires manual input.

Use power repeater to expand output.

**Operating voltage**

12-36 VDC

**Power capacity**

Up to 96W at 24V

**Operating temperature range**

from -4°F to +122°F in case

ORDERING CODE

**DDMX-RGBW**

DDMX-RGBW - DMX Decoder

## RGBW-RC-R

RGBW receiver (required to enable controller)



ORDERING CODE

**RGBW - RC - R**

RGBW-RC-R - RGBW Receiver

The RGBW receiver is easily paired with controller by the click of a button. Receiver can be reset to factory settings at any time.

Each receiver can store one static RGB color, one color sequence, and one brightness setting for the white LED strip. Receivers assigned to the same scene within the same zone will have the same LED static color and color sequence.

**Operating voltage**

12-36 VDC

**Power capacity**

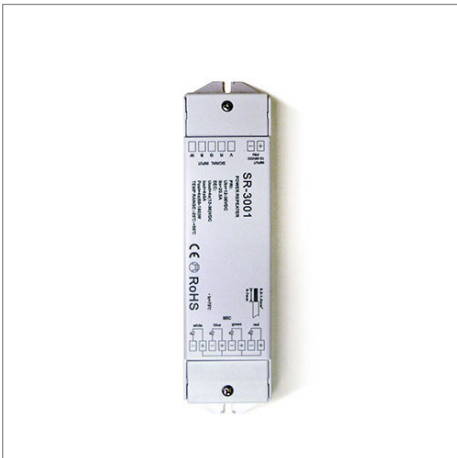
Up to 96W at 24V

**Operating temperature range**

from -4°F to +122°F in case

## RGBW-SR

Signal repeater for RGBW LineLED



ORDERING CODE

**RGBW - SR**

RGBW-SR - RGBW signal repeater

Extends identical signal when connected in series to an RGBW LED control system. The RGBW signal repeater works with Luminii RGB and RGBW controllers, receivers, and decoders.

RGBW signal can be extended indefinitely when adequate power supply (not included) is connected to the system.

**Operating voltage**

12-36 VDC

**Power capacity**

Up to 96W at 24V

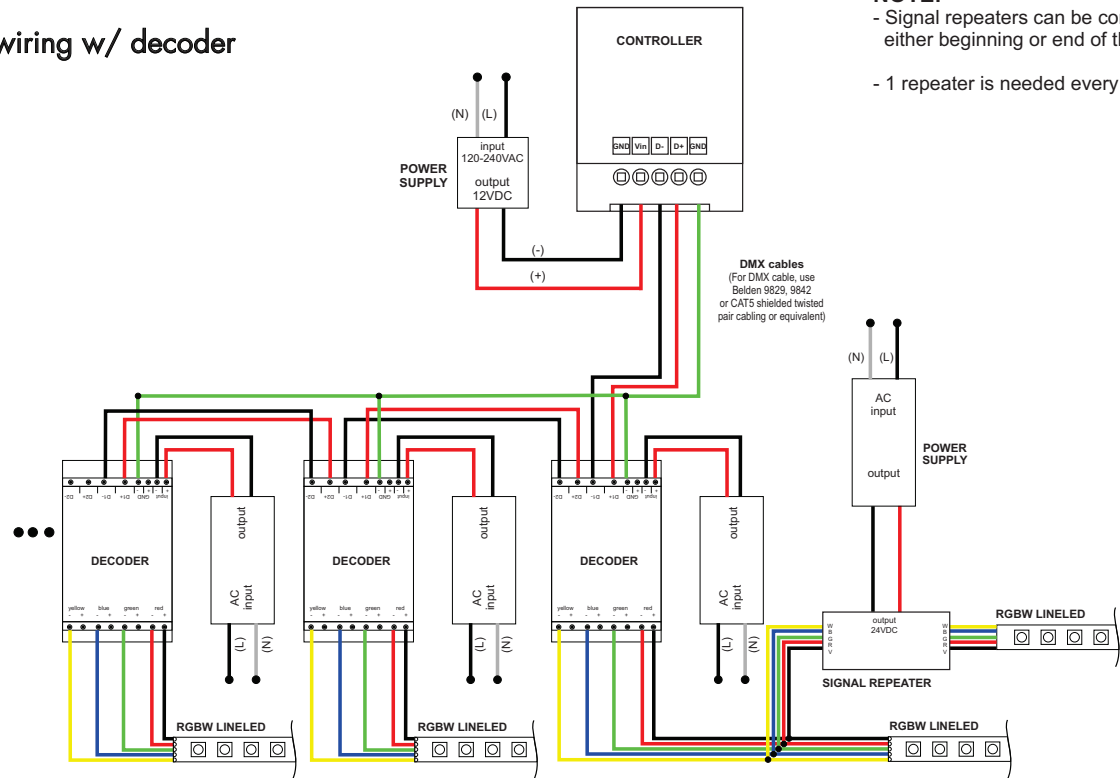
**Operating temperature range**

from -4°F to +122°F in case

# System Diagram

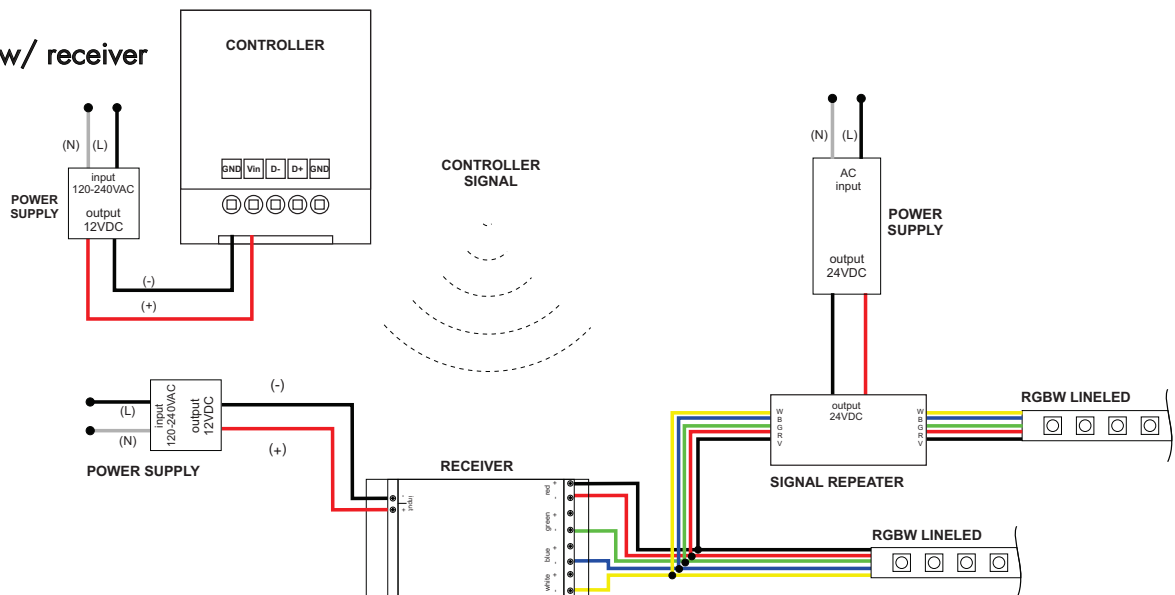
All parts sold separately

## wiring w/ decoder



- NOTE:**
- Signal repeaters can be connected to either beginning or end of the LineLED run.
  - 1 repeater is needed every 96 watts.

## wiring w/ receiver



- NOTE:**
- Signal repeaters can be connected to either beginning or end of the LineLED run.
  - 1 repeater is needed every 96 watts.